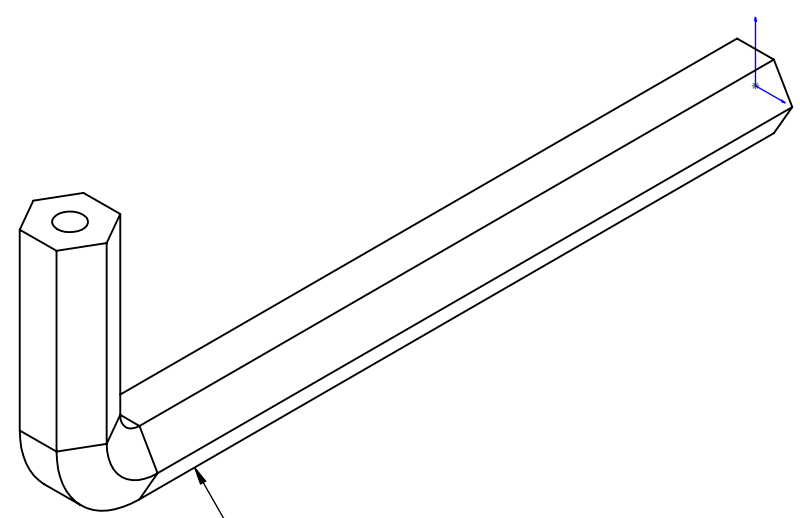
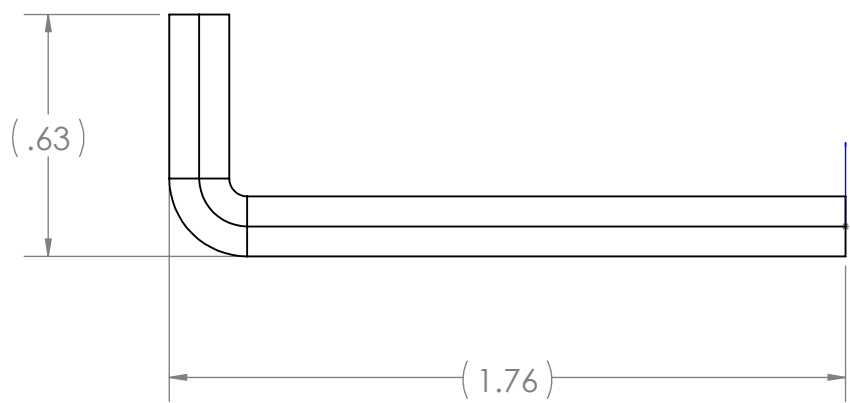
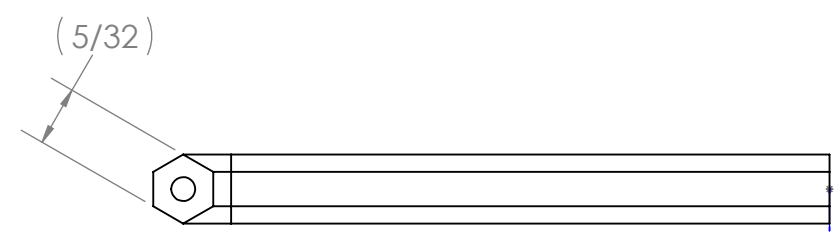


8 7 6 5 4 3 2 1

D
C
B
A



**LOCKING STAND
ADJUSTMENT WRENCH**




D
C
B
A

THE INFORMATION CONTAINED IN THIS DRAWING IS THE SOLE PROPERTY OF HAVIS AND REPRODUCTION IN PART OR IN WHOLE WITHOUT THE WRITTEN PERMISSION OF HAVIS IS PROHIBITED.



CUSTOMER VERIFICATION AND AUTHORIZATION

REV. A	FIRST PRODUCTION RELEASE	4/6/16	AZM	
REV.	DESCRIPTION	DATE	BY	CHK'D
DRAWN A. MCLAUGHLIN				
DATE	4/6/2016			
CUSTOMER APPROVAL (SIGNATURE REQUIRED):		TITLE TOOL, 5/32" TAMPER RESISTANT, TO ADJUST HARDWARE ON THE LOCKING STANDS		
DATE	SIZE B	DWG. NO. 367-1046	REV. A	SHEET 1 OF 1

8 7 6 5 4 3 2 1