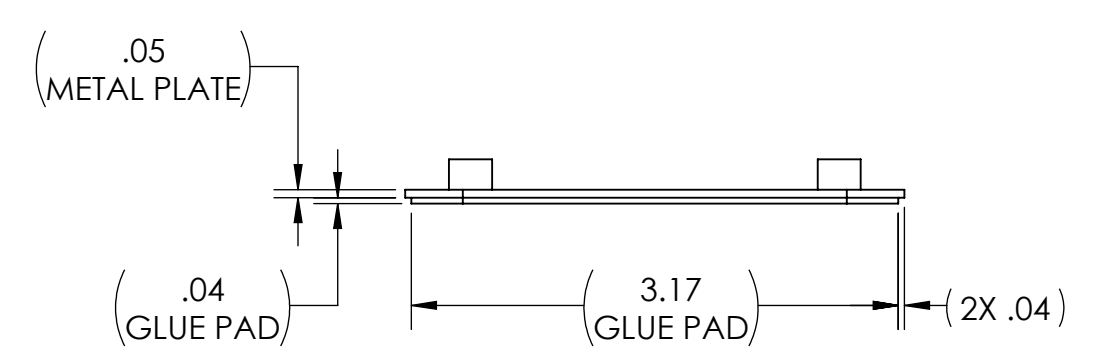


TOP VIEW



THE INFORMATION CONTAINED IN THIS DRAWING IS THE SOLE PROPERTY OF HAVIS AND REPRODUCTION IN PART OR IN WHOLE WITHOUT THE WRITTEN PERMISSION OF HAVIS IS PROHIBITED.

HAVIS

CUSTOMER VERIFICATION AND AUTHORIZATION

B	CHANGED SIZE OF GLUE PAD	08/5/13	JEB	JGC
A	RELEASE FOR PROTOTYPE	10/17/12	JGC	
REV.	DESCRIPTION	DATE	BY	CHK'D
DRAWN	J. CHRISTOPHERSON			
DATE	10/17/12			
CUSTOMER APPROVAL (SIGNATURE REQUIRED):	HAVIS			
DATE	TITLE	GLUE PAD SYSTEM, FOR ENS2554 CENTER HOLE SWIVEL SQUARE BASE		
SIZE	DWG. NO.	367-2569	REV.	B
			SHEET 1 OF 1	