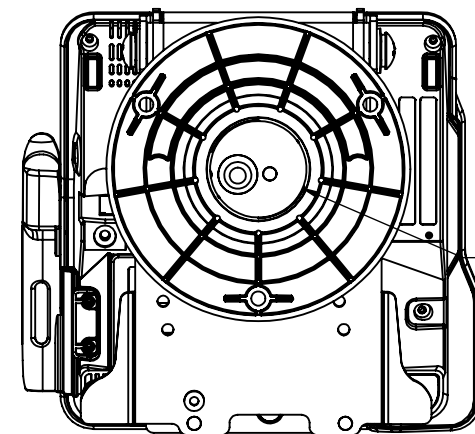
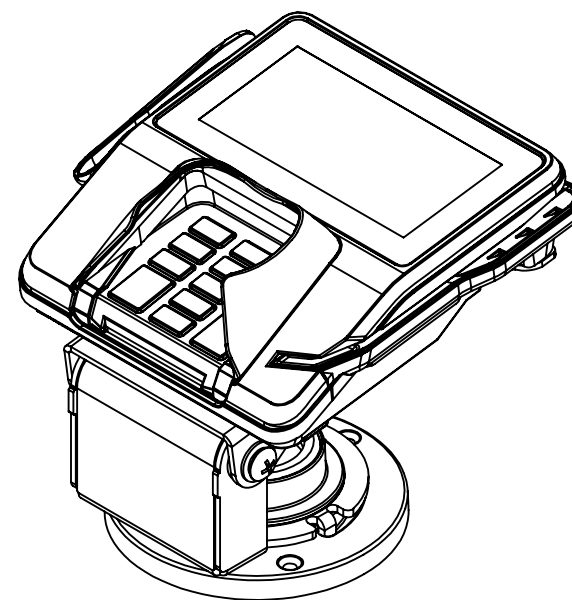
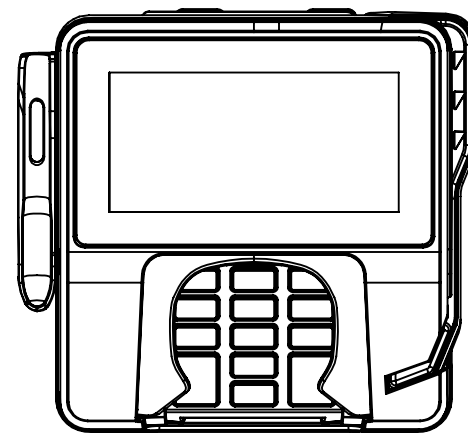
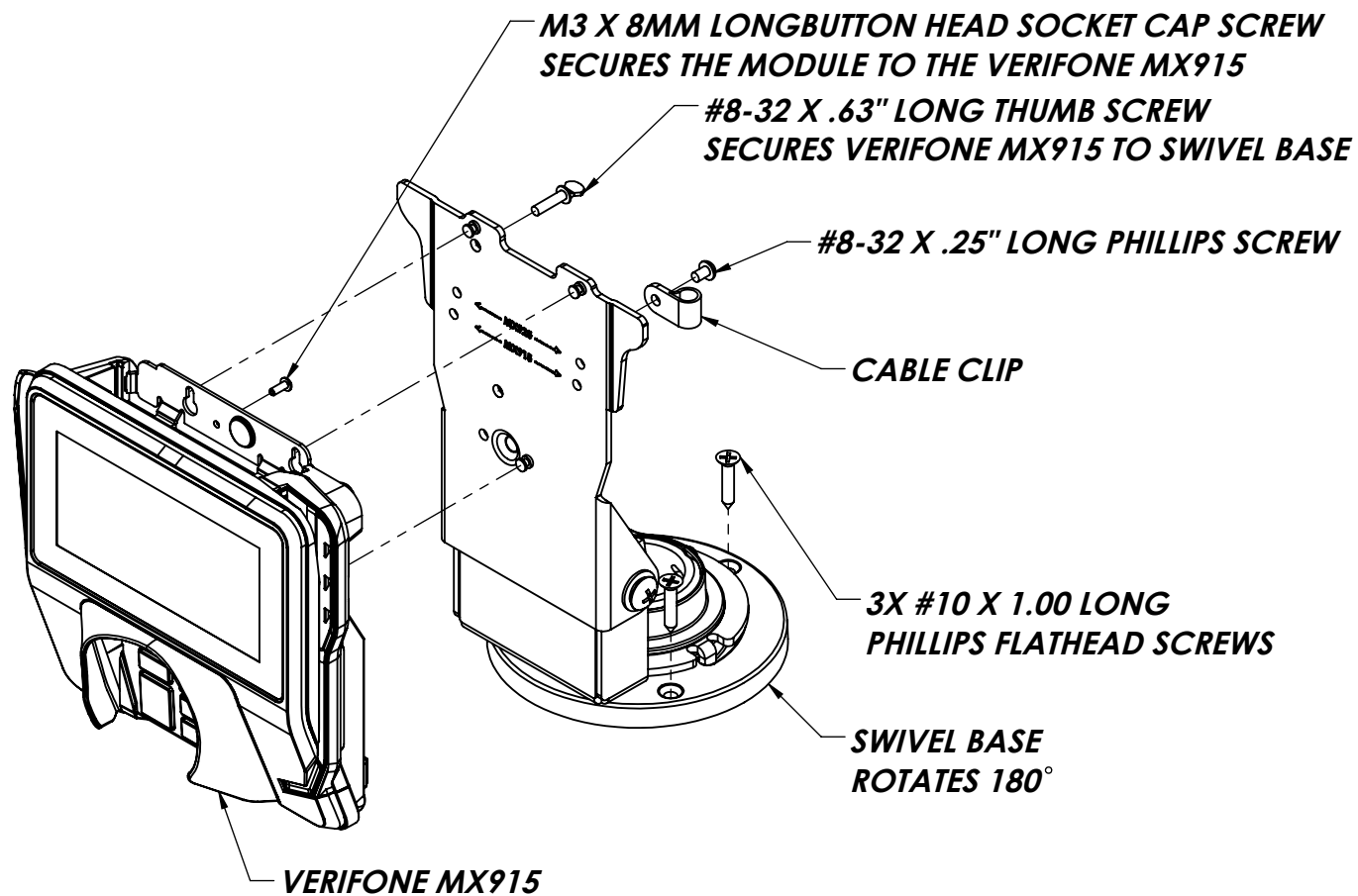
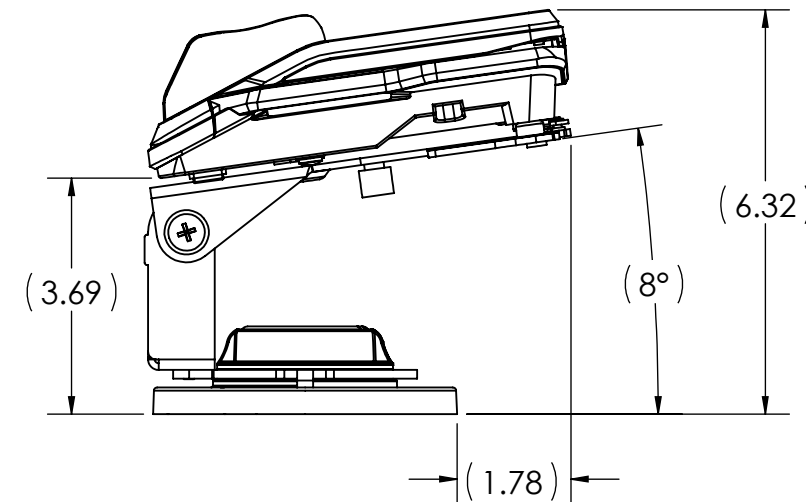
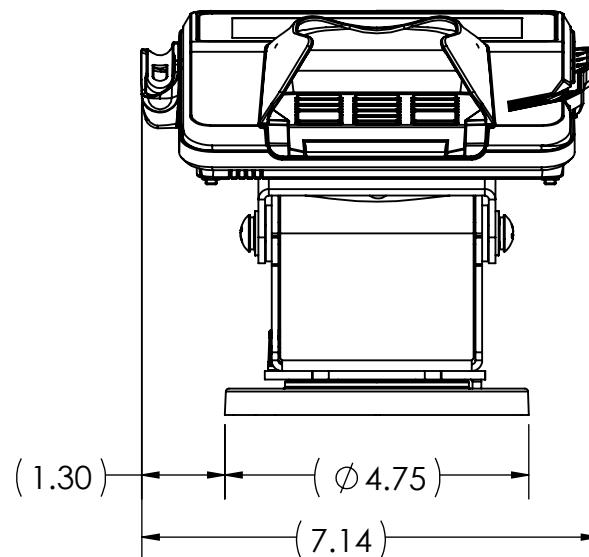
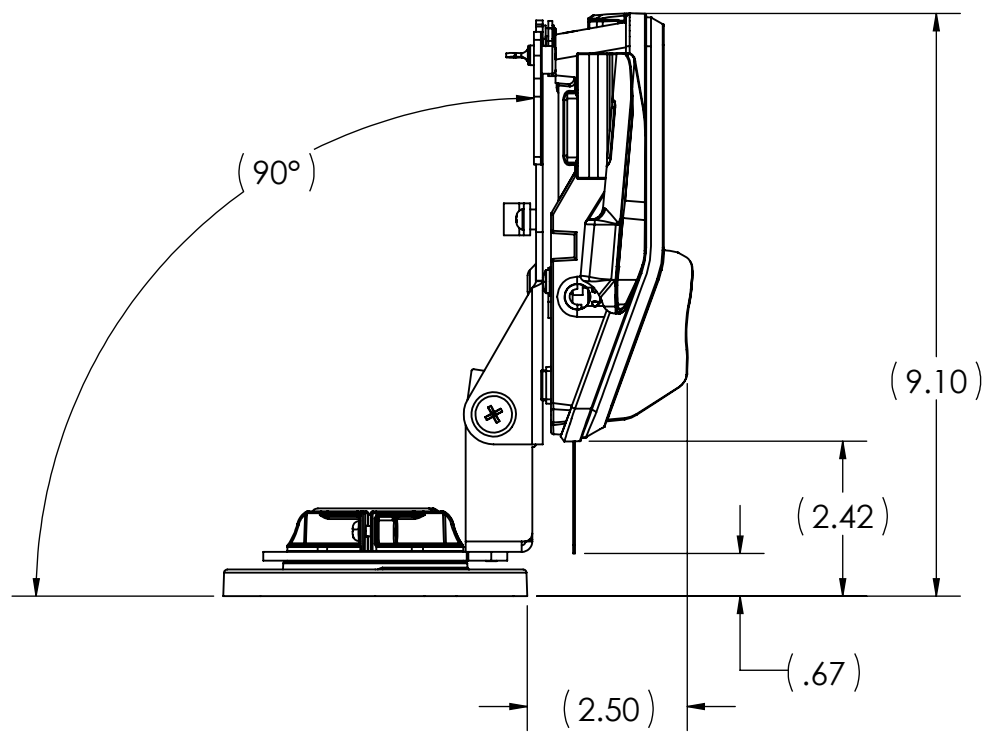


8 7 6 5 4 3 2 1

SHEET 1
(SEE SHEET 2 FOR MX925 DETAILS)



Ø 1.51
(CABLE EXIT/ENTRY)



CUSTOMER APPROVAL
(SIGNATURE REQUIRED):

SHEET 1 OF 1

DWG. NO. 367-3213
REV. B
DRAWN J. BROWN
DATE 12/12/2014

TITLE
LOW CONTOUR STAND 8-90 DEGS CENTER
HOLE SWIVEL SMART CARD CLEARANCE
VERIFONE MX915/MX925/M424/M425

HAVIS
SHEET 1 OF 2

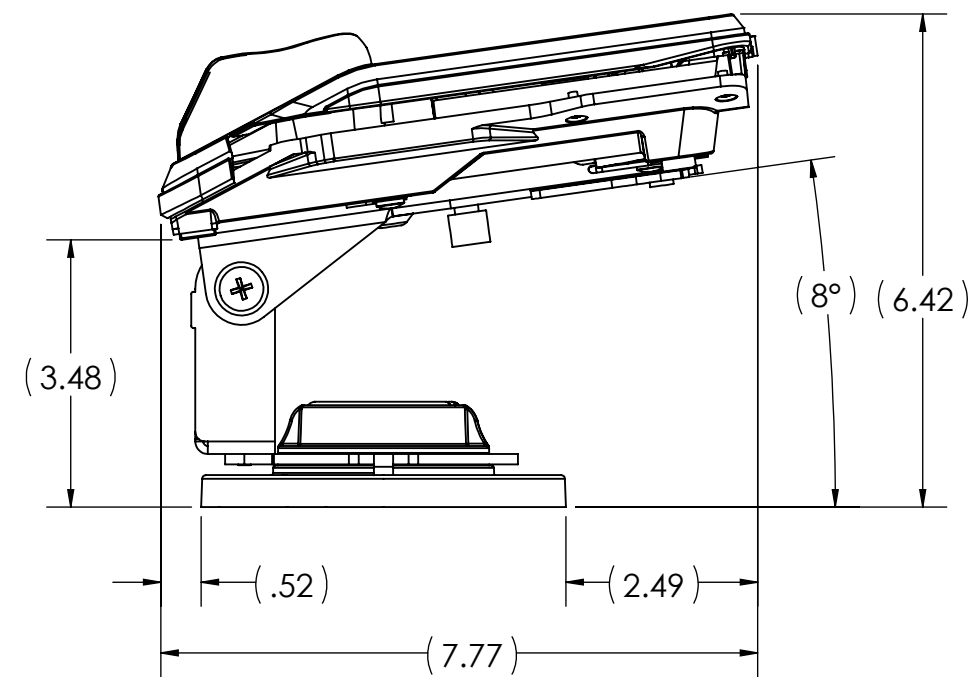
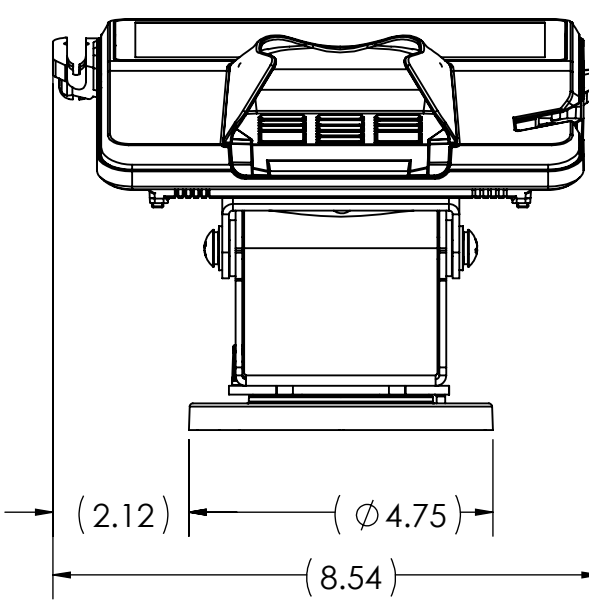
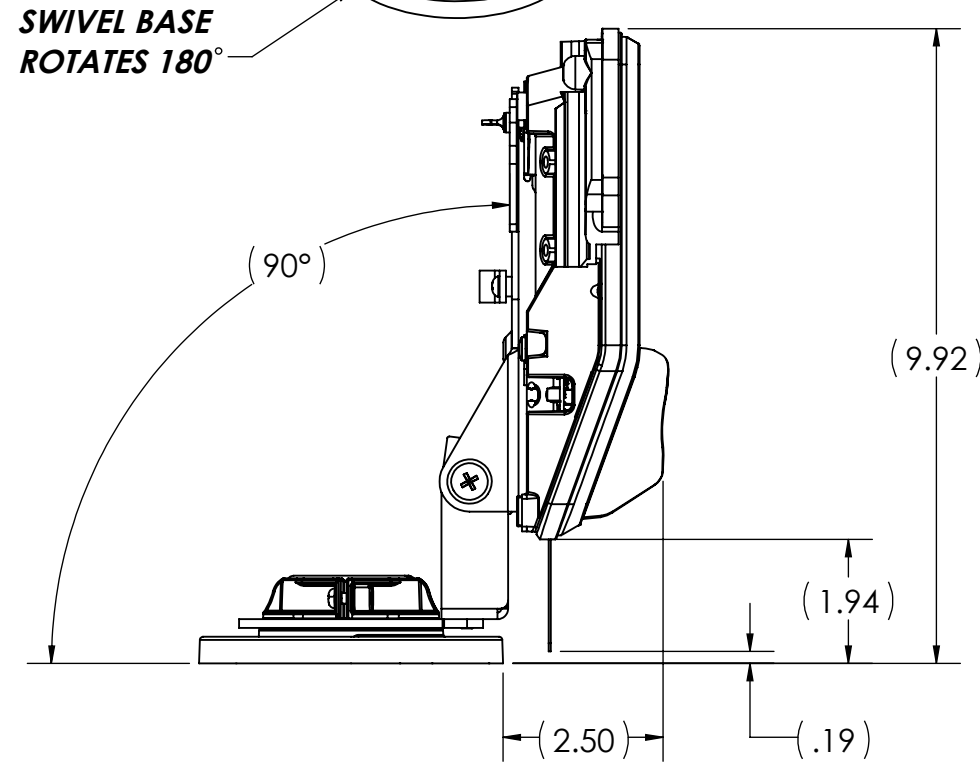
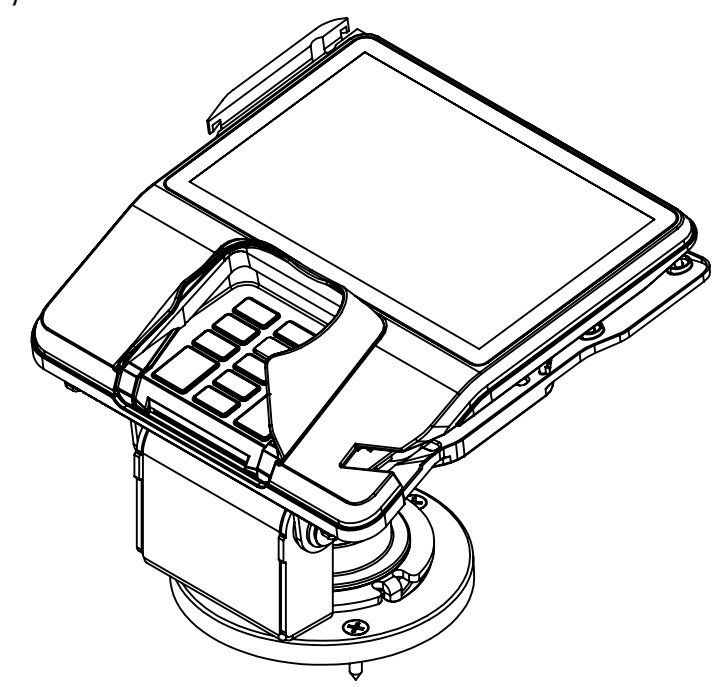
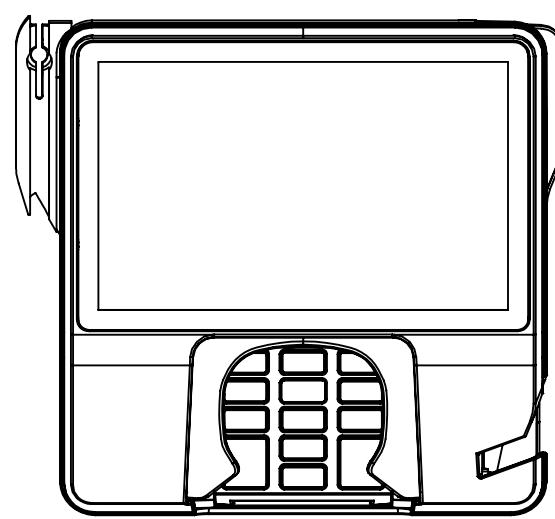
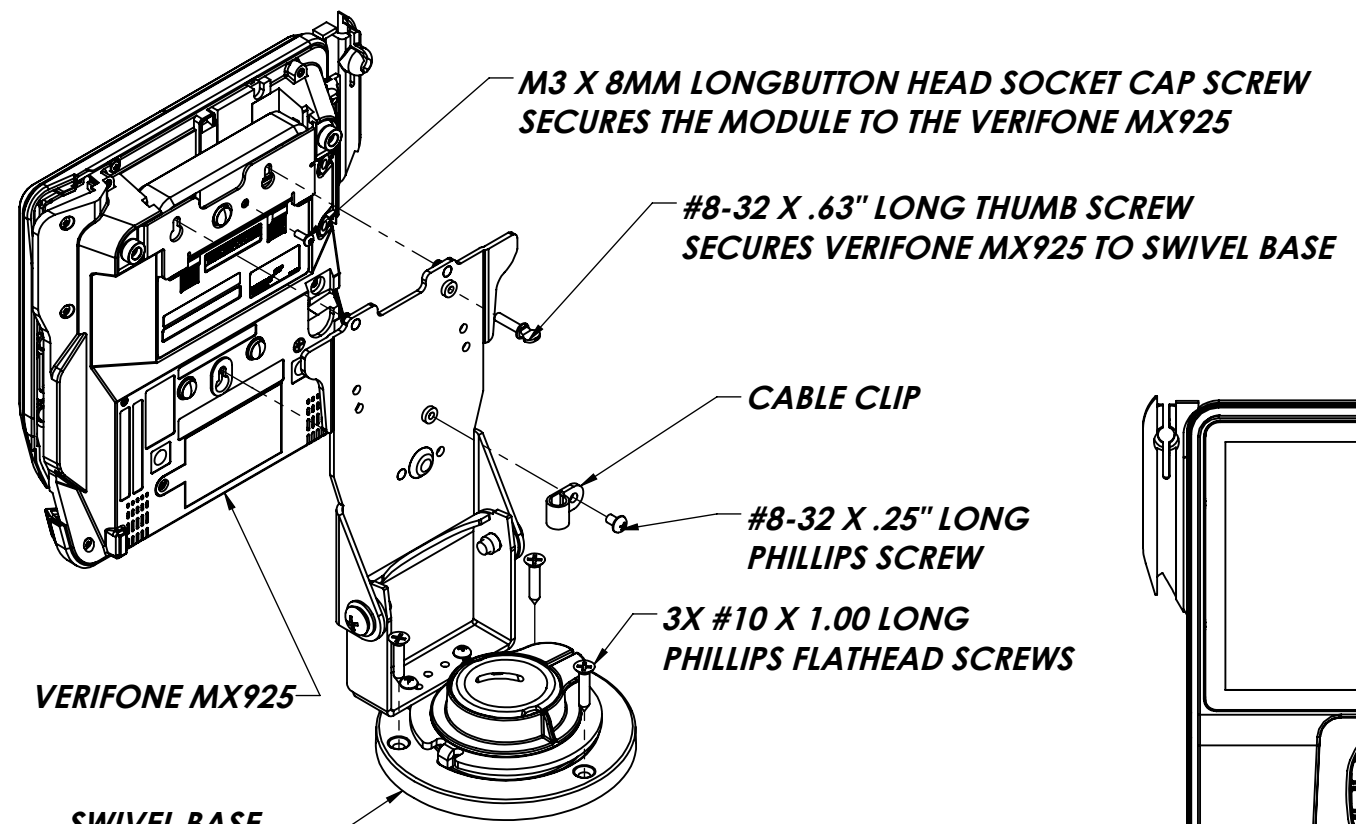
REVISIONS				
REV	DESCRIPTION	DATE	BY	CHK'D
B	REVISED PIVOT MOUNT ASSEMBLY FOR IMPROVED PIVOTING PERFORMANCE	06/20/16	JEB	SCB

CUSTOMER VERIFICATION

8 7 6 5 4 3 2 1

SHEET 2

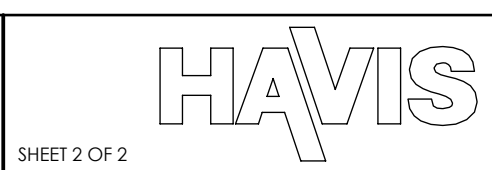
(SEE SHEET 1 FOR MX915 DETAILS)



CUSTOMER APPROVAL
(SIGNATURE REQUIRED):

DWG. NO. **367-3213**
 REV. **B**
 DRAWN **J. BROWN**
 DATE **12/12/2014**

TITLE
**LOW CONTOUR STAND 8-90 DEGS CENTER
 HOLE SWIVEL SMART CARD CLEARANCE
 VERIFONE MX915/MX925/M424/M425**



REVISIONS				
REV	DESCRIPTION	DATE	BY	CHK'D
B	SEE SHEET 1	06/20/16	JEB	SCB

SHEET 1 OF 1

SHEET 2 OF 2

CUSTOMER VERIFICATION