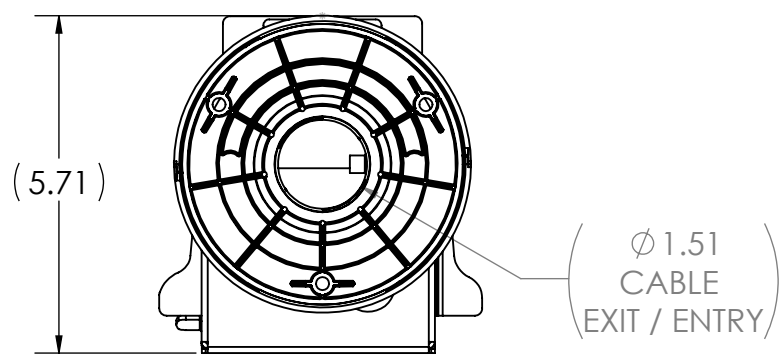
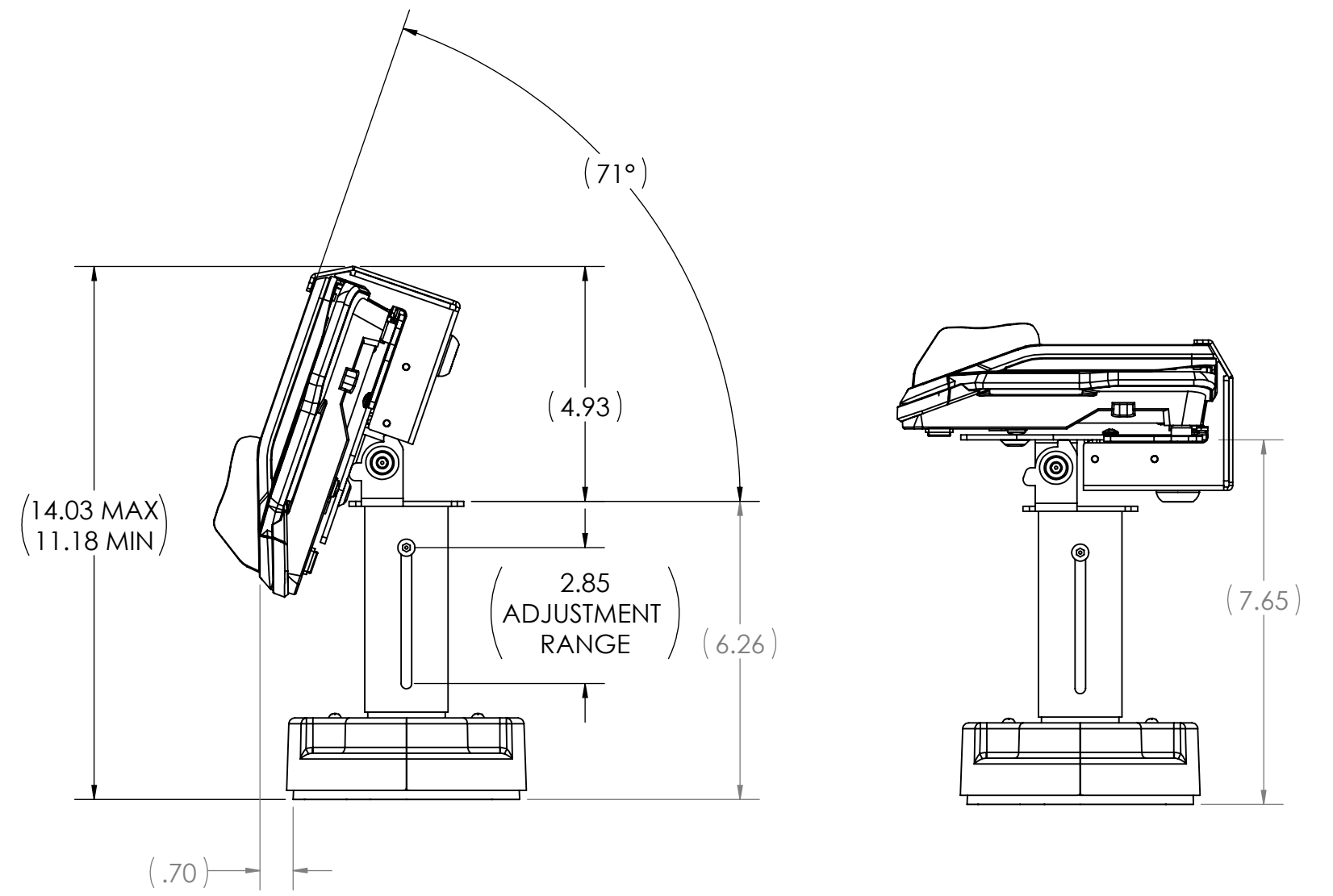
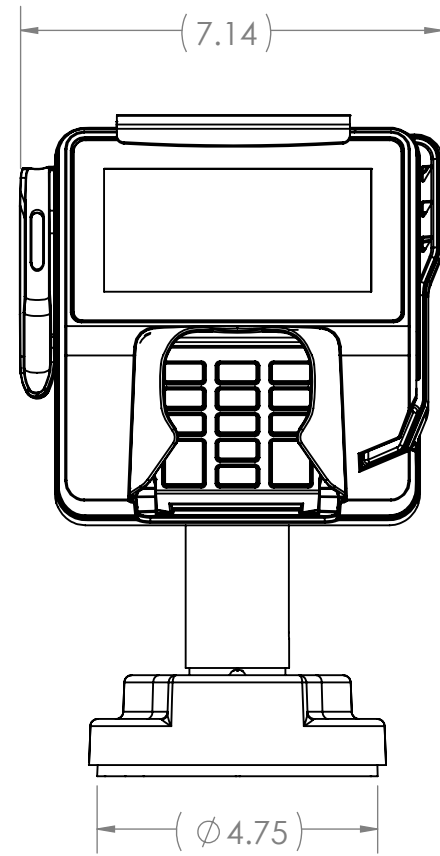
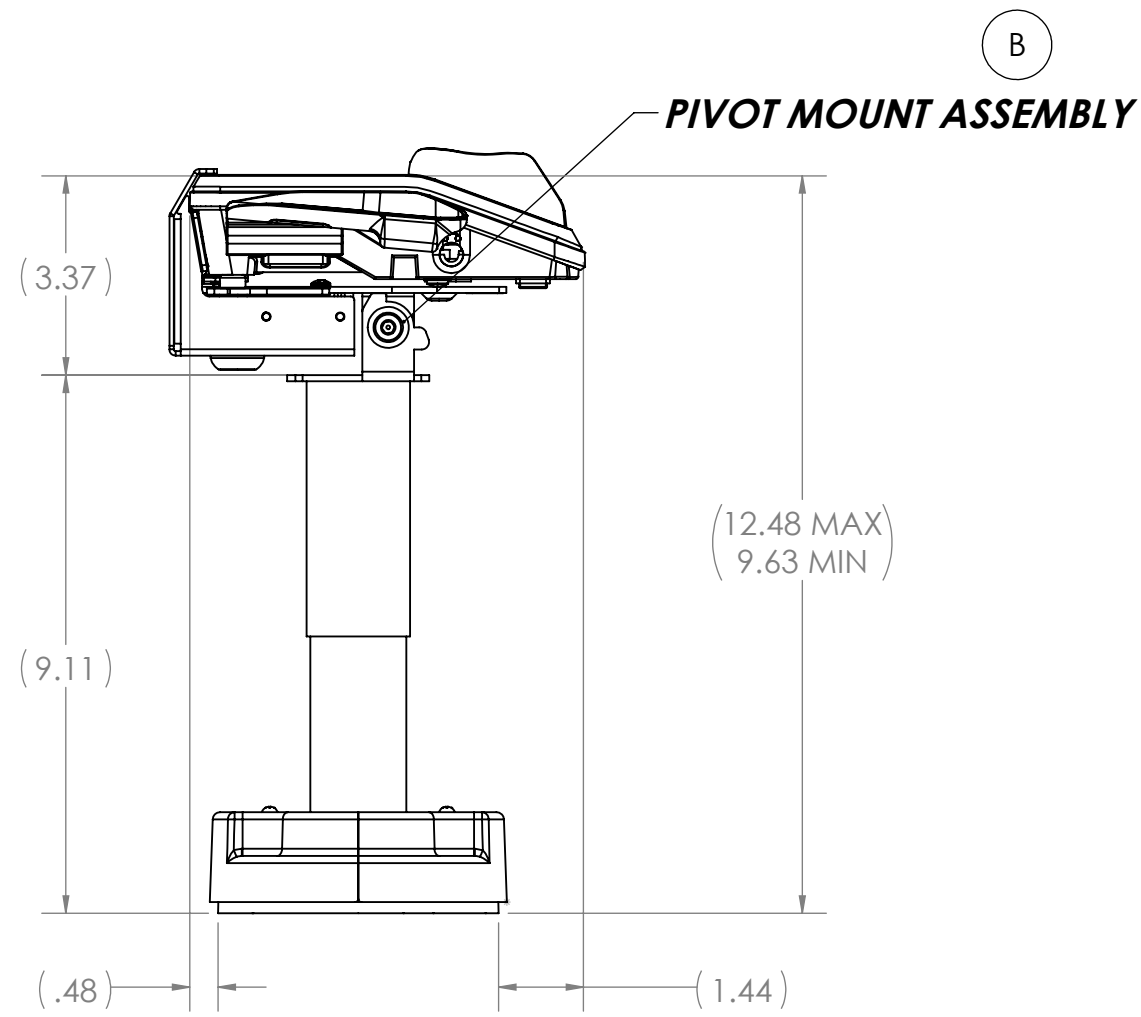
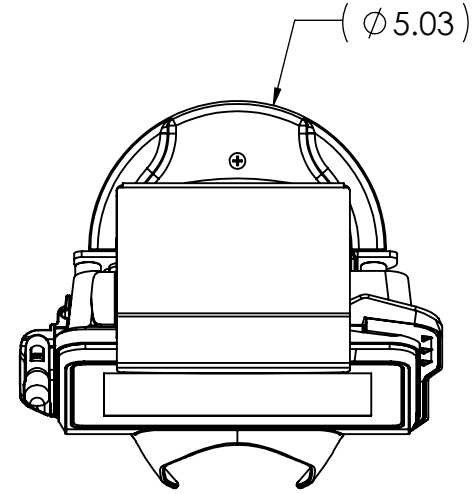


REVISION B CHANGES = (B)
(1 CHANGE NOTED ON DRAWING)



ROHS COMPLIANT

THE INFORMATION CONTAINED IN THIS DRAWING IS THE SOLE PROPERTY OF HAVIS AND REPRODUCTION IN PART OR IN WHOLE WITHOUT THE WRITTEN PERMISSION OF HAVIS IS PROHIBITED.



CUSTOMER VERIFICATION AND AUTHORIZATION

B	REVISED PIVOT MOUNT ASSEMBLY FOR IMPROVED PIVOTING PERFORMANCE	6/20/16	JEB	SCB
A	RELEASE FOR PROTOTYPE	2/16/15	ZAG	SY
REV.	DESCRIPTION	DATE	BY	CHK'D
DRAWN Z. GRAGE		HAVIS		
DATE 2/16/2015		TITLE		
CUSTOMER APPROVAL (SIGNATURE REQUIRED):		TELESCOPING STAND, LOCKING WITH ANTI-SKIMMING, VERIFONE MX915		
DATE	SIZE C	DWG. NO. 367-3217	REV. B SHEET 1 OF 1	