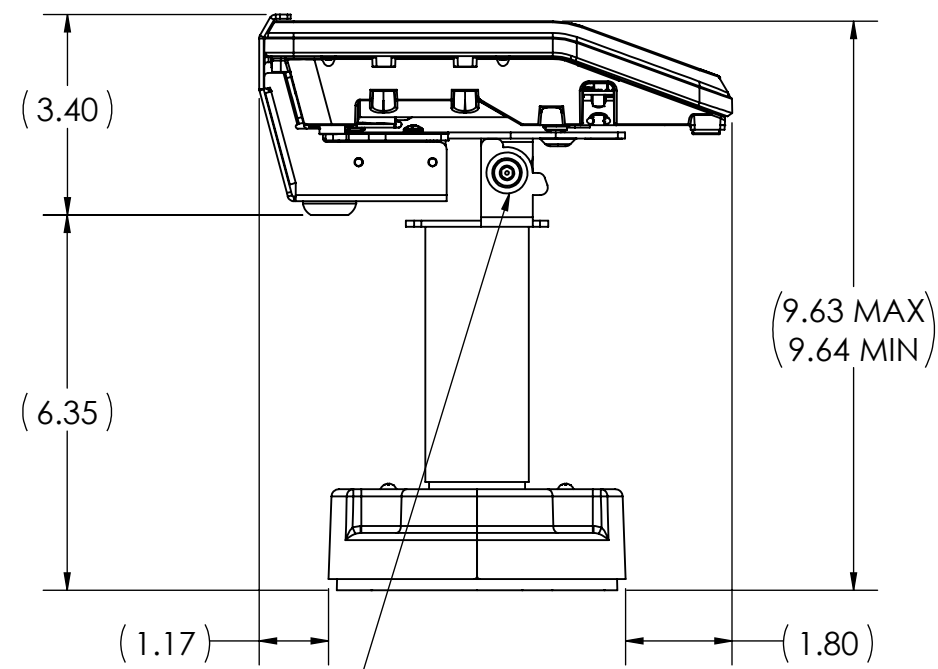
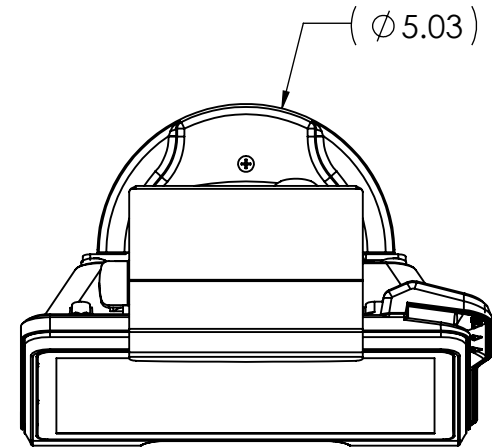
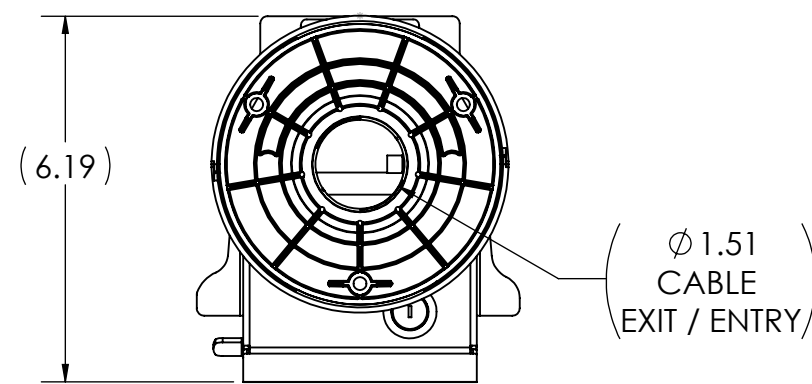
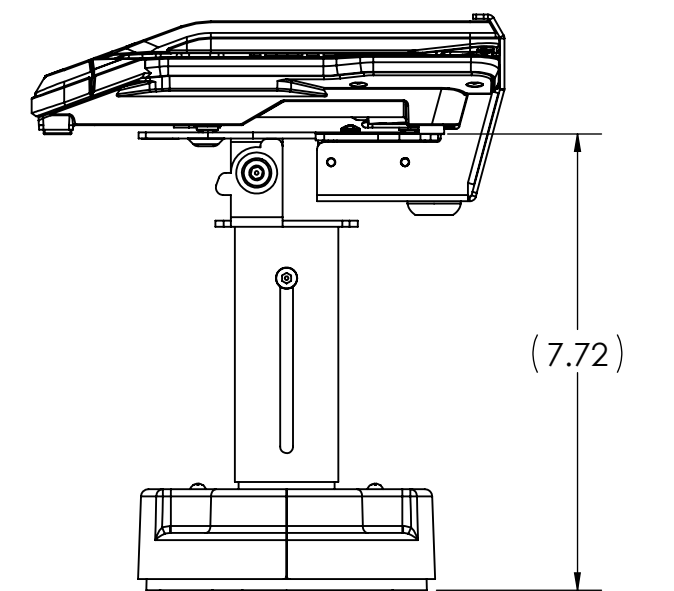
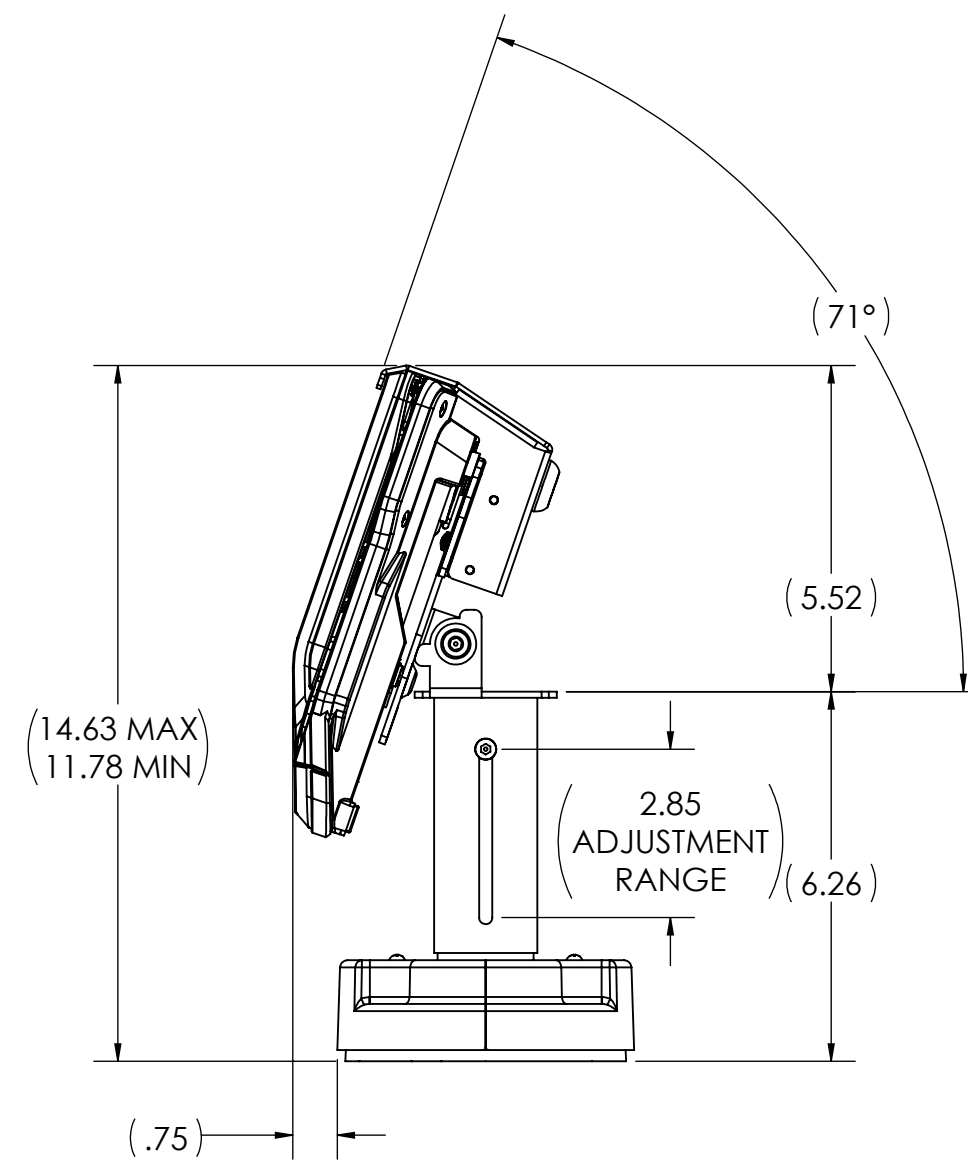
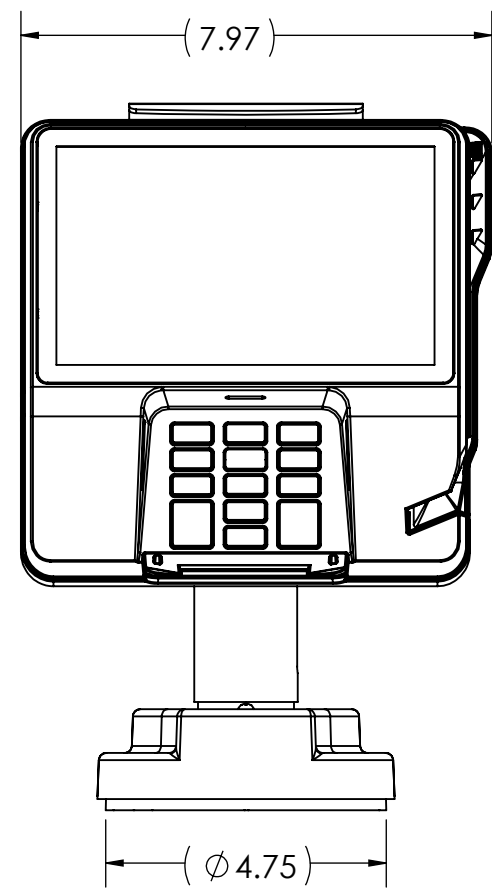


REVISION B CHANGES = **B**

(1 CHANGE NOTED ON DRAWING)



PIVOT MOUNT ASSEMBLY **B**



ROHS COMPLIANT

THE INFORMATION CONTAINED IN THIS DRAWING IS THE SOLE PROPERTY OF HAVIS AND REPRODUCTION IN PART OR IN WHOLE WITHOUT THE WRITTEN PERMISSION OF HAVIS IS PROHIBITED.



CUSTOMER VERIFICATION AND AUTHORIZATION

B	REVISED PIVOT MOUNT ASSEMBLY FOR IMPROVED PIVOTING PERFORMANCE	6/20/16	SCB	JEB
A	RELEASE PROTOTYPE	12/12/14	ZAG	SY
REV.	DESCRIPTION	DATE	BY	CHK'D
DRAWN Z. GRAGE				
DATE 12/12/2014				
CUSTOMER APPROVAL (SIGNATURE REQUIRED):				
HAVIS				
TITLE: TELESCOPING STAND, LOCKING WITH ANTI SKIMMING, VERIFONE MX925				
DATE	SIZE C	DWG. NO. 367-3218	REV. B SHEET 1 OF 1	