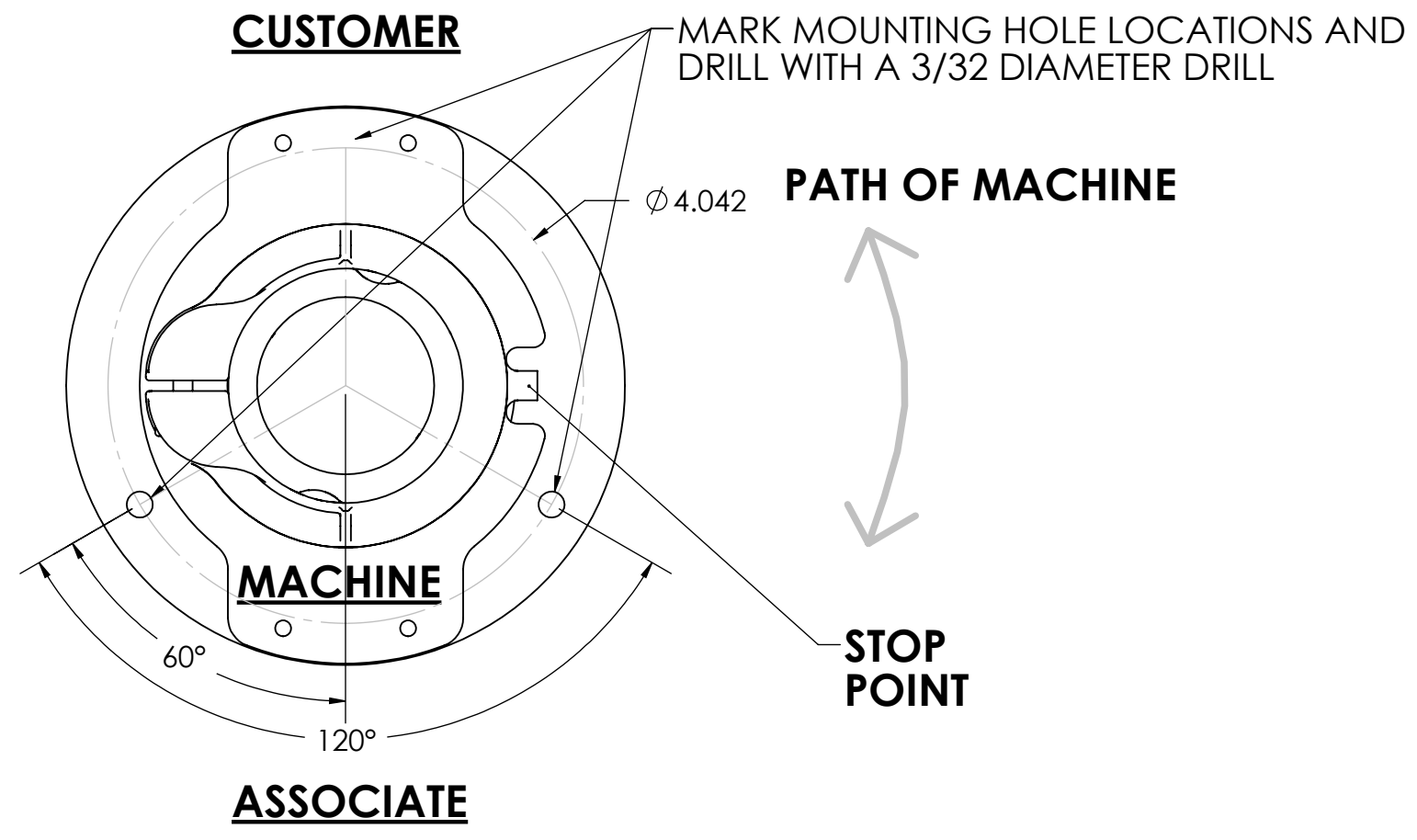
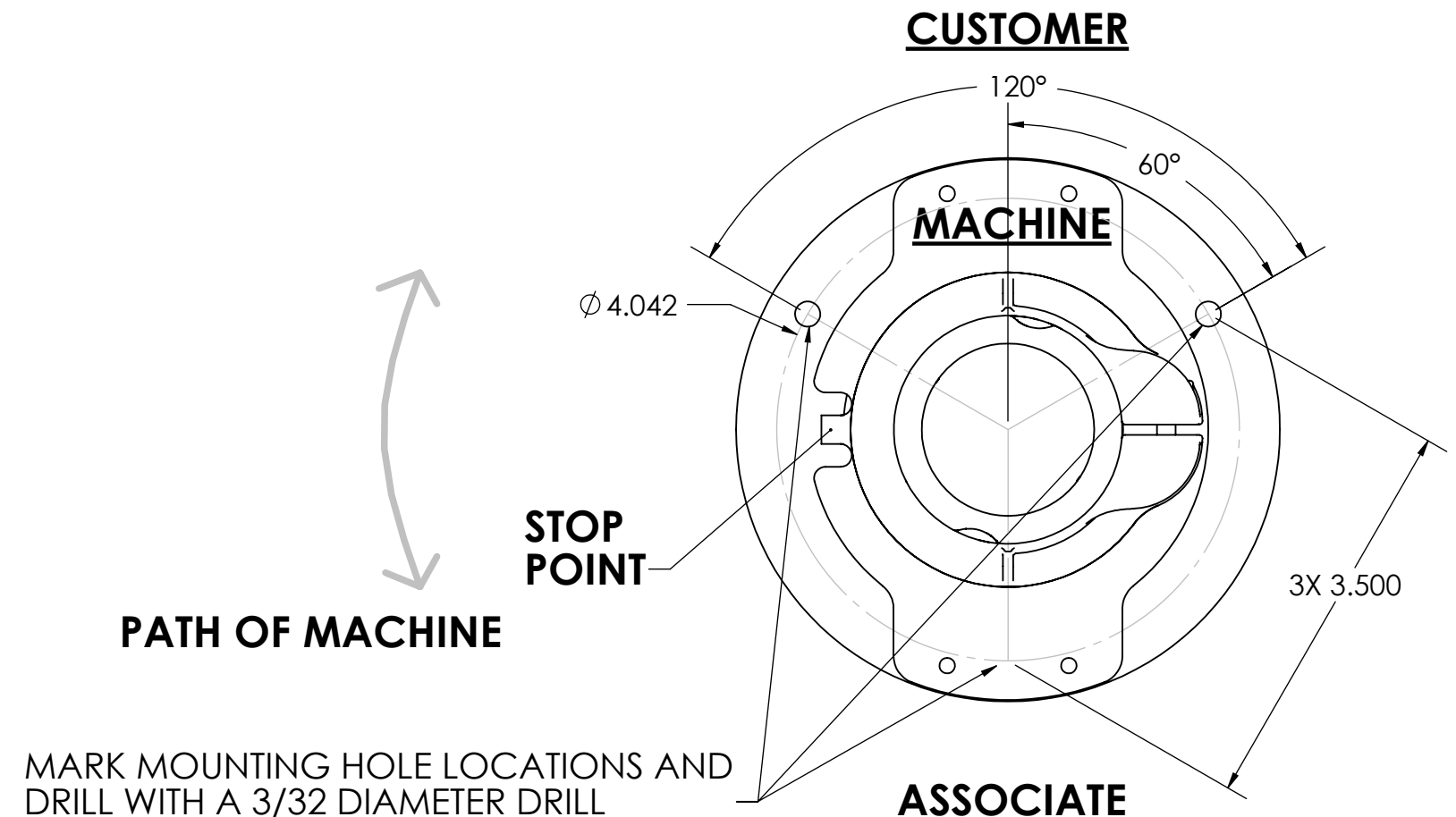


# MOUNTING OPTION #1



# MOUNTING OPTION #2



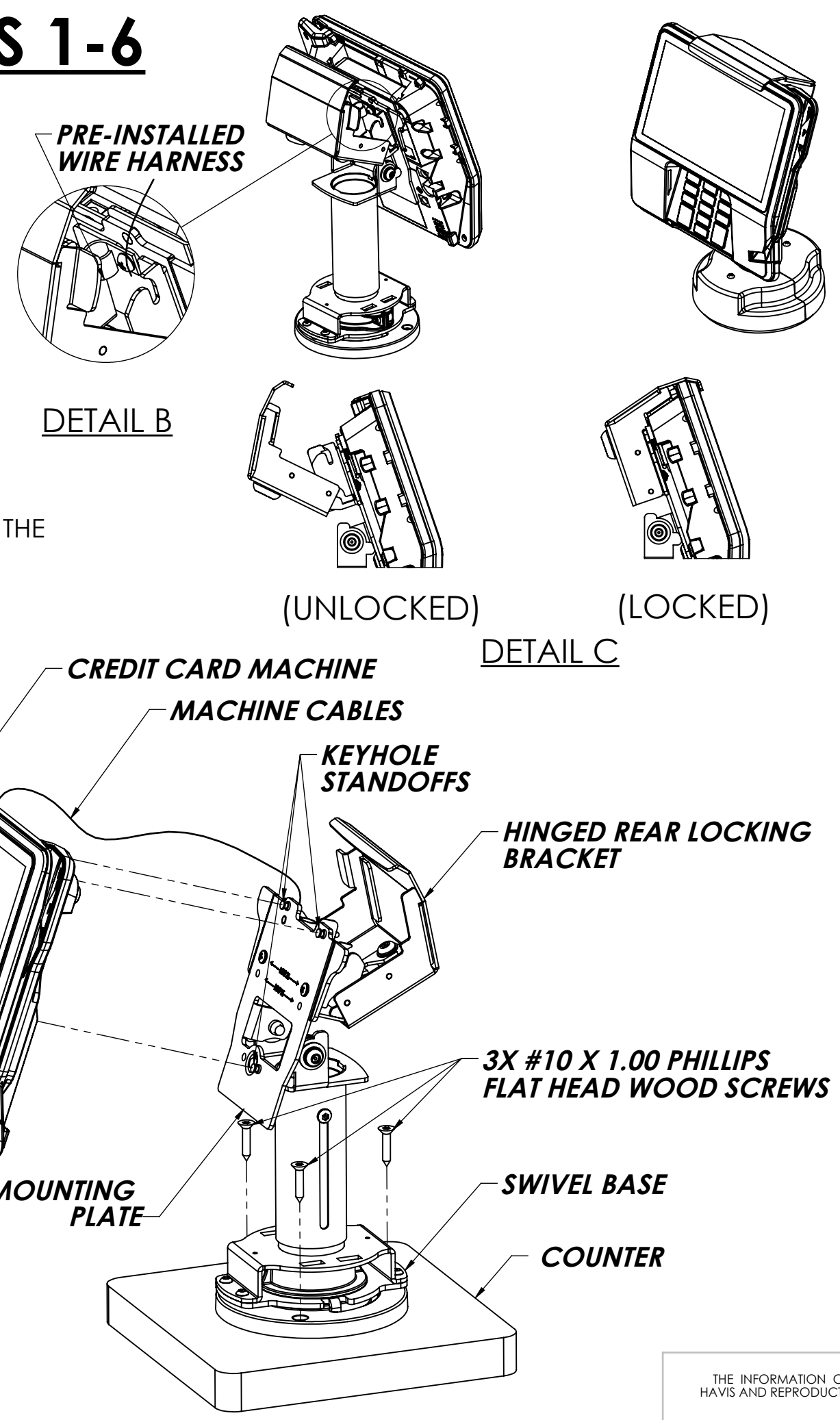
## TOOL LIST:

- #2 PHILLIPS SCREW OR DRILL DRIVER
- 2MM ALLEN WRENCH (PROVIDED)

## STEPS 1-6

### ASSEMBLY STEPS:

- ROTATE THE **SWIVEL BASE** LEFT OR RIGHT TO THE STOP POINT AND THEN COMPARE IT TO THE ILLUSTRATIONS ABOVE TO DETERMINE WHICH WAY YOU WANT IT TO ROTATE.
- ASSEMBLE THE **SWIVEL BASE** TO THE **COUNTER** BY USING **3X #10 X 1.00 PHILLIPS FLAT HEAD WOOD SCREWS** AS SHOWN **MAKING SURE IT IS IN THE CORRECT ORIENTATION BEFORE YOU SCREW IT TO THE COUNTER.**
- INSTALL THE **M3 X 8MM BUTTON HEAD CAP SCREW** TO THE UNDERSIDE OF THE **CREDIT CARD MACHINE**, AS SHOWN IN **DETAIL A.**
- ROUTE THE **MACHINE CABLES** THROUGH THE **PRE-INSTALLED WIRE HARNESS** AS SHOWN IN **DETAIL B.**
- ATTACH THE **CREDIT CARD MACHINE** BY SLIDING IT ONTO THE **KEYHOLE STANDOFFS** AS SHOWN.
- MOVE **HINGED REAR LOCKING BRACKET** INTO PLACE AND LOCK AS SHOWN IN **DETAIL C.**



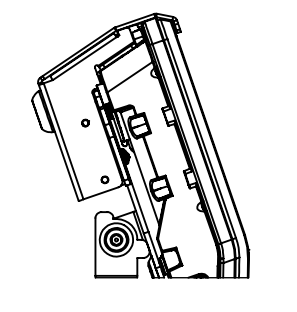
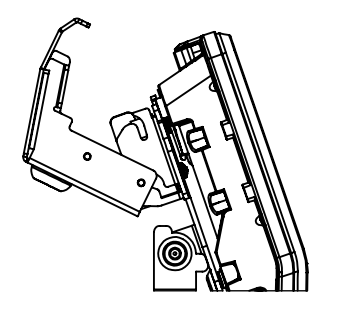
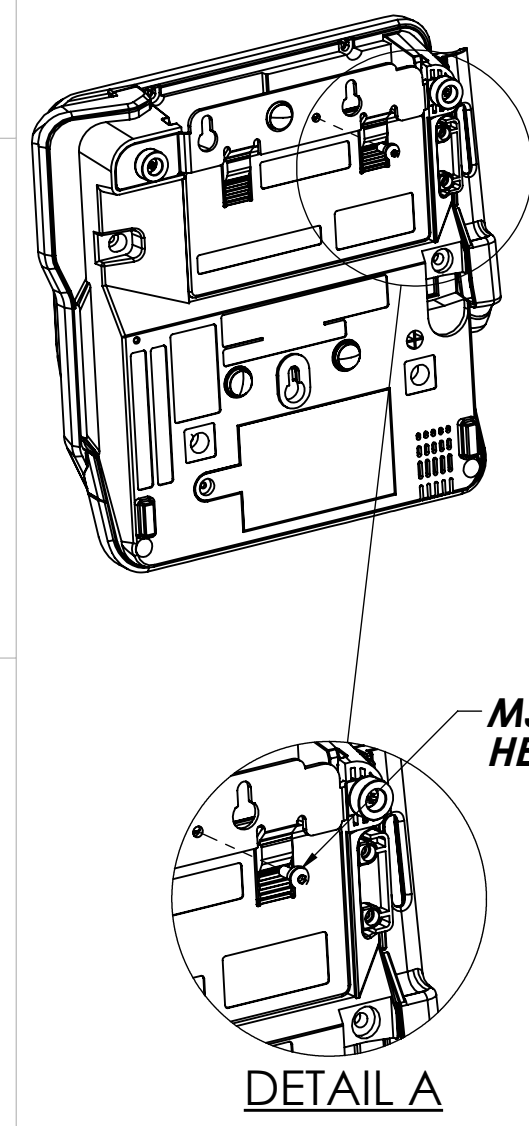
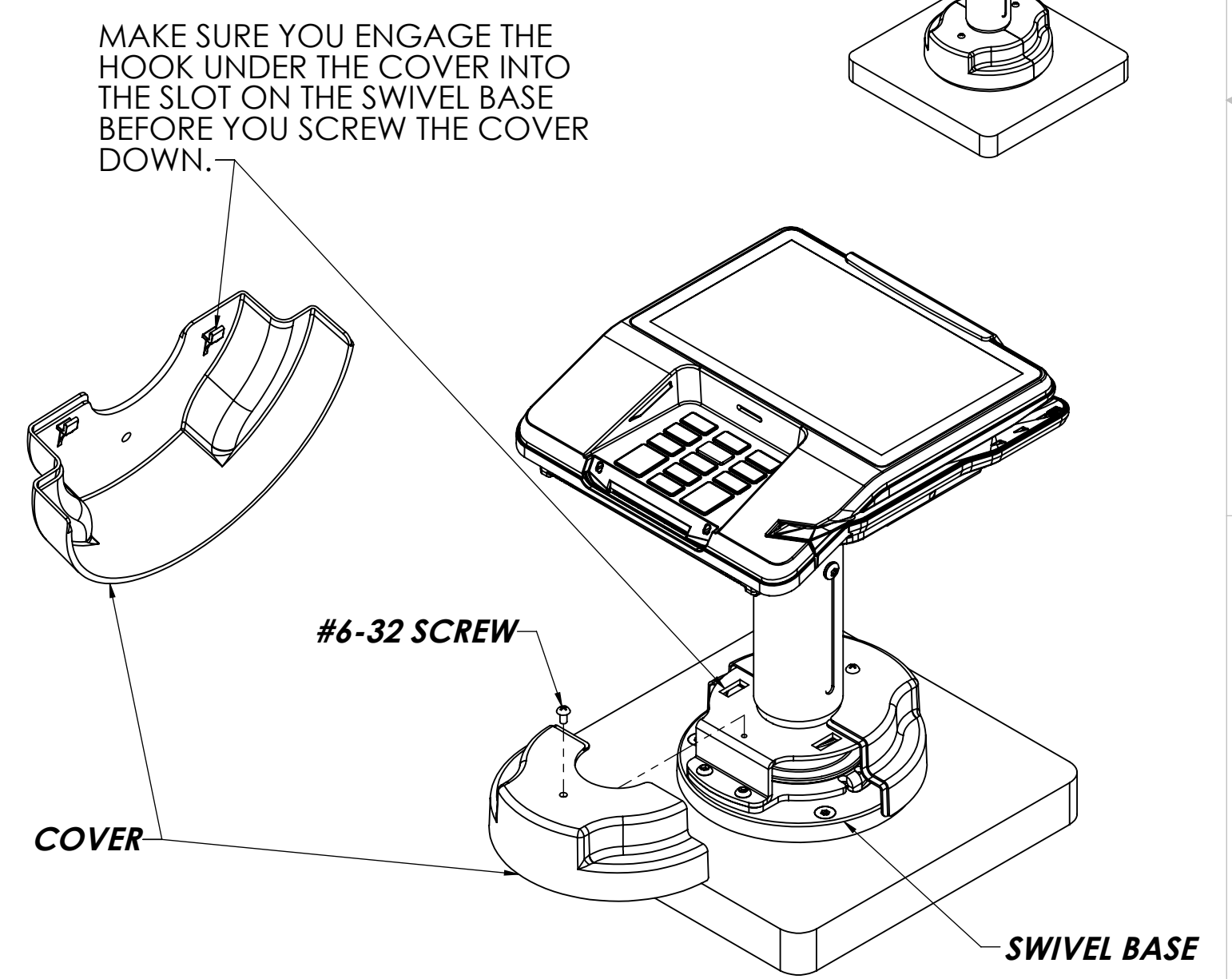
## TOOL LIST:

- #2 PHILLIPS SCREW DRIVER

## STEPS 7-8

### ASSEMBLY STEPS:

- ASSEMBLE THE **COVER** TO THE **SWIVEL BASE** USING A **#6-32 SCREW** AS SHOWN.
- REPEAT ON OTHER SIDE



B		6/20/16	SCB	JEB
REV.	DESCRIPTION	DATE	BY	CHK'D
	Z. GRAGE			
DATE	12/12/2014			
CHECKED				
DATE		TITLE		
DO NOT SCALE DRAWING		CUSTOMER ASSEMBLY, TELESCOPING STAND, LOCKING WITH ANTI SKIMMING, VERIFONE MX925		
MATERIAL	N/A	SIZE	DWG. NO.	REV. B
FINISH	N/A	C	367-3218	SHEET 1 OF 1

THE INFORMATION CONTAINED IN THIS DRAWING IS THE SOLE PROPERTY OF HAVIS AND REPRODUCTION IN PART OR IN WHOLE WITHOUT THE WRITTEN PERMISSION OF HAVIS IS PROHIBITED.