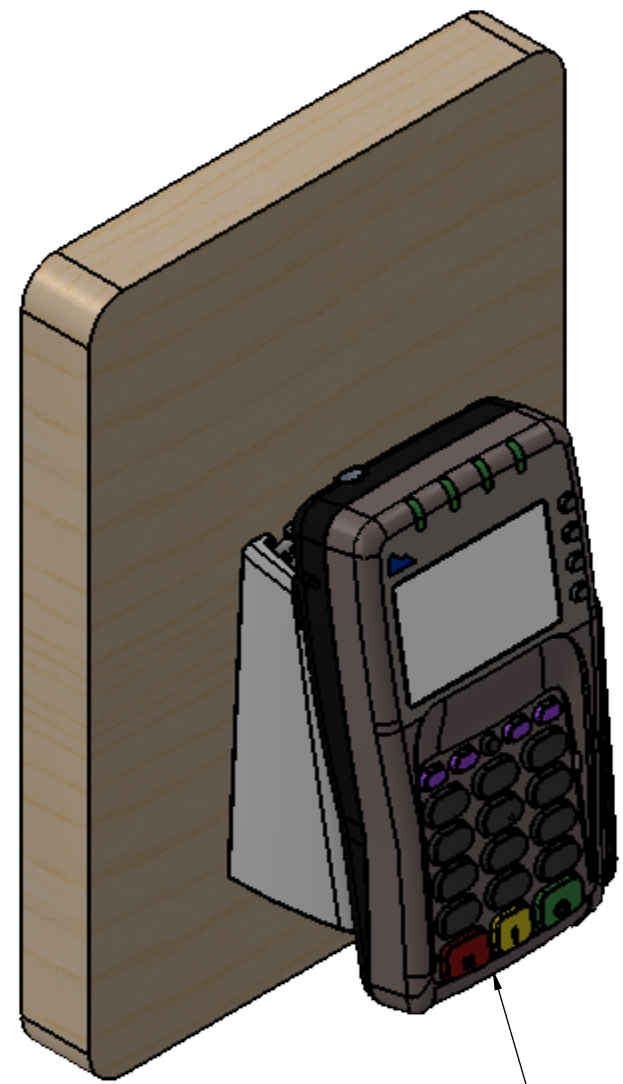
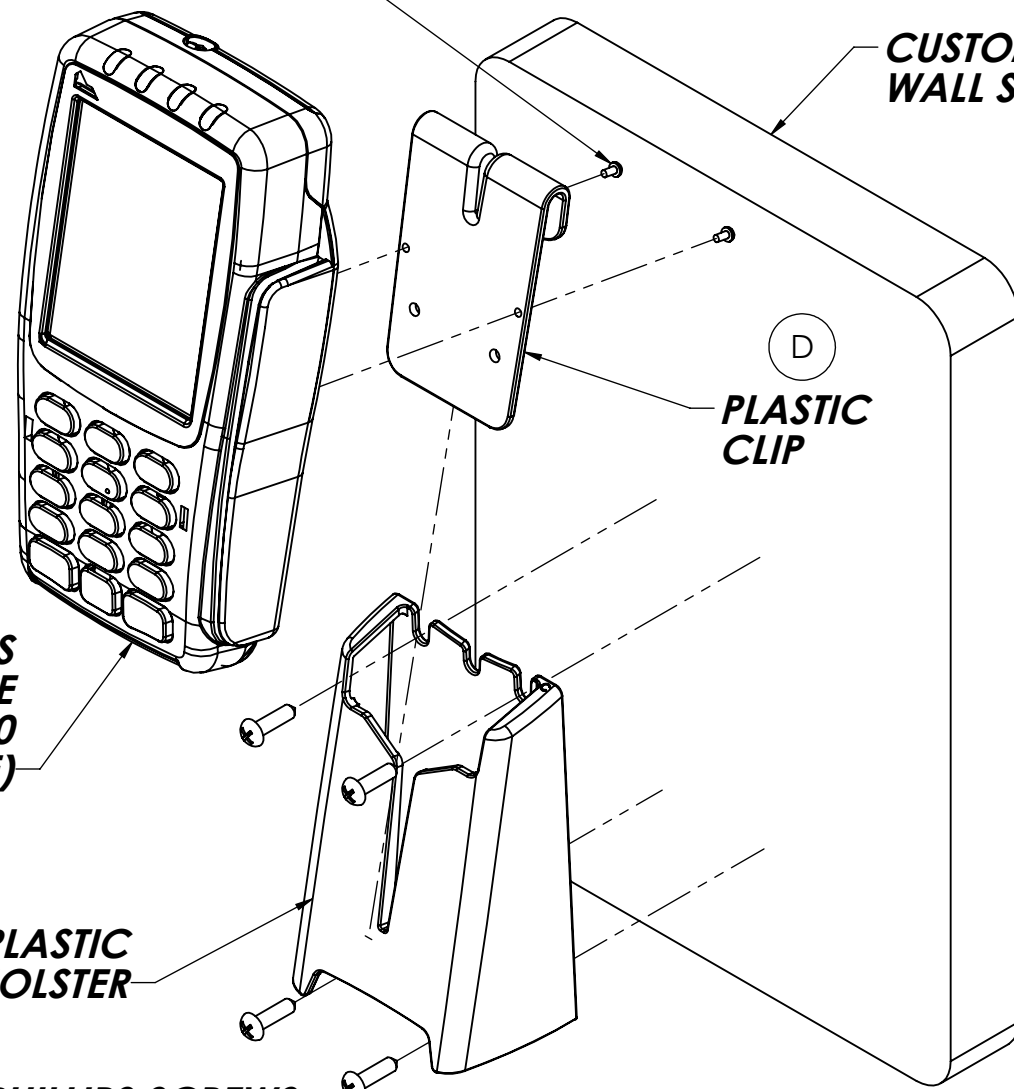


# REVISION D CHANGES = **D** (1 CHANGE NOTED ON DRAWING)



**VERIFONE VX805**

**2X M2 X 4MM PHILLIPS SCREWS  
SECURES CLIP TO CREDIT CARD MACHINE  
(SEE SHEET 2 FOR ADHESIVE PAD ASSEMBLY.  
BOTH OPTIONS PROVIDED.)**



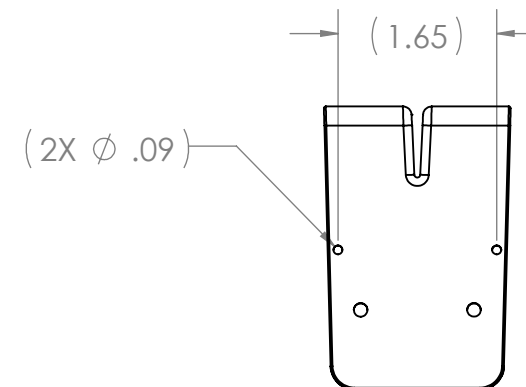
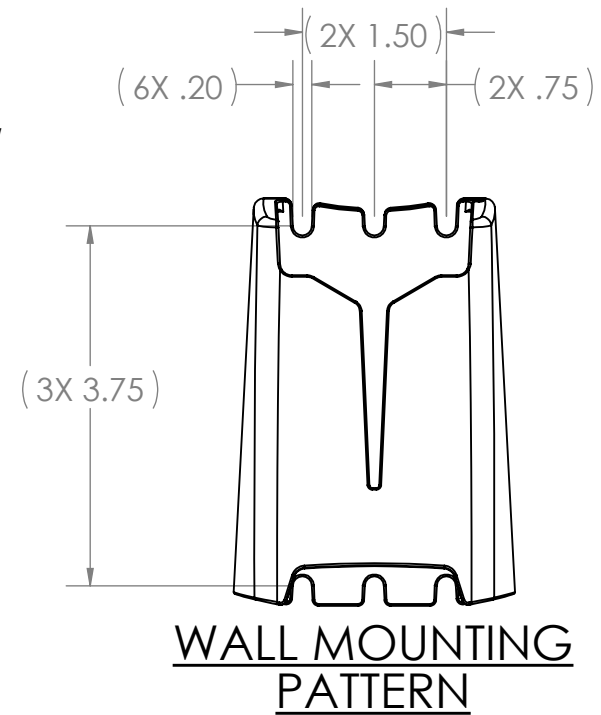
**CUSTOMER'S  
WALL SECTION**

**PLASTIC  
CLIP**

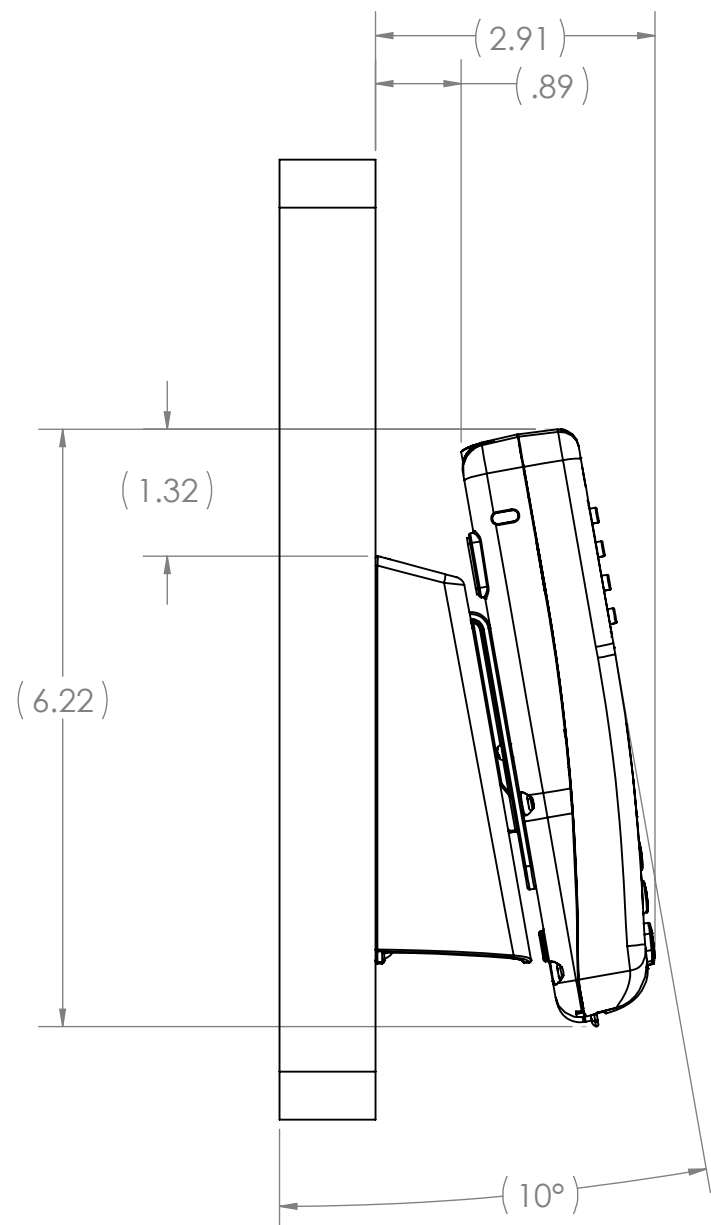
**CUSTOMER'S  
CREDIT CARD MACHINE  
(VERIFONE VX805/VX820  
SHOWN FOR REFERENCE)**

**PLASTIC  
WALL HOLSTER**

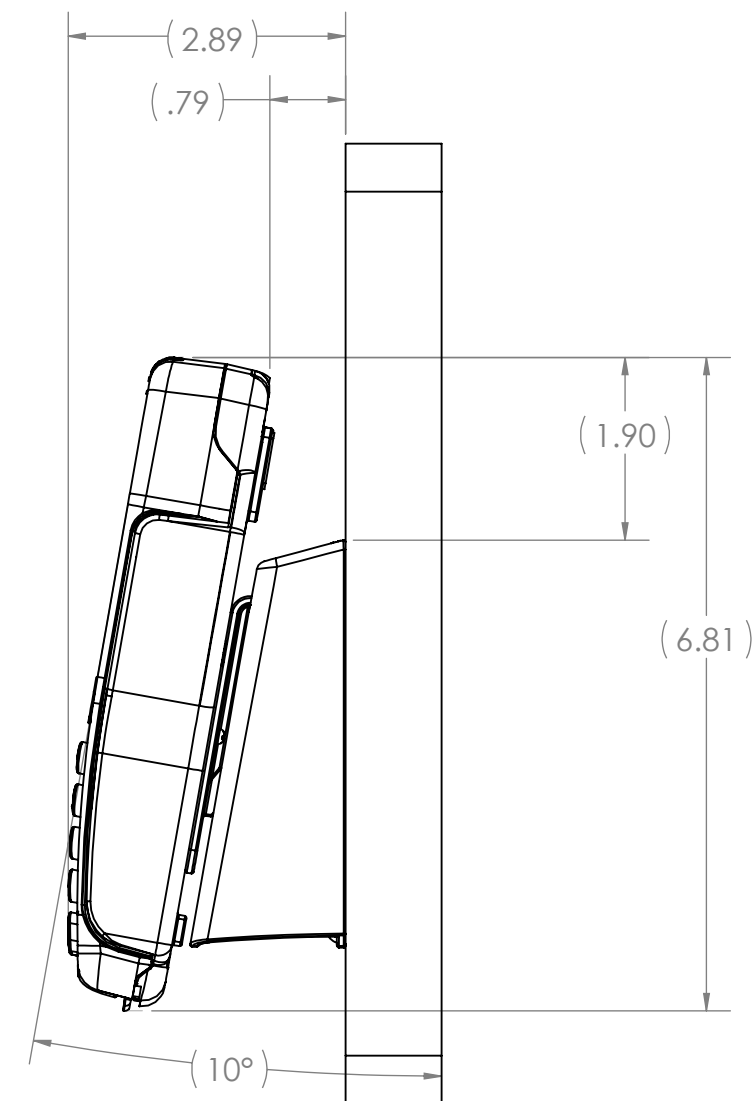
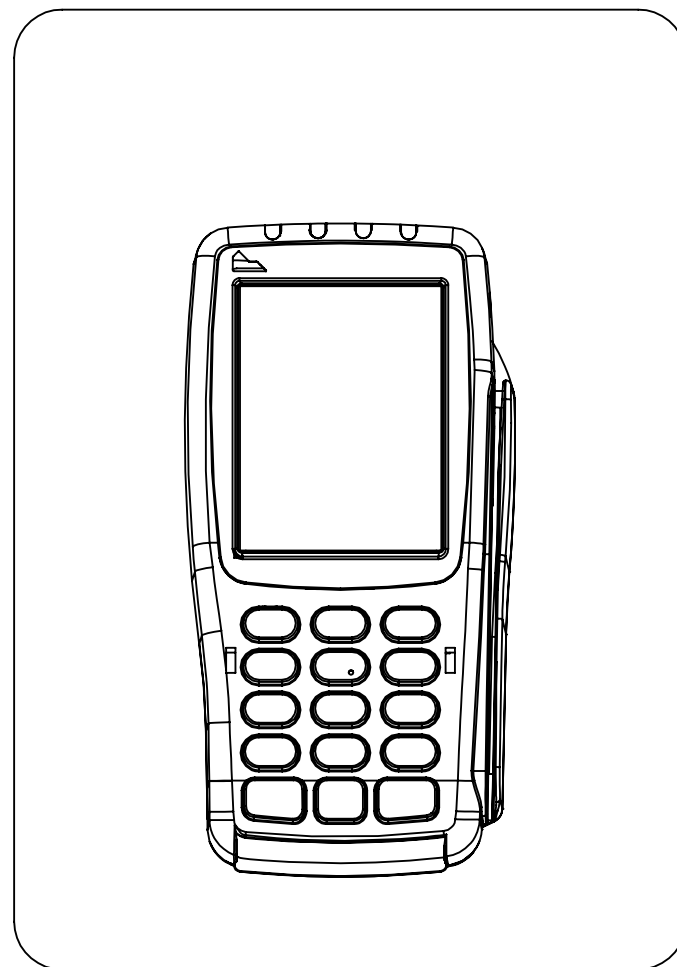
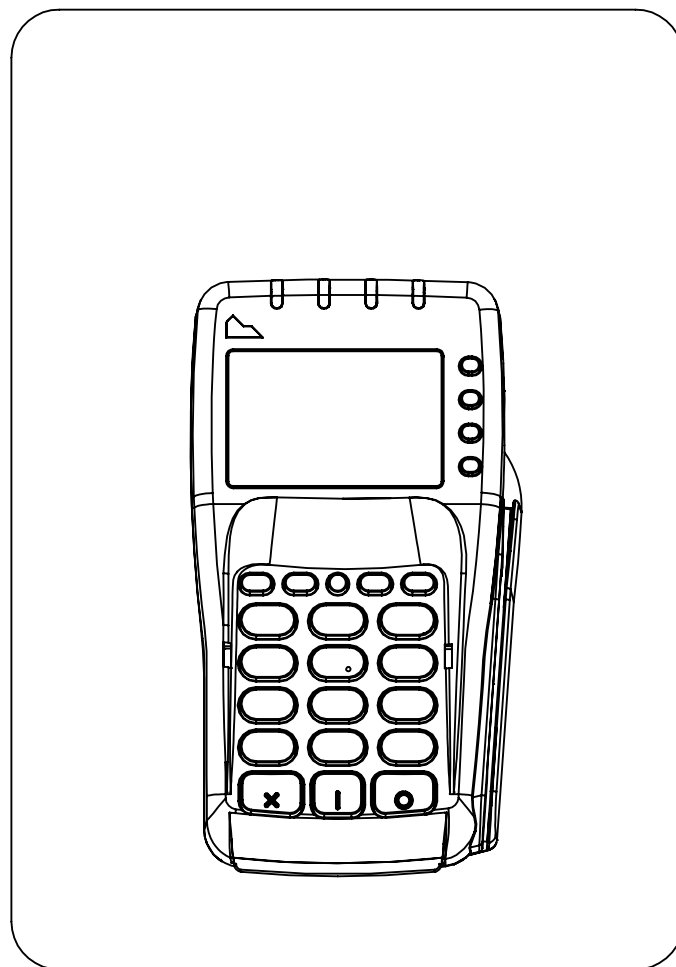
**4X #8 X .63 LONG PHILLIPS SCREWS  
SECURES HOLSTER TO WALL  
(SEE SHEET 2 FOR ADHESIVE PAD ASSEMBLY.  
BOTH OPTIONS PROVIDED.)**



**VERIFONE VX820**



**VERIFONE VX805**



**VERIFONE VX820**

## **SHEET 1**

(SEE SHEET 2 FOR GLUE PAD ASSEMBLY)

THE INFORMATION CONTAINED IN THIS DRAWING IS THE SOLE PROPERTY OF HAVIS AND REPRODUCTION IN PART OR IN WHOLE WITHOUT THE WRITTEN PERMISSION OF HAVIS IS PROHIBITED.  
ALL DIMENSIONS ARE IN INCHES UNLESS STATED OTHERWISE.

**CUSTOMER VERIFICATION AND AUTHORIZATION**



D	REVISED PLASTIC CLIP FOR FIT	09/06/18	JEB	
C	RELEASED FOR PROTOTYPE REVISED HOLSTER AND CLIP FOR BETTER FIT, MOST DIMENSIONS AFFECTED. ADDED SHEET 2 WITH GLUE PAD ASSEMBLY.	06/04/15	SY	ZAG
B	RELEASED FOR PROTOTYPE	05/07/15	SY	ZAG
A	RELEASED FOR PROTOTYPE	03/25/15	SY	AZM
REV.	DESCRIPTION	DATE	BY	CHK'D

DRAWN S. YANG		<b>HAVIS</b>		
DATE	03/02/2015			
CUSTOMER APPROVAL (SIGNATURE REQUIRED):		TITLE WALL HOLSTER, PLASTIC, QUICK-RELEASE WITH ADHESIVE PADS AND MOUNTING SCREWS		
DATE	SIZE C	DWG. NO. 367-3282	REV. D	CHK'D SHEET 1 OF 1

8 7 6 5 4 3 2 1

F E D C B A

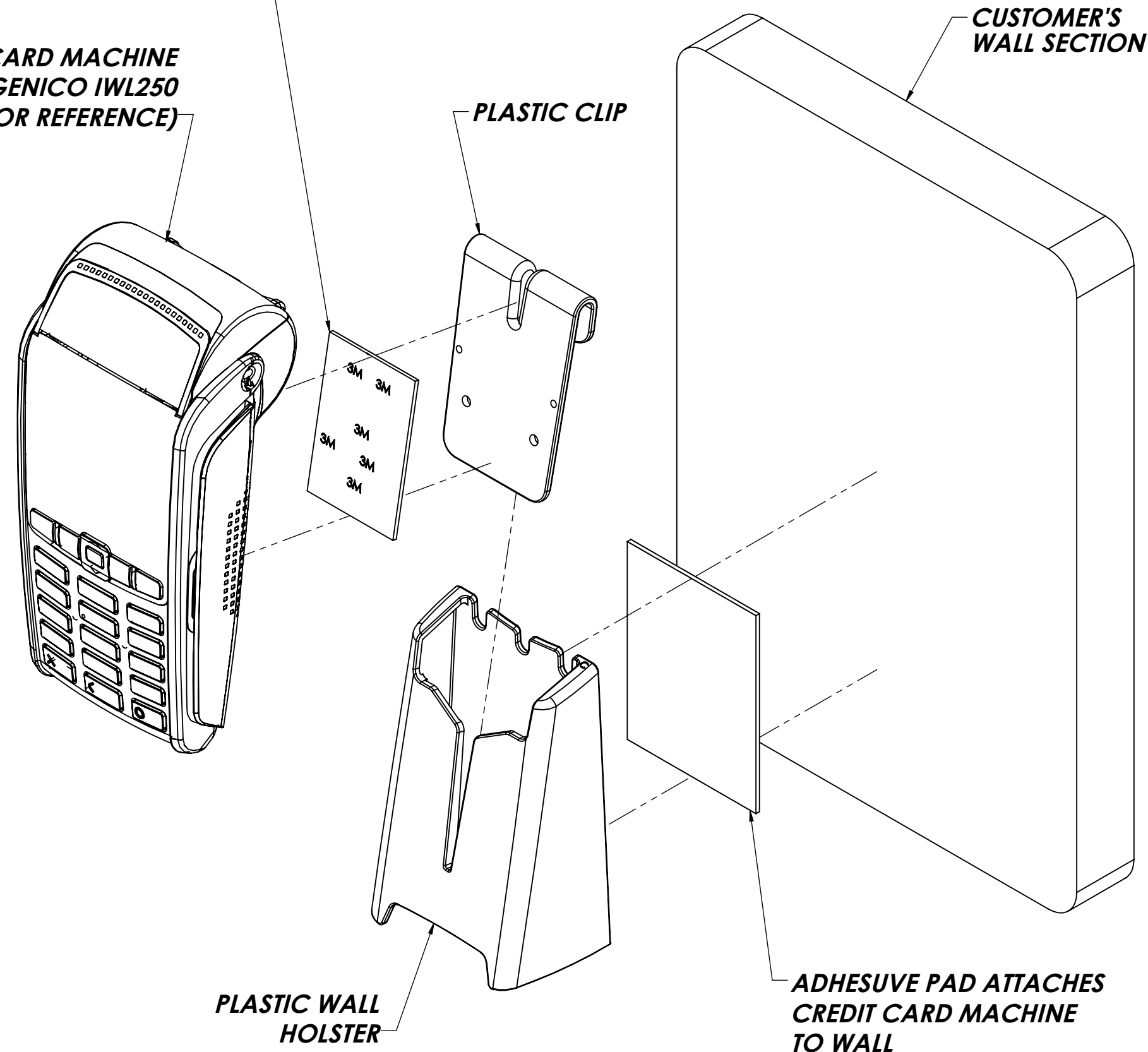
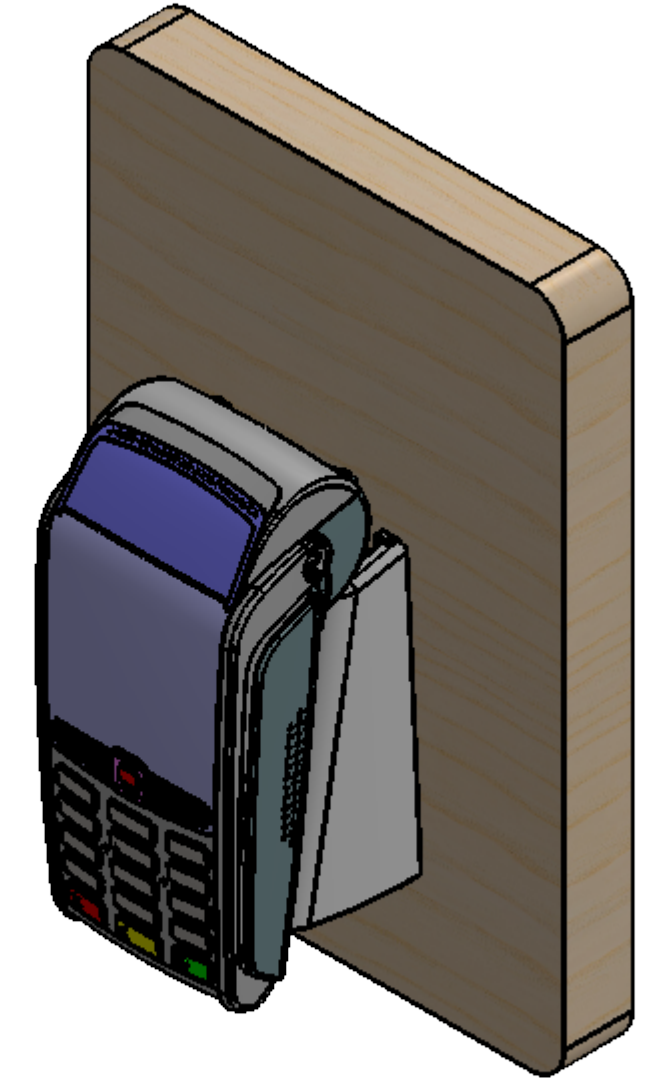
**CREDIT CARD MACHINE  
(INGENICO IWL250  
SHOWN FOR REFERENCE)**

**ADHESIVE PAD ATTACHES  
CREDIT CARD MACHINE  
TO CLIP**

**PLASTIC CLIP**

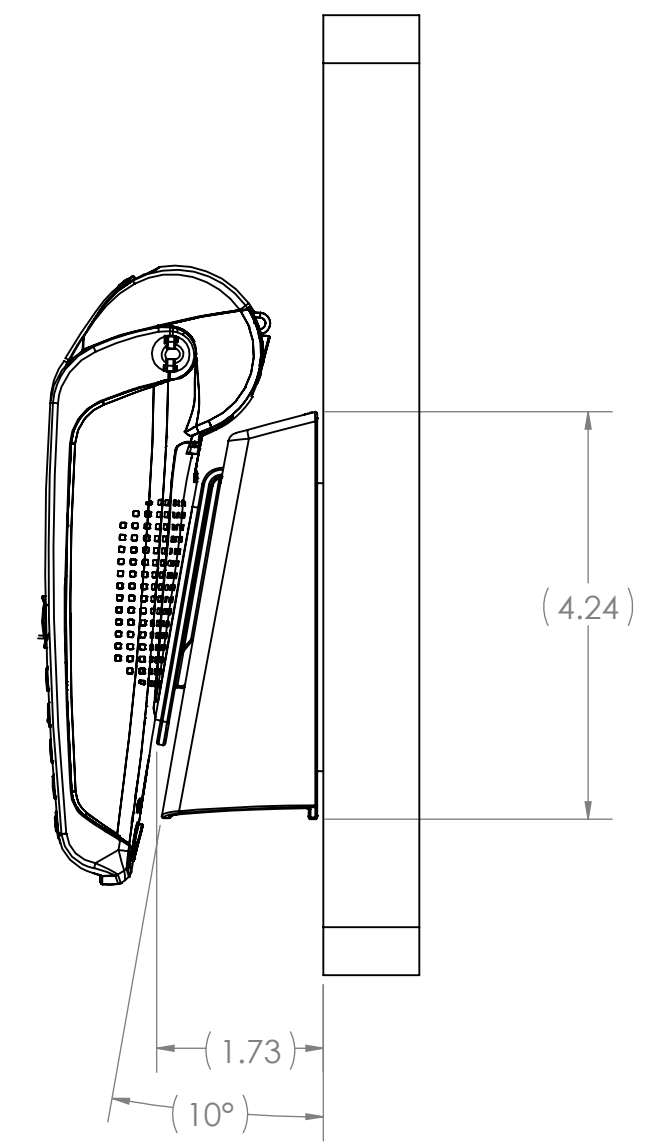
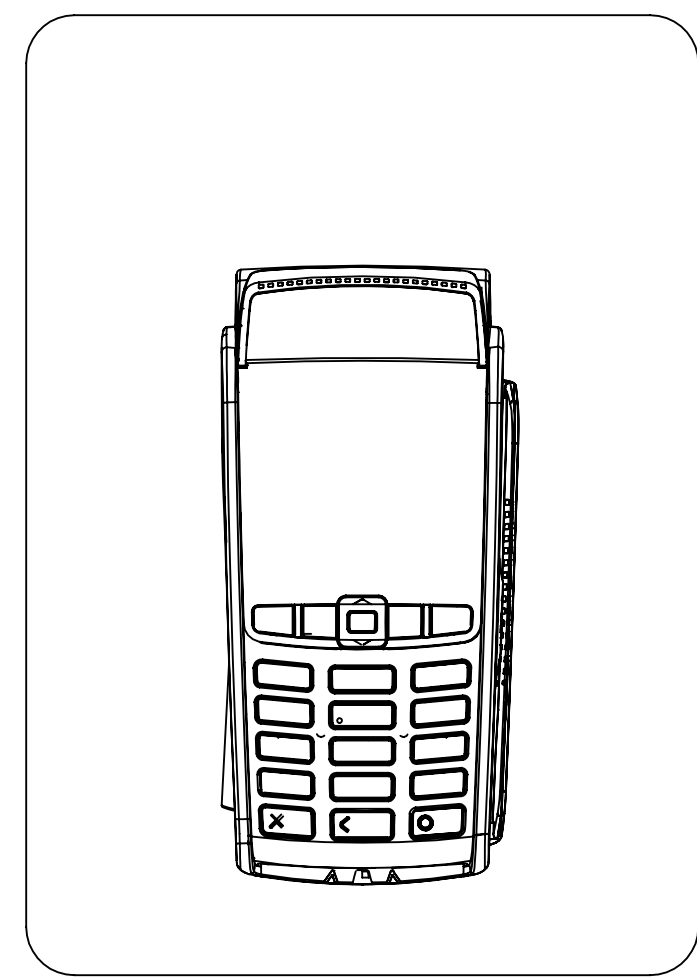
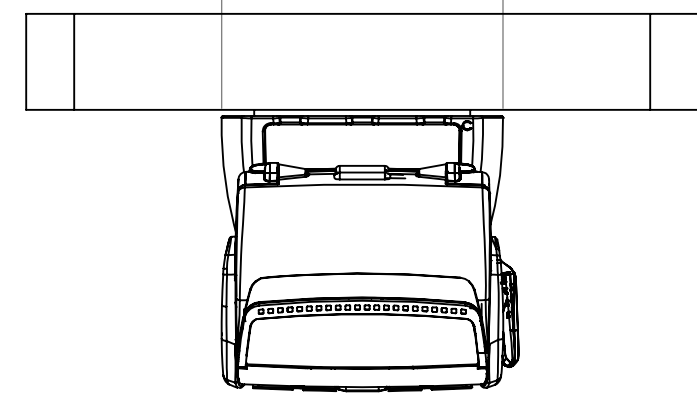
**CUSTOMER'S  
WALL SECTION**

(2.93)



**PLASTIC WALL  
HOLSTER**

**ADHESIVE PAD ATTACHES  
CREDIT CARD MACHINE  
TO WALL**



# SHEET 2

(SEE SHEET 1 FOR SCREW ASSEMBLY)

THE INFORMATION CONTAINED IN THIS DRAWING IS THE SOLE PROPERTY OF HAVIS AND REPRODUCTION IN PART OR IN WHOLE WITHOUT THE WRITTEN PERMISSION OF HAVIS IS PROHIBITED.  
ALL DIMENSIONS ARE IN INCHES UNLESS STATED OTHERWISE.



**CUSTOMER VERIFICATION AND AUTHORIZATION**

D	SEE SHEET 1	09/06/18	JEB	
C	SEE SHEET 1	06/04/15	SY	
B	SEE SHEET 1	05/07/15	SY	
A	SEE SHEET 1	03/25/15	SY	
REV.	DESCRIPTION	DATE	BY	CHK'D

DRAWN S. YANG		<b>HAVIS</b>	
DATE 03/02/2015	CUSTOMER APPROVAL (SIGNATURE REQUIRED):		
TITLE		WALL HOLSTER, PLASTIC, QUICK-RELEASE WITH ADHESIVE PADS AND MOUNTING SCREWS	
DATE	SIZE C	DWG. NO. 367-3282	REV. D
			SHEET 1 OF 1

8 7 6 5 4 3 2 1