

8

7

6

5

4

3

2

1

F

E

D

C

B

A

F

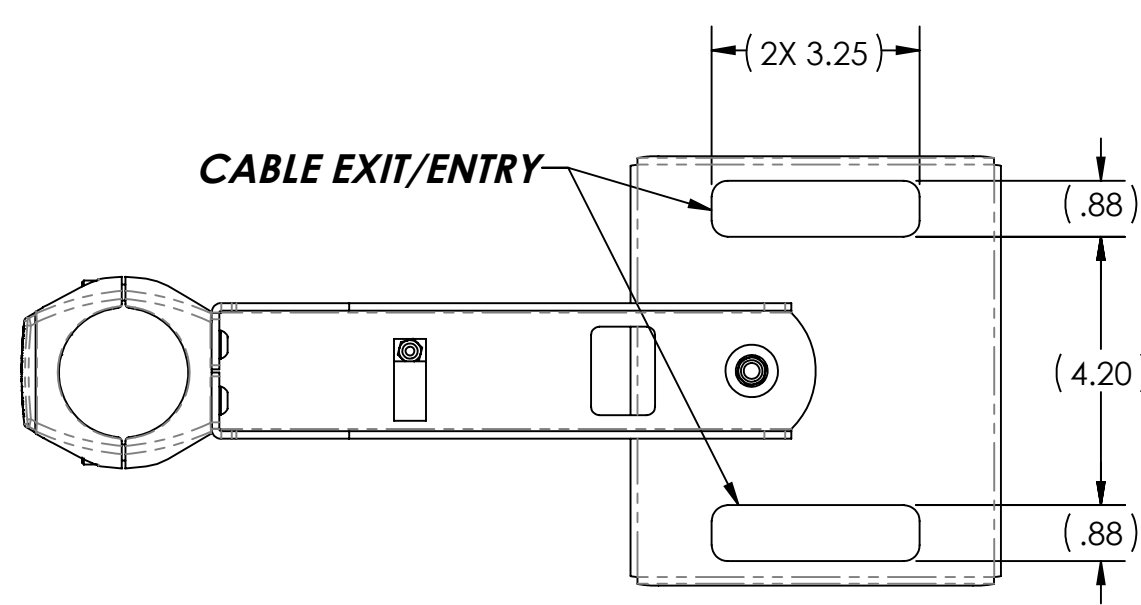
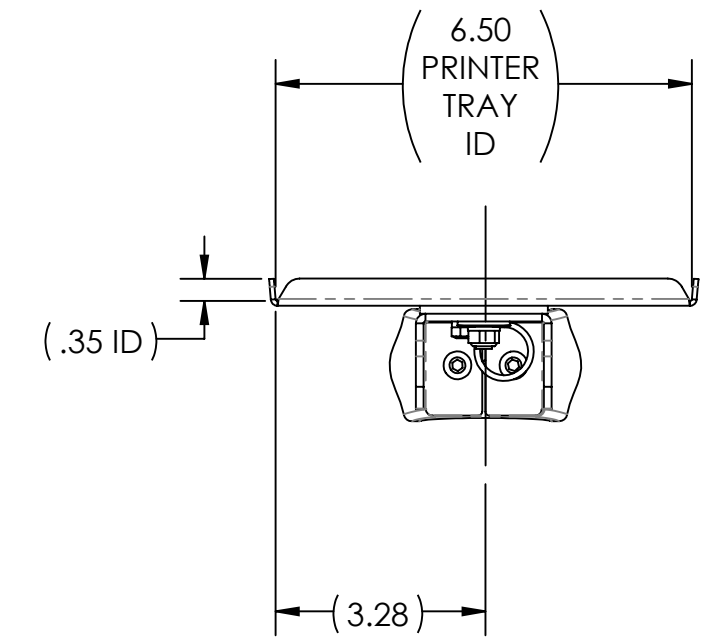
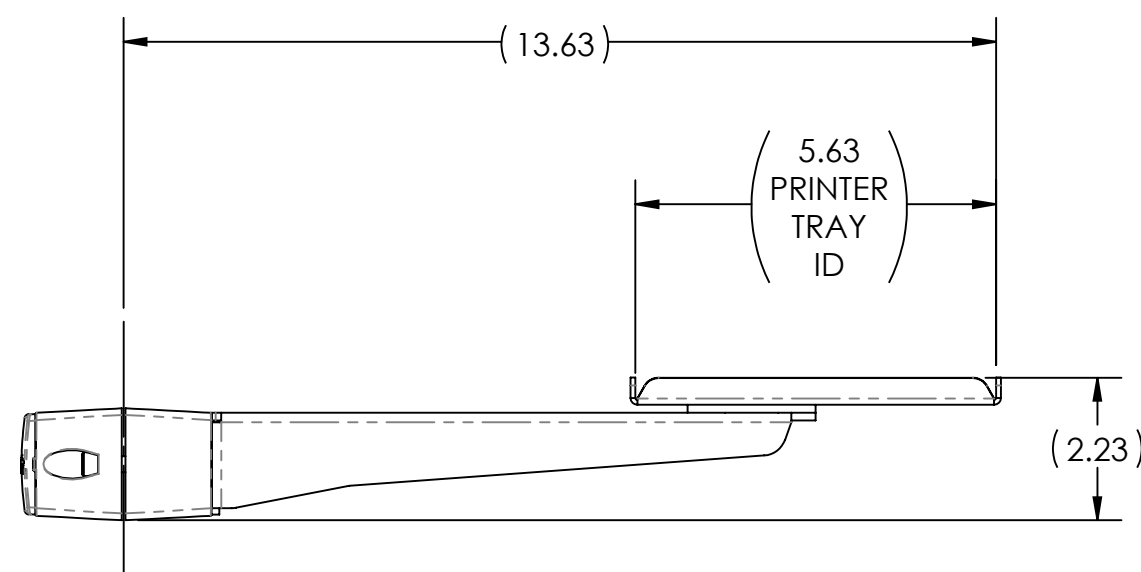
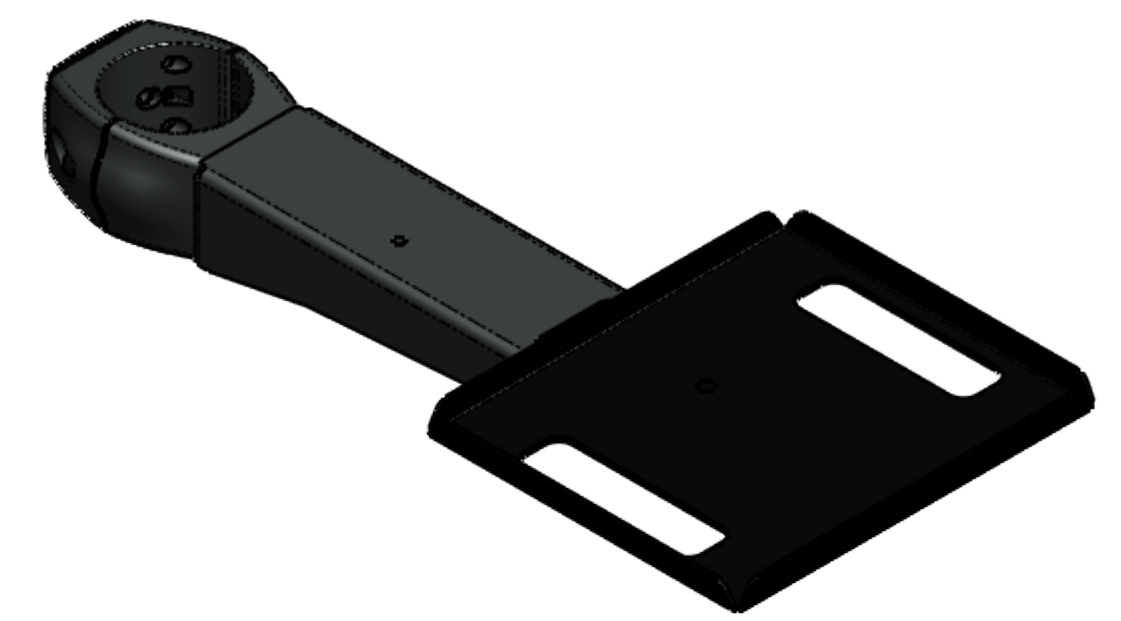
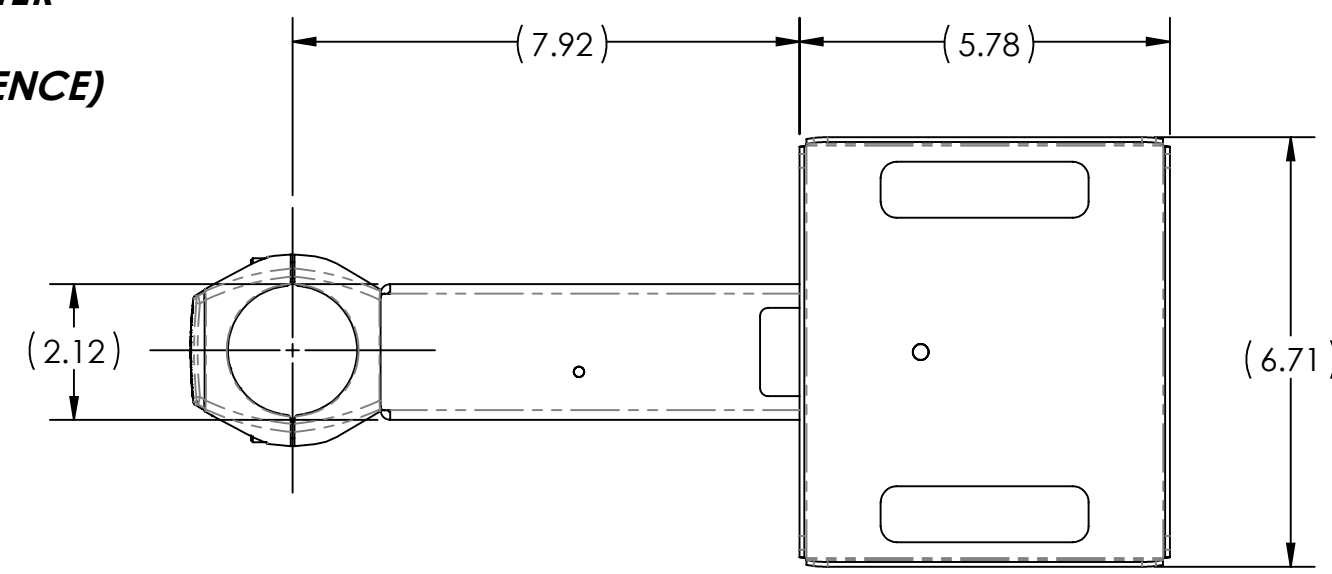
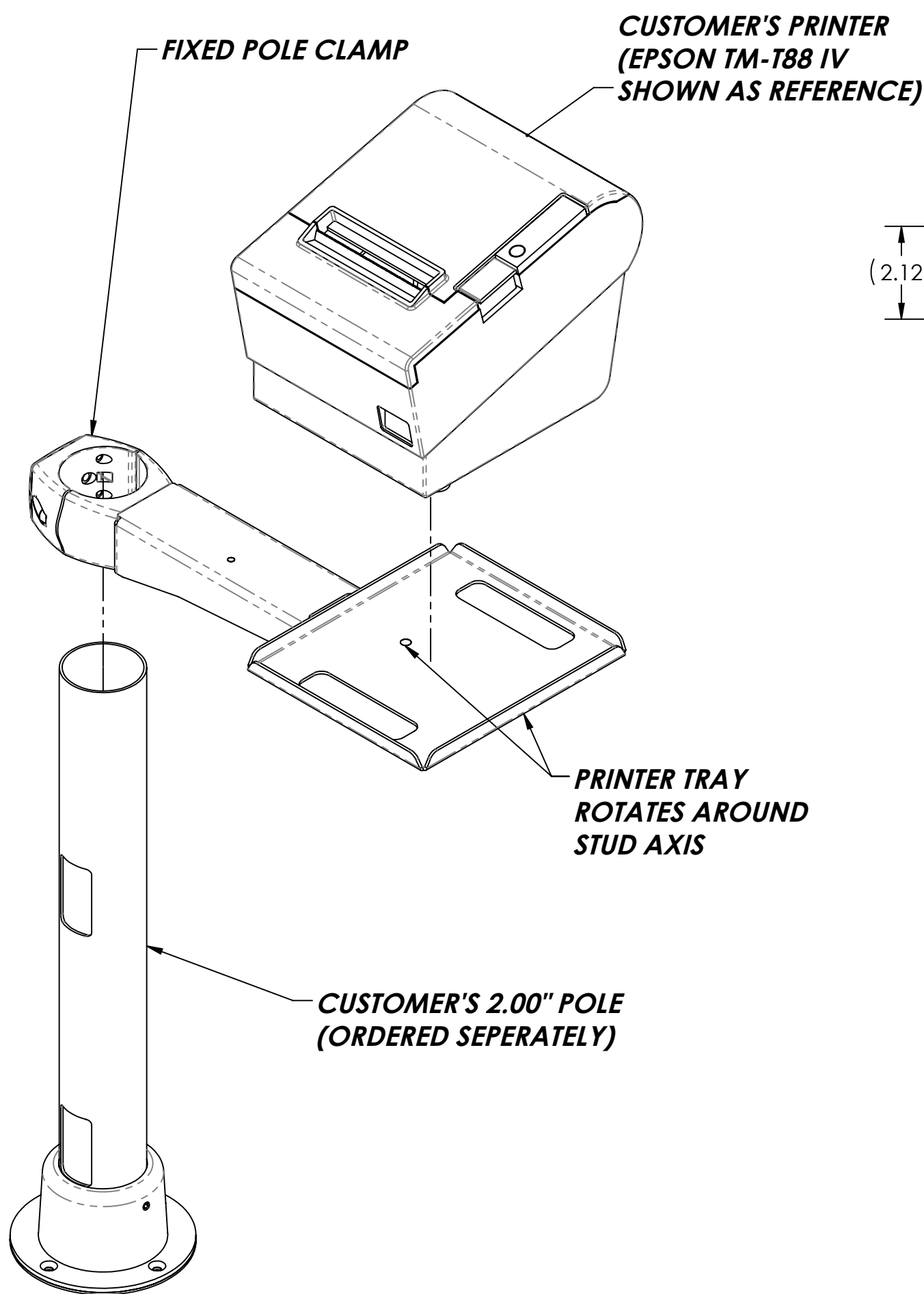
E

D

C

B

A



THE INFORMATION CONTAINED IN THIS DRAWING IS THE SOLE PROPERTY OF HAVIS AND REPRODUCTION IN PART OR IN WHOLE WITHOUT THE WRITTEN PERMISSION OF HAVIS IS PROHIBITED.



REV. A	RELEASE FOR PROTOTYPE	7/8/15	ZAG	SY
REV.	DESCRIPTION	DATE	BY	CHK'D
DRAWN	Z. GRAGE			
DATE	7/8/2015			
CUSTOMER APPROVAL (SIGNATURE REQUIRED):		TITLE	PRINTER TRAY ARM, FIXED CLAMP, TO 2" DIAMETER POLE MOUNT	
DATE	SIZE C	DWG. NO.	367-3465	REV. A SHEET 1 OF 1

8

7

6

5

4

3

2

1