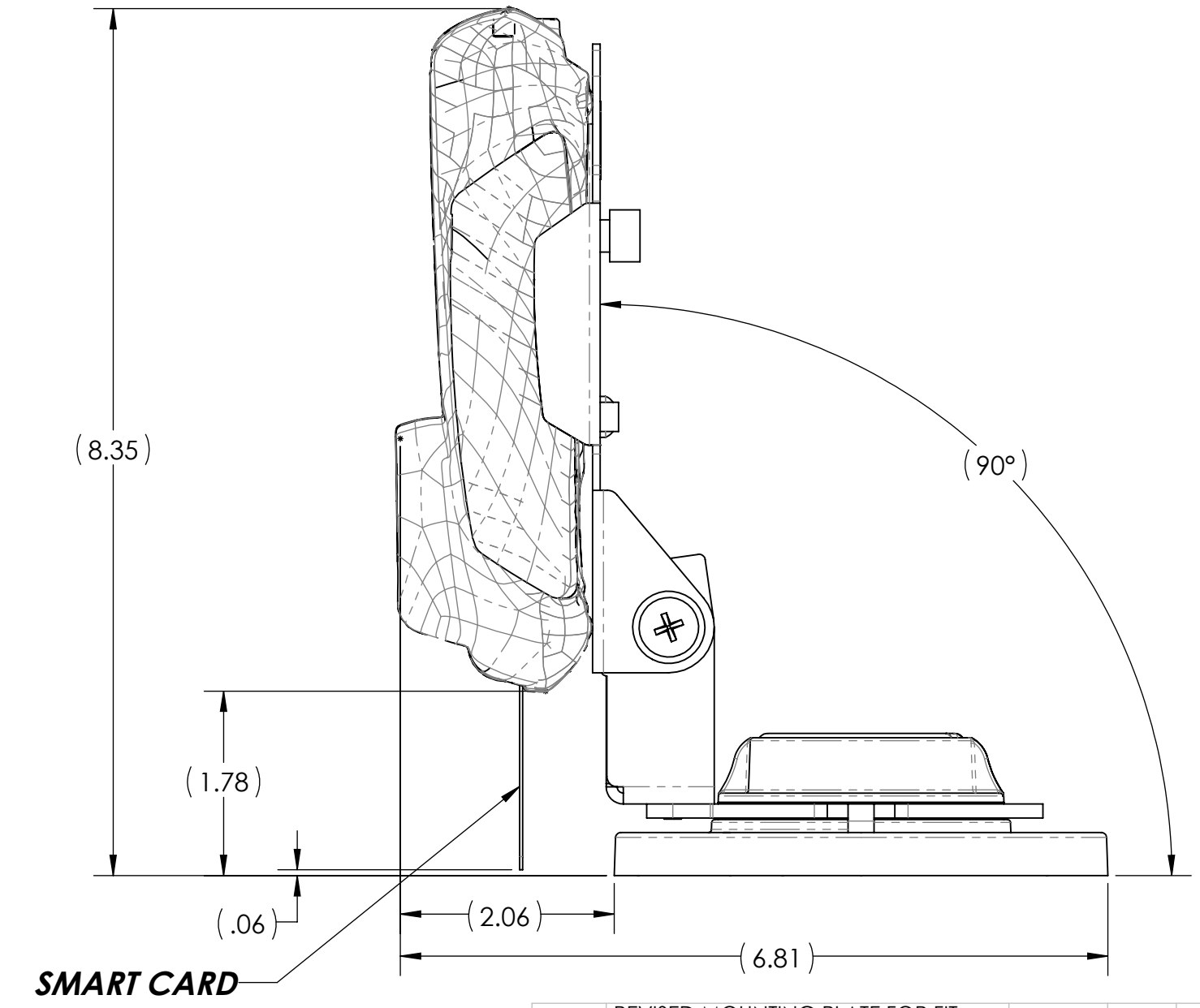
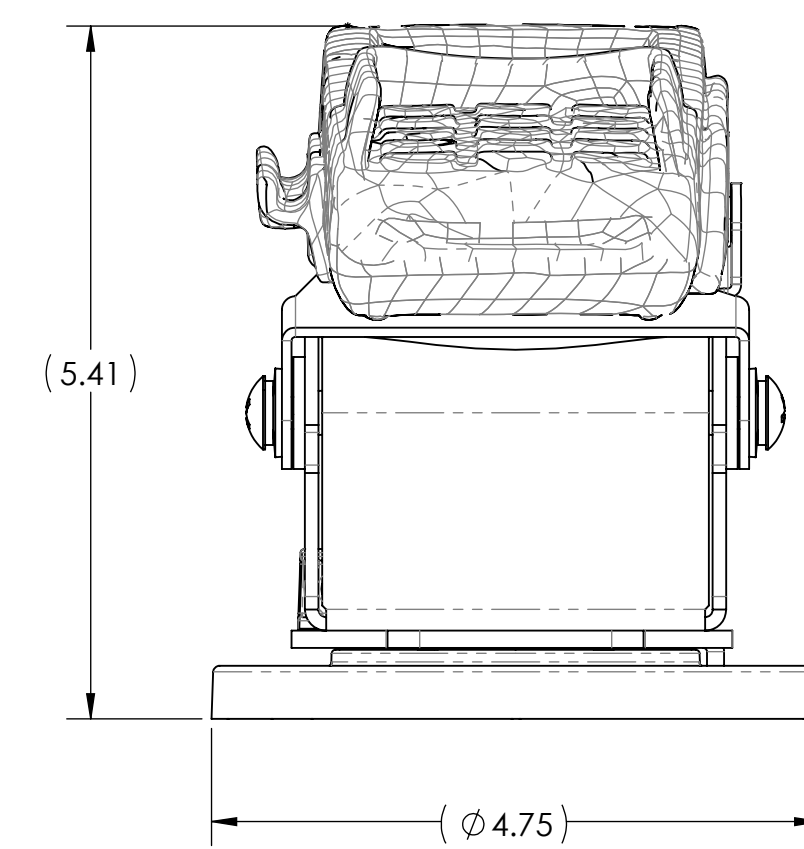
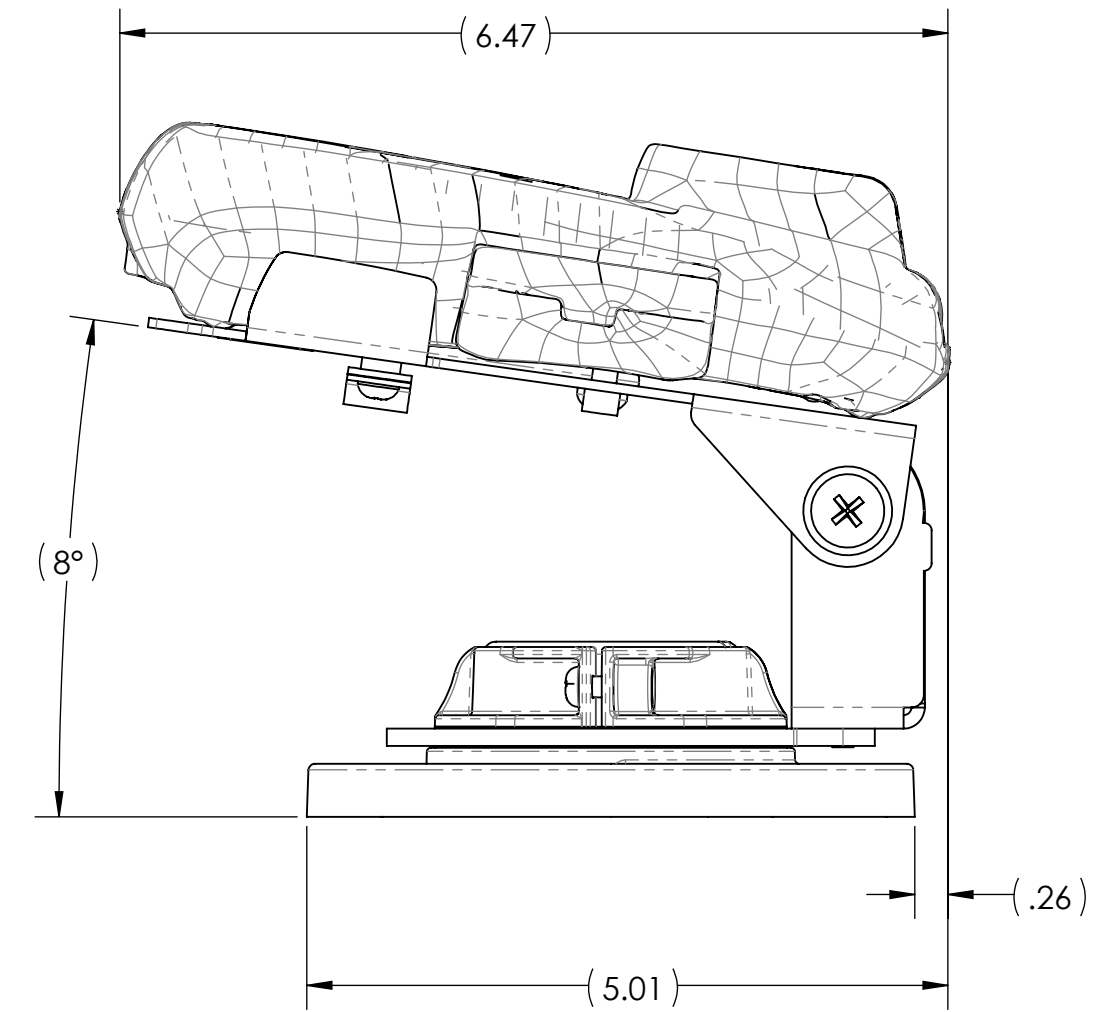
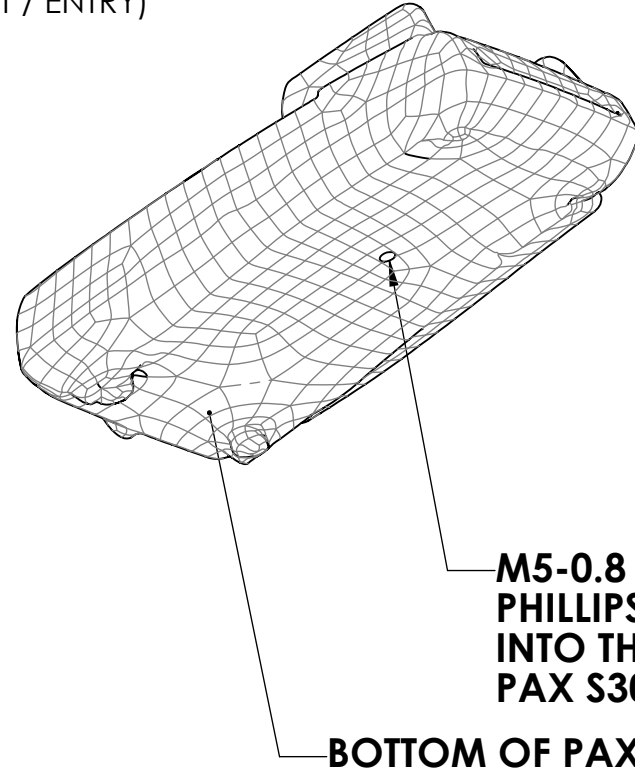
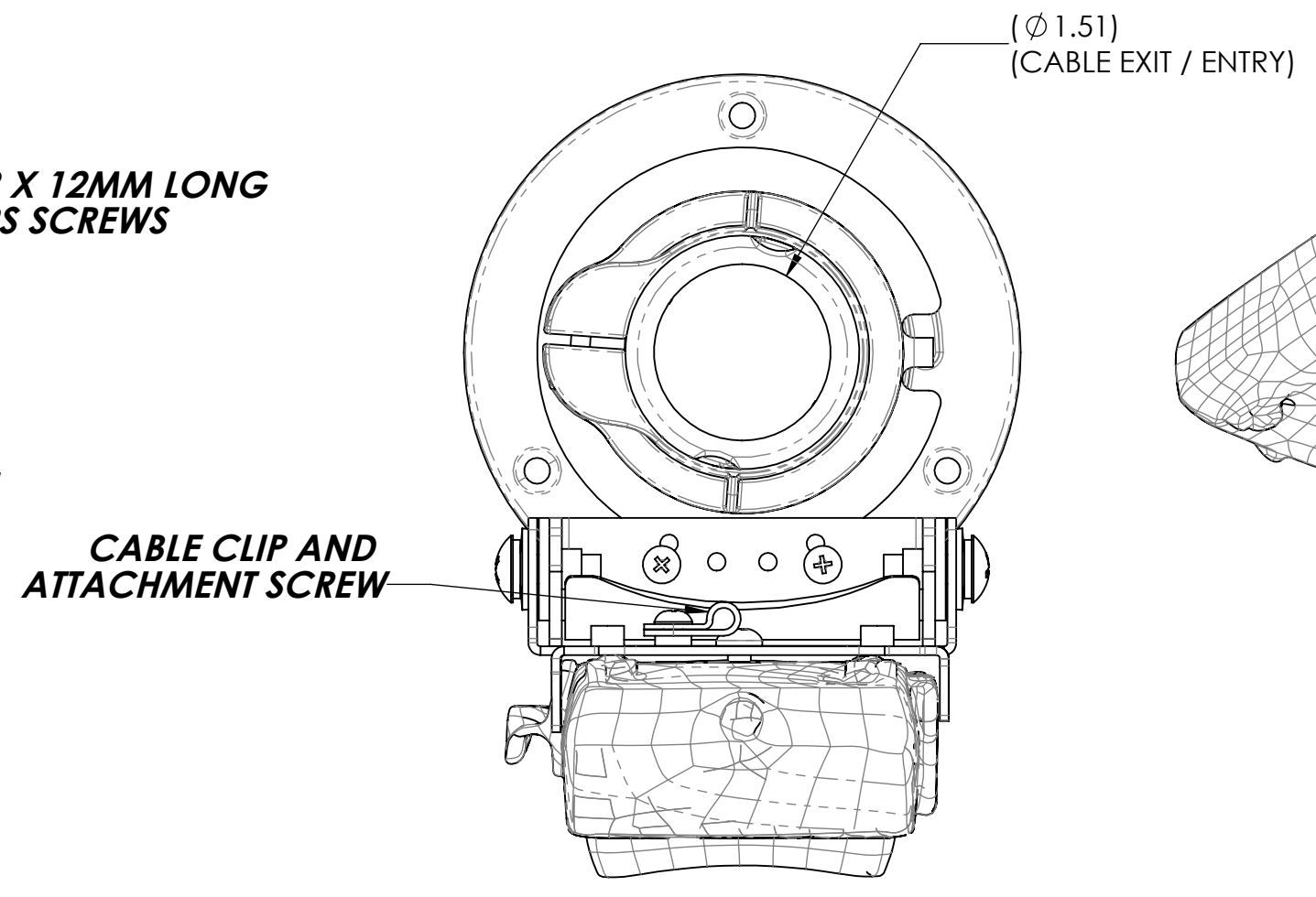
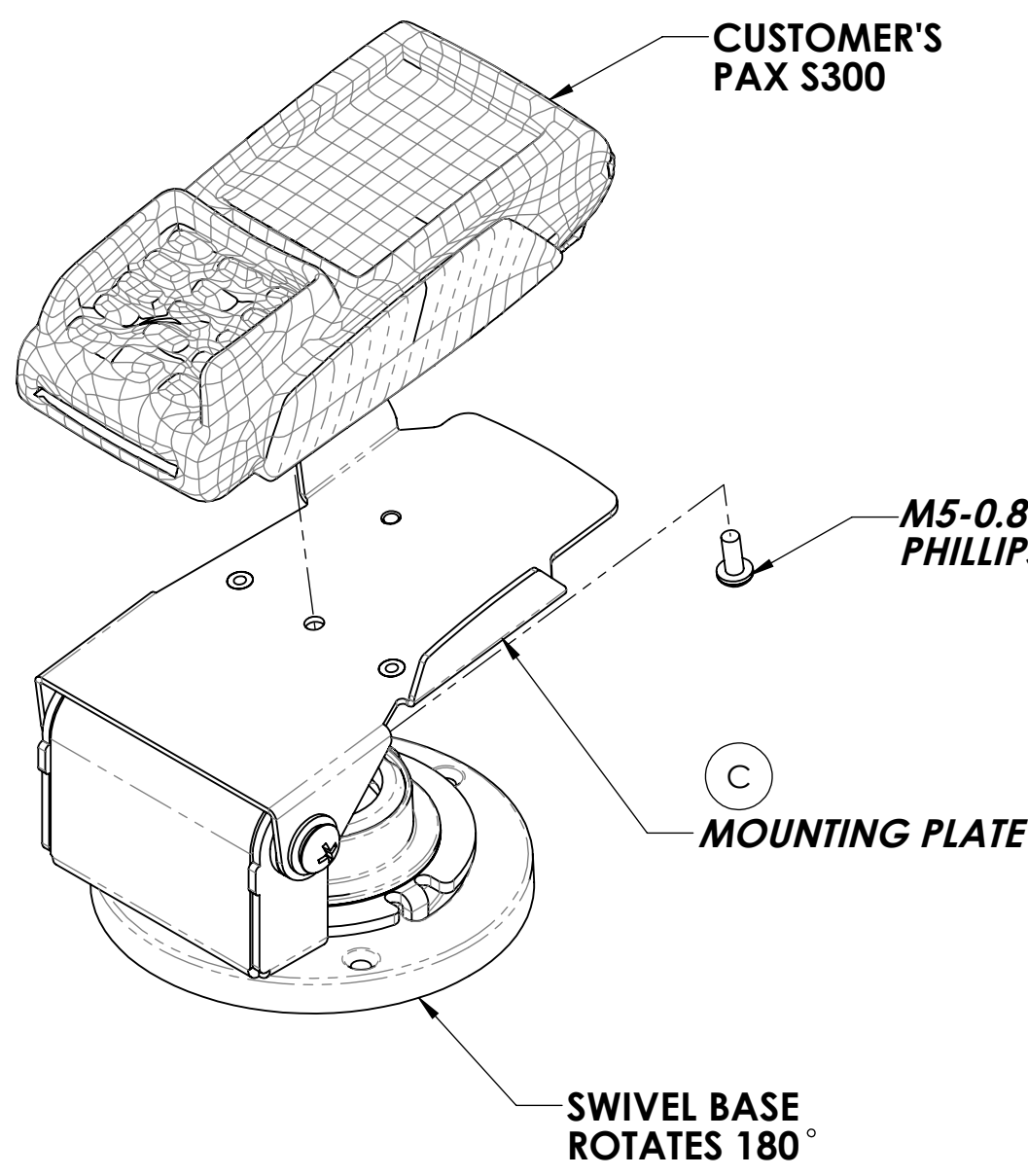


REVISION C CHANGES = **C**

(1 CHANGE NOTED ON DRAWING)



ROHS COMPLIANT



CUSTOMER VERIFICATION AND AUTHORIZATION

THE INFORMATION CONTAINED IN THIS DRAWING IS THE SOLE PROPERTY OF HAVIS AND REPRODUCTION IN PART OR IN WHOLE WITHOUT THE WRITTEN PERMISSION OF HAVIS IS PROHIBITED.

REV. C	REVISED MOUNTING PLATE FOR FIT WITH NEW CREDIT CARD MACHINE	04/18/17	JEB	CDB
REV. B	REVISED PIVOT MOUNT ASSEMBLY FOR IMPROVED PIVOTING PERFORMANCE	6/20/16	SCB	SCB
REV. A	RELEASED FOR PROTOTYPE	11/5/15	ZAG	AZM
REV.	DESCRIPTION	DATE	BY	CHK'D
DRAWN Z. GRAGE				
DATE 11/5/2015				
CUSTOMER APPROVAL (SIGNATURE REQUIRED):		TITLE		
		LOW CONTOUR STAND 8° TO 90°, CENTER HOLE SWIVEL, PAX S300		
DATE	SIZE C	DWG. NO. 367-3574	REV. C SHEET 1 OF 1	