

SHEET 1
(SEE SHEET 2 FOR PX5 DETAILS)

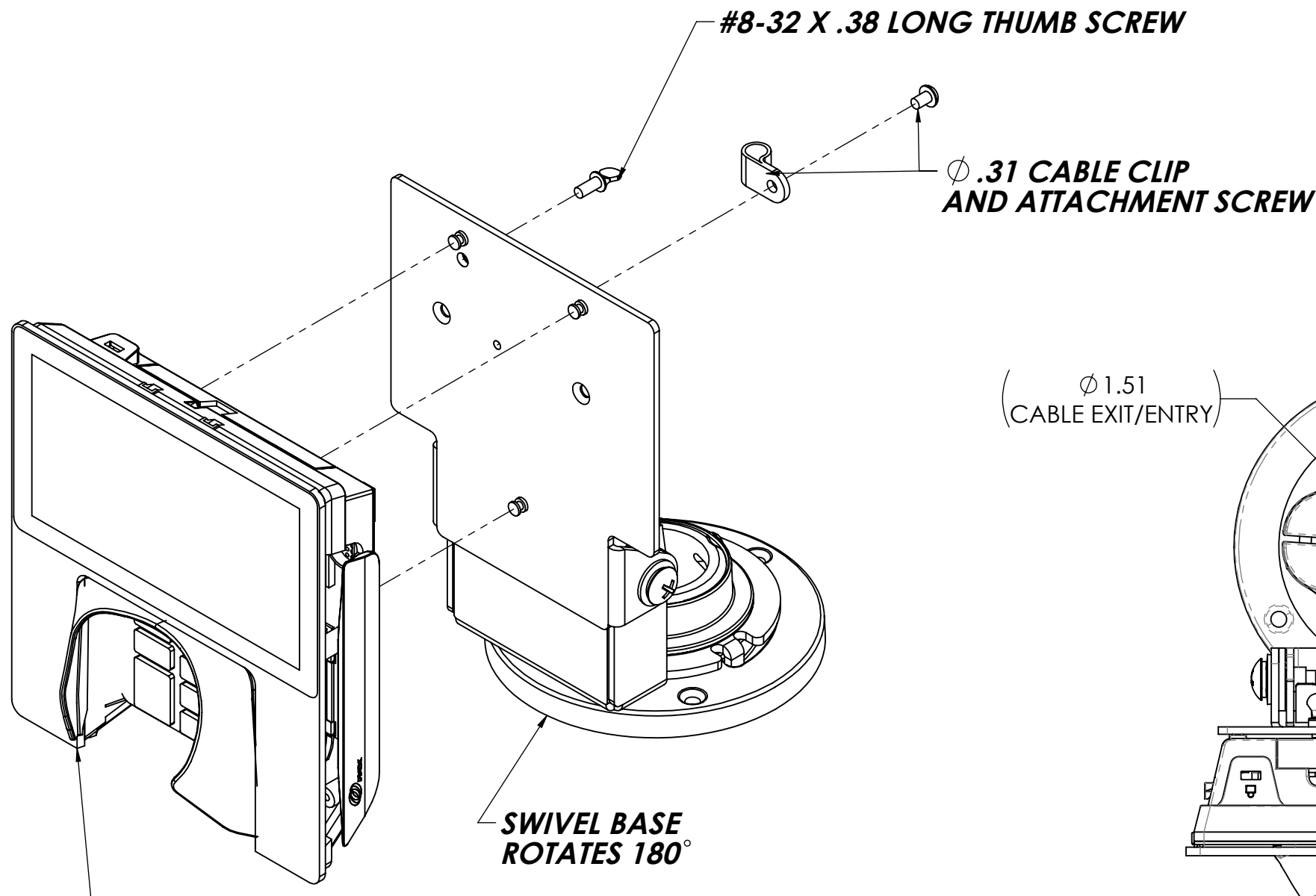
ROHS COMPLIANT

THE INFORMATION CONTAINED IN THIS DRAWING IS THE SOLE PROPERTY OF HAVIS AND REPRODUCTION IN PART OR IN WHOLE WITHOUT THE WRITTEN PERMISSION OF HAVIS IS PROHIBITED.
ALL DIMENSIONS ARE IN INCHES UNLESS STATED OTHERWISE.

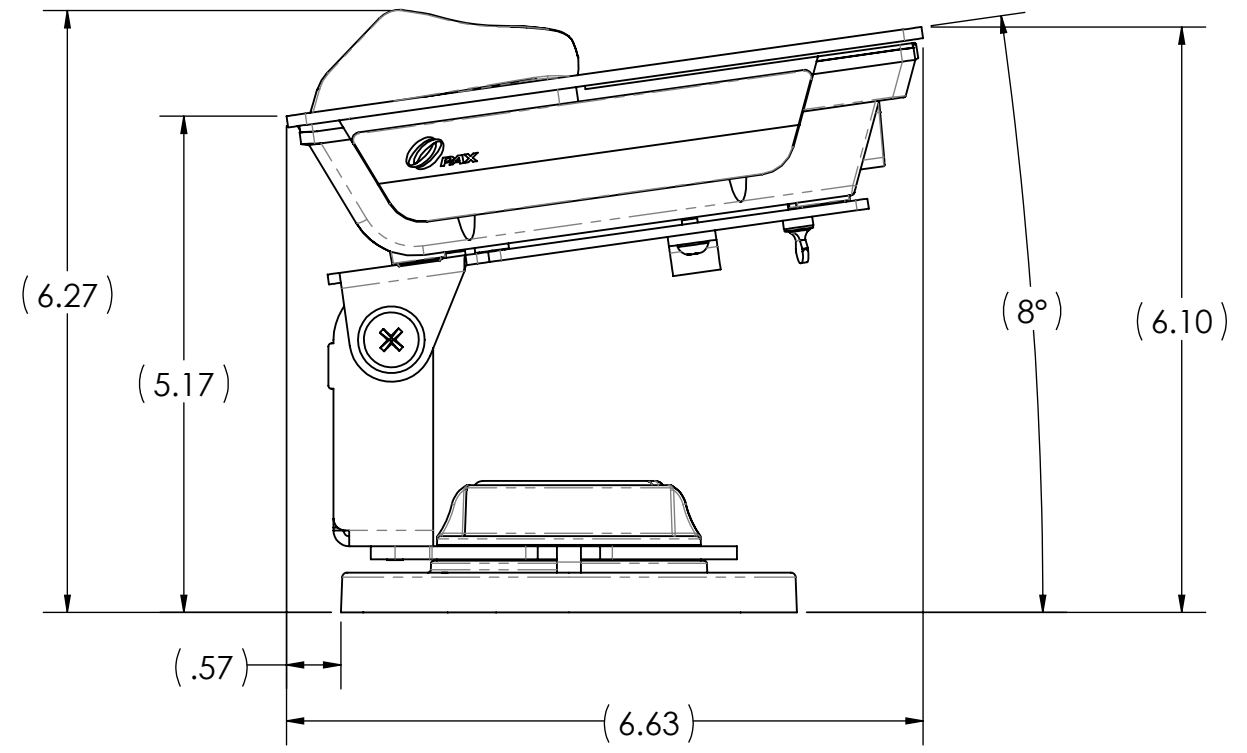
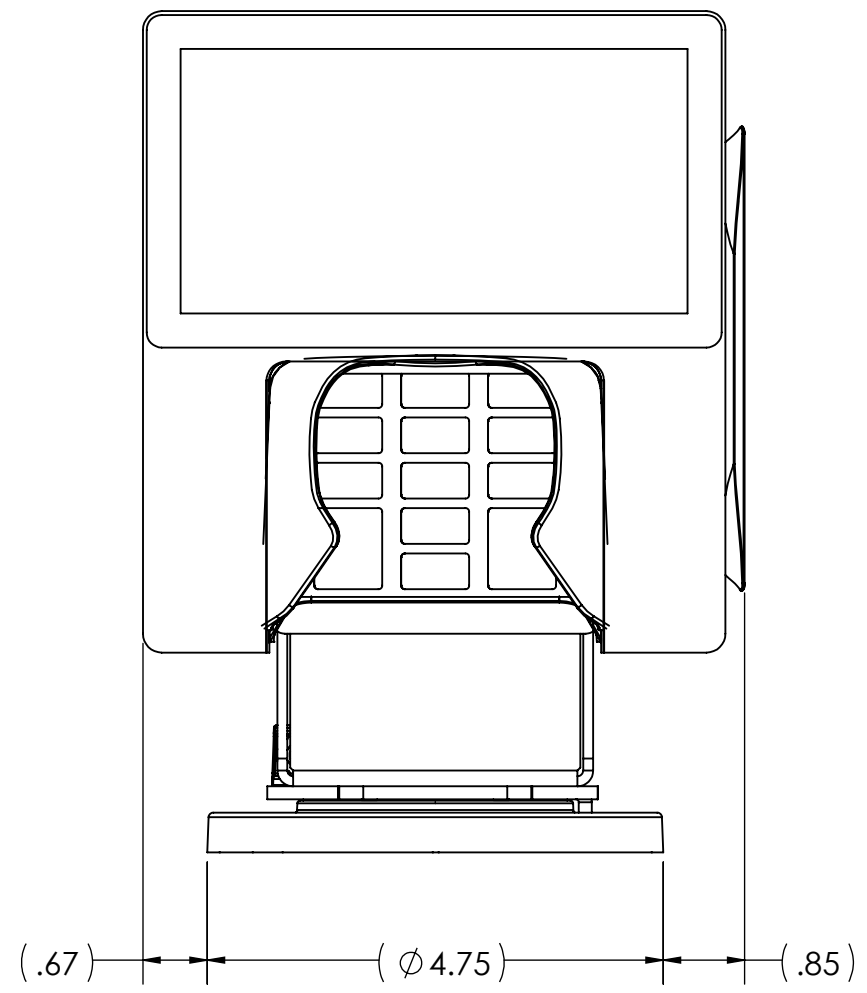
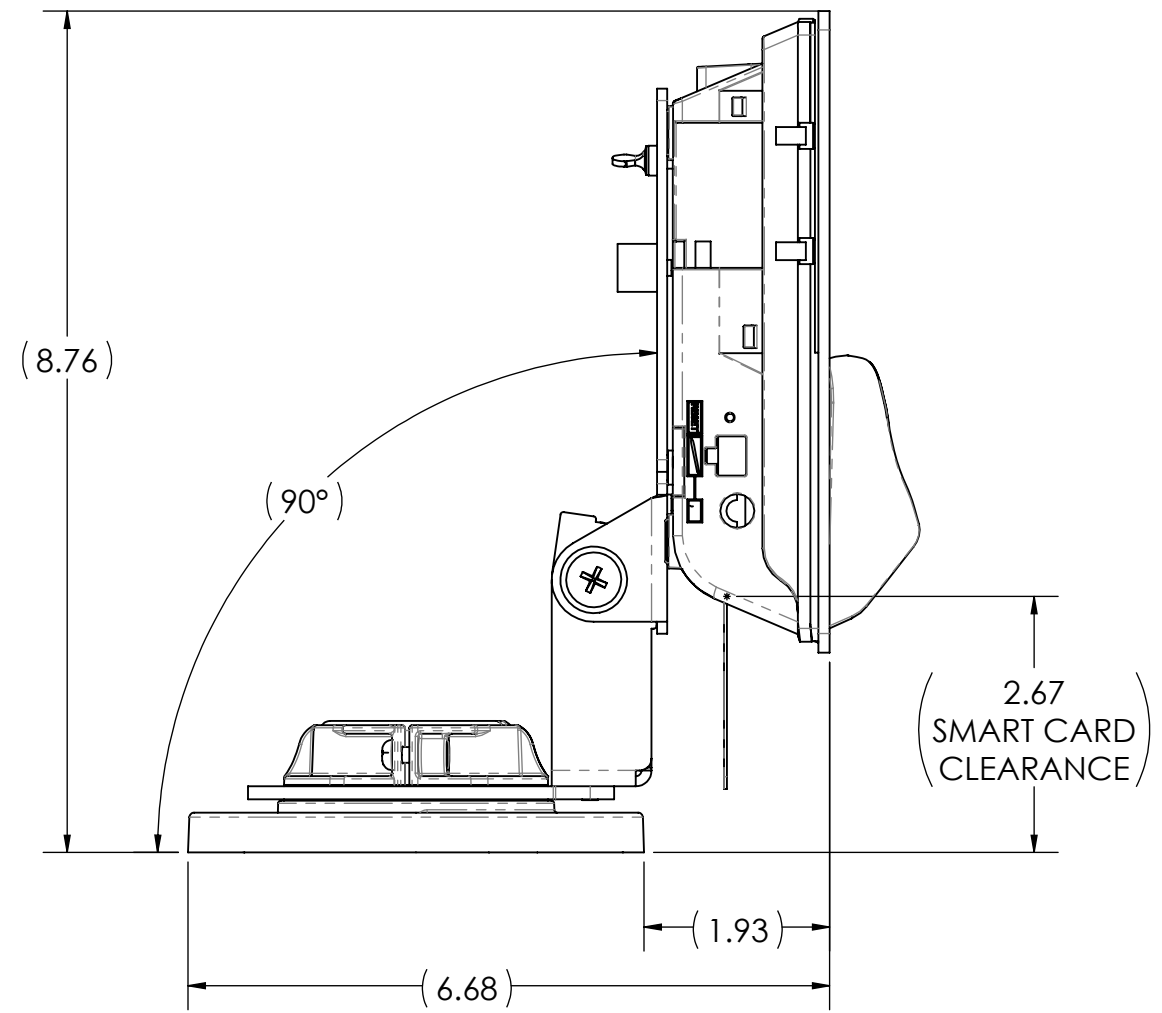
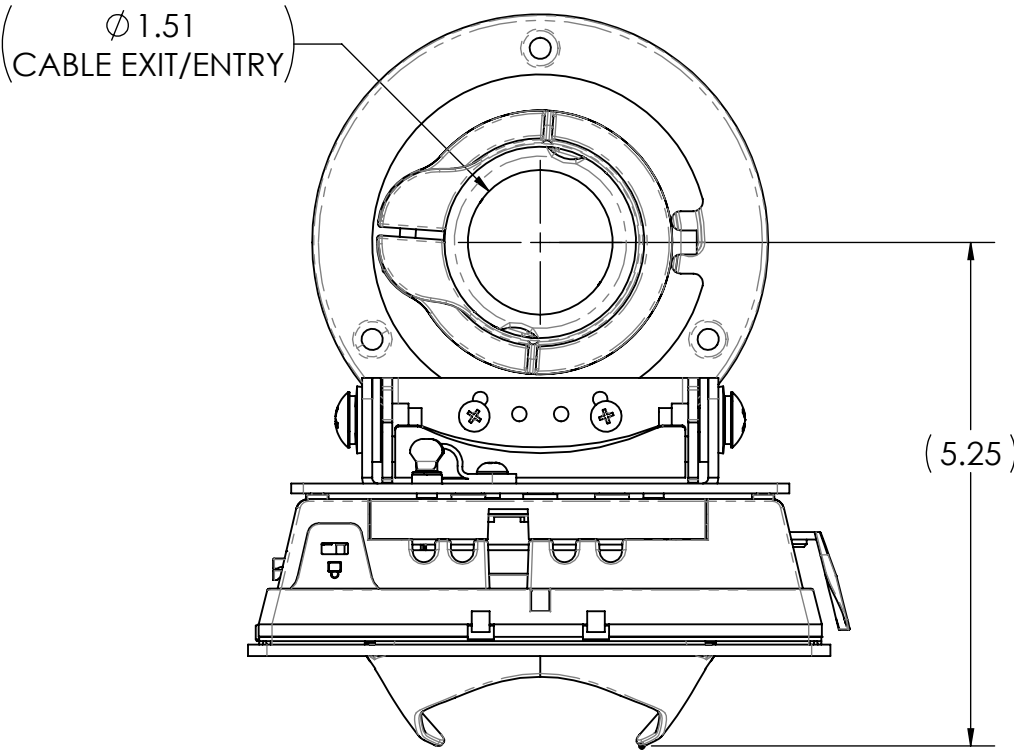
HAVIS

CUSTOMER VERIFICATION AND AUTHORIZATION

A	RELEASED FOR PROTOTYPE	04/21/16	JEB	JVT
REV.	DESCRIPTION	DATE	BY	CHK'D
DRAWN J. BROWN		HAVIS		
DATE 04/21/16				
CUSTOMER APPROVAL (SIGNATURE REQUIRED):		TITLE LOW CONTOUR STAND, CENTER HOLE SWIVEL, PAX PX5/PX7		
DATE	SIZE C	DWG. NO. 367-3884	REV. A	SHEET 1 OF 2



CUSTOMER'S PAX PX7 OR PX5
(PX5 SHOWN FOR REFERENCE.
SEE SHEET 1 FOR PX7 DETAILS)

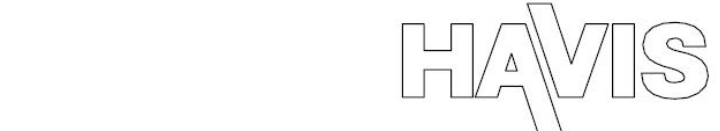


SHEET 2

(SEE SHEET 1 FOR PX7 DETAILS)

ROHS COMPLIANT

THE INFORMATION CONTAINED IN THIS DRAWING IS THE SOLE PROPERTY OF HAVIS AND REPRODUCTION IN PART OR IN WHOLE WITHOUT THE WRITTEN PERMISSION OF HAVIS IS PROHIBITED.
ALL DIMENSIONS ARE IN INCHES UNLESS STATED OTHERWISE.



CUSTOMER VERIFICATION AND AUTHORIZATION

REV. A	RELEASED FOR PROTOTYPE	04/21/16	JEB	JVT
	DESCRIPTION	DATE	BY	CHK'D
DRAWN J. BROWN				
DATE 04/21/16				
CUSTOMER APPROVAL (SIGNATURE REQUIRED):		TITLE LOW CONTOUR STAND, CENTER HOLE SWIVEL, PAX PX5/PX7		
DATE	SIZE C	DWG. NO. 367-3884	REV. A	SHEET 2 OF 2