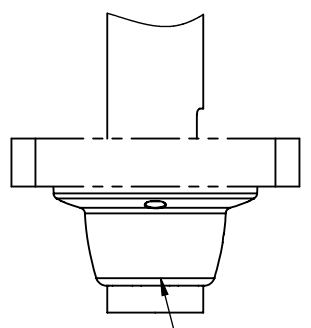
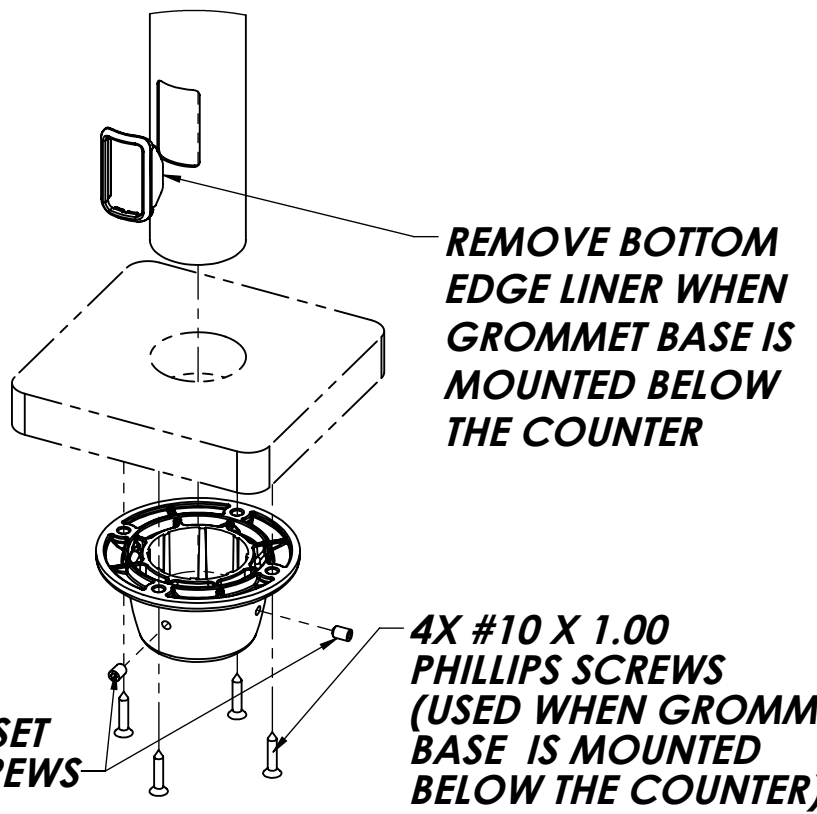
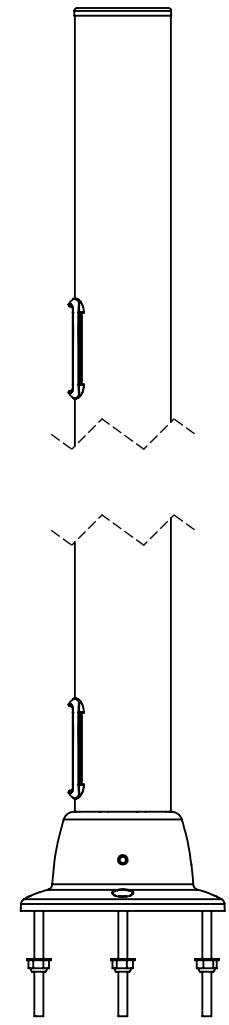
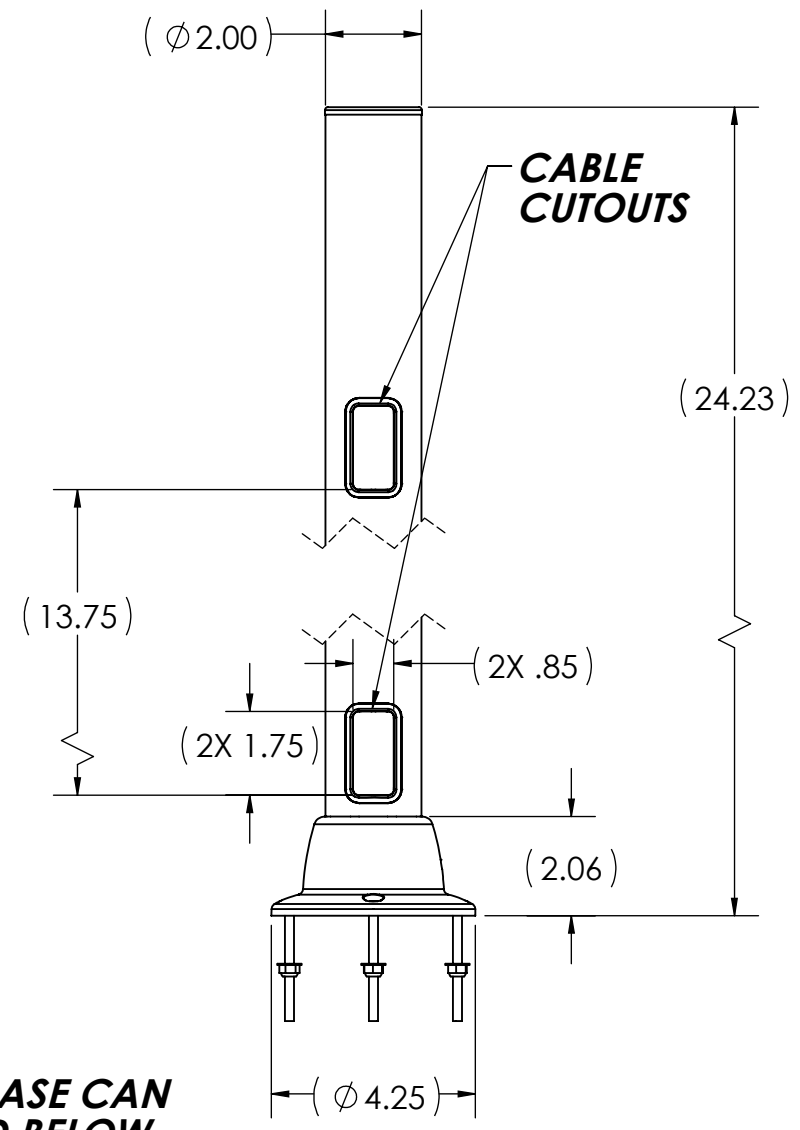
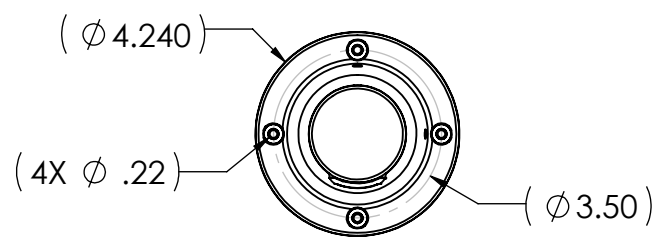
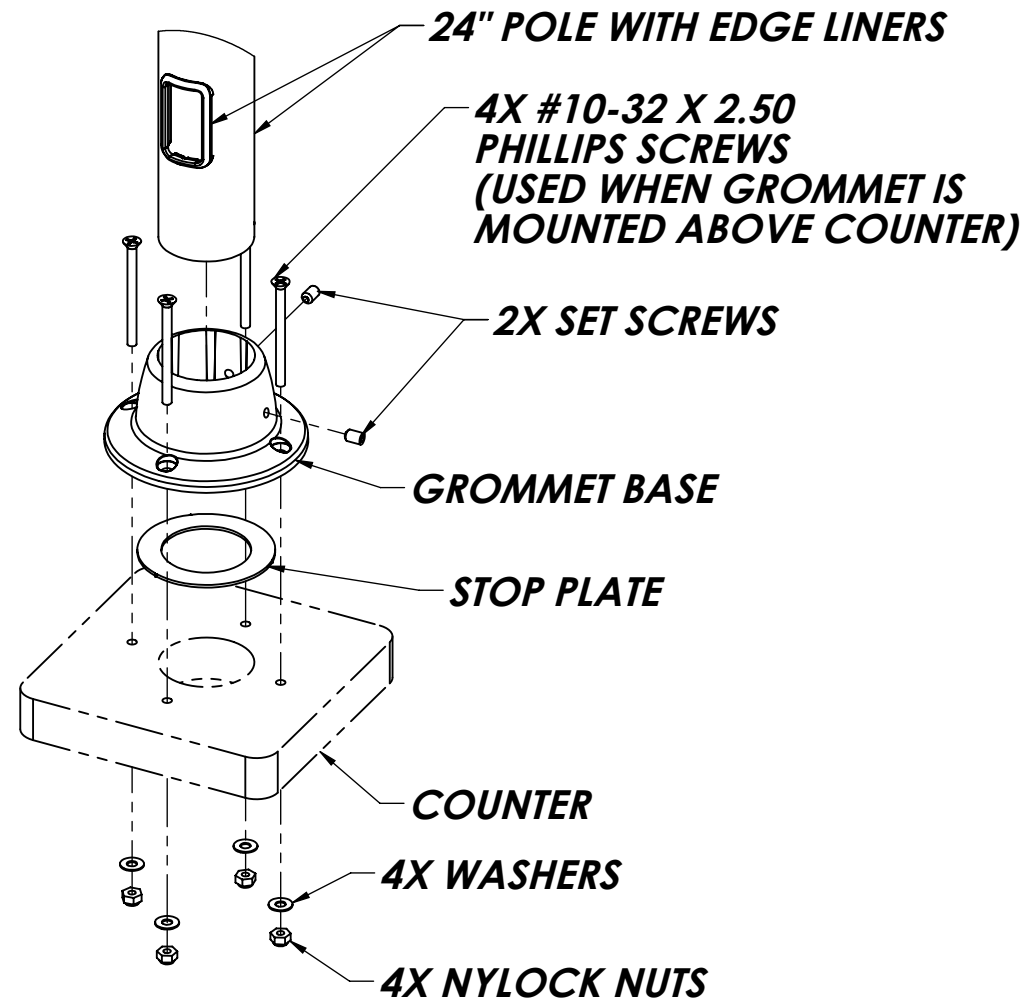


D
C
B
A

D
C
B
A



CUSTOMER VERIFICATION AND AUTHORIZATION

A	RELEASED FOR PROTOTYPE	09/23/15	JEB	JEB
REV.	DESCRIPTION	DATE	BY	CHK'D
DRAWN	J. BROWN			
DATE	09/23/2015			
CUSTOMER APPROVAL (SIGNATURE REQUIRED):				
TITLE				
		TECHTOWER, GROMMET MOUNT BASE, 24" POLE WITH EDGE LINERS		
DATE	SIZE	DWG. NO.	REV.	
	B	367-4005-11	A	
				SHEET 1 OF 1

THE INFORMATION CONTAINED IN THIS DRAWING IS THE SOLE PROPERTY OF HAVIS AND REPRODUCTION IN PART OR IN WHOLE WITHOUT THE WRITTEN PERMISSION OF HAVIS IS PROHIBITED.