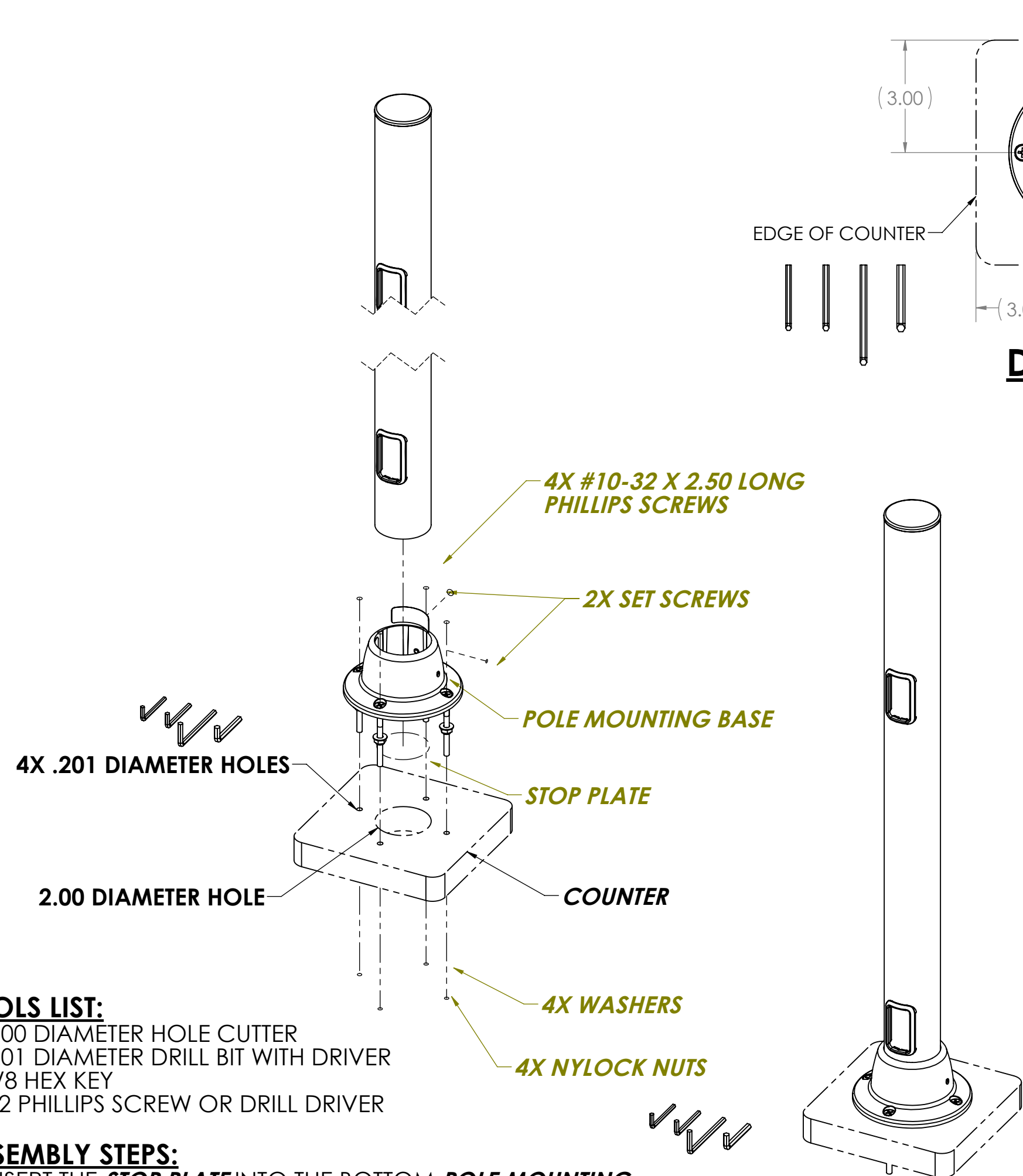


INSTALLATION INSTRUCTIONS

MOUNTING OPTION 1 (ATTACHED ABOVE COUNTER)

MOUNTING OPTION 2 (ATTACHED BELOW COUNTER)

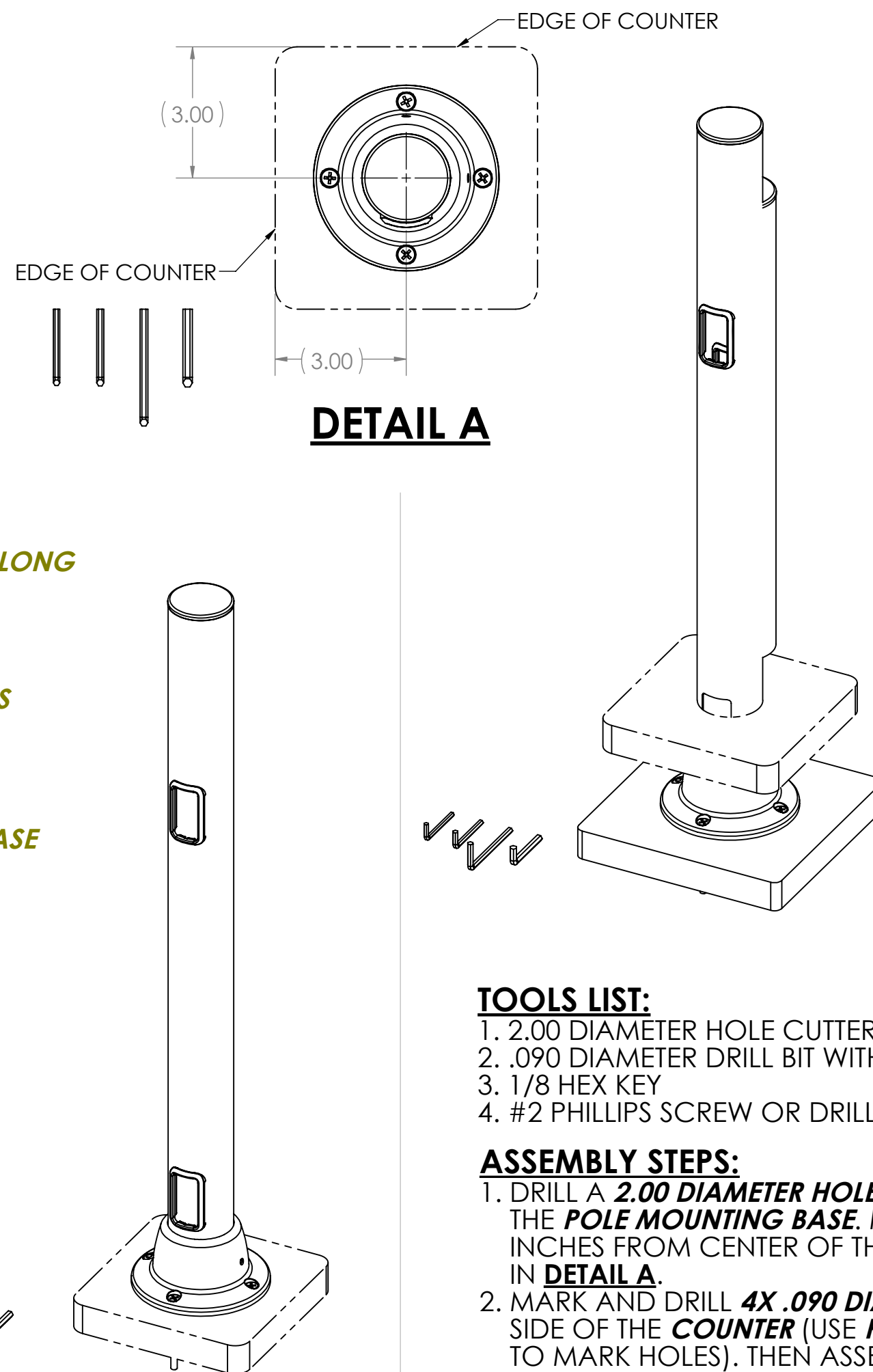


TOOLS LIST:

- 2.00 DIAMETER HOLE CUTTER
- .201 DIAMETER DRILL BIT WITH DRIVER
- 1/8 HEX KEY
- #2 PHILLIPS SCREW OR DRILL DRIVER

ASSEMBLY STEPS:

- INSERT THE **STOP PLATE** INTO THE BOTTOM **POLE MOUNTING BASE** FOR PLACING ON **COUNTER** AS SHOWN.
- DRILL A **2.00 DIAMETER HOLE** IN THE LOCATION YOU WANT TO MOUNT THE **POLE MOUNTING BASE**. MAKE SURE TO LEAVE A **MINIMUM** OF 3 INCHES FROM CENTER OF HOLE TO **EDGE OF COUNTER** AS SHOWN IN **DETAIL A**.
- MARK AND DRILL **4X .201 DIAMETER HOLES** THRU THE **COUNTER** (USE **POLE MOUNTING BASE** AS THE TEMPLATE TO MARK HOLES). THEN ASSEMBLE THE **POLE MOUNTING BASE** TO THE **COUNTER** BY USING THE **4X 10-32 X 2.50 LONG PHILLIPS SCREWS**, **4X #10 WASHERS**, AND THE **4X NYLOCK NUTS** AS SHOWN.
- INSERT THE **POLE** INTO THE **POLE MOUNTING BASE** COMPLETELY AND TIGHTEN THE **2X SET SCREWS** TO THE **POLE** TO SECURE IT. **MAKE SURE THAT THE 2X SET SCREWS ARE TIGHT AGAINST THE POLE.**

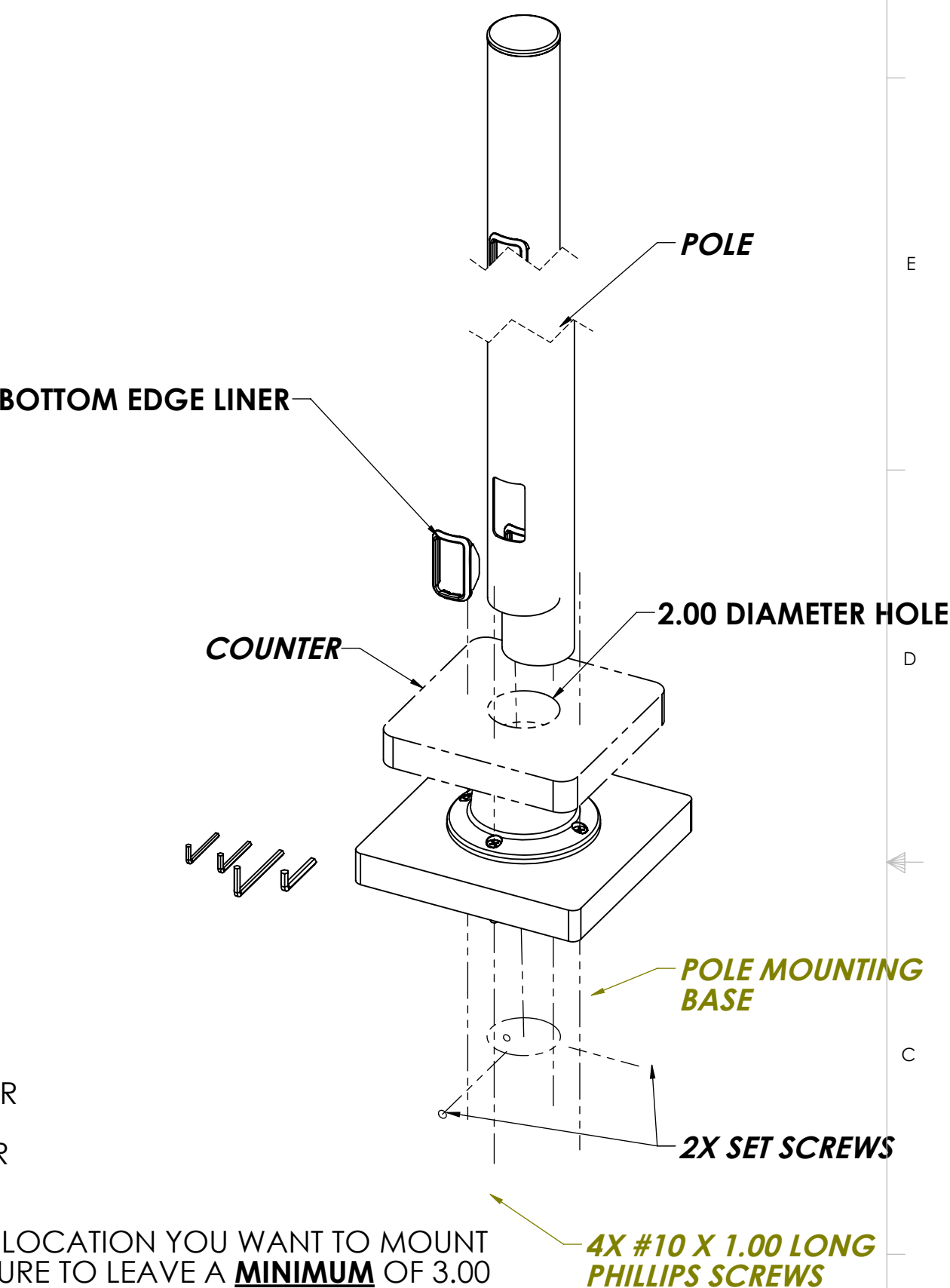


TOOLS LIST:

- 2.00 DIAMETER HOLE CUTTER
- .090 DIAMETER DRILL BIT WITH DRIVER
- 1/8 HEX KEY
- #2 PHILLIPS SCREW OR DRILL DRIVER

ASSEMBLY STEPS:

- DRILL A **2.00 DIAMETER HOLE** IN THE LOCATION YOU WANT TO MOUNT THE **POLE MOUNTING BASE**. MAKE SURE TO LEAVE A **MINIMUM** OF 3.00 INCHES FROM CENTER OF THE HOLE TO **EDGE OF COUNTER** AS SHOWN IN **DETAIL A**.
- MARK AND DRILL **4X .090 DIAMETER HOLES X .50 DEEP** ON THE UNDER SIDE OF THE **COUNTER** (USE **POLE MOUNTING BASE** AS THE TEMPLATE TO MARK HOLES). THEN ASSEMBLE THE **POLE MOUNTING BASE** TO THE **COUNTER** BY USING THE **4X #10 X 1.00 LONG PHILLIPS SCREWS** AS SHOWN (**DO NOT USE THE STOP PLATE**).
- REMOVE THE **BOTTOM EDGE LINER** BY SQUEEZING THE SIDES BETWEEN YOUR THUMB AND FINGERS LIFTING THE EDGE ENGAGED BY THE THUMB TOWARDS YOU. SET THE **BOTTOM EDGE LINER** ASIDE.
- INSERT THE **POLE** INTO THE **POLE MOUNTING BASE** COMPLETELY AND TIGHTEN THE **2X SET SCREWS** TO THE **POLE** TO SECURE IT. **MAKE SURE THAT THE 2X SET SCREWS ARE TIGHT AGAINST THE POLE.**



REV.	DESCRIPTION	DATE	BY	CHK'D
A	RELEASED FOR PROTOTYPE	9/23/15	JEB	RKT

DIMS. AND TOLERANCES PER ASME Y14.5 - 1994 UNLESS OTHERWISE SPECIFIED DIMENSIONS ARE IN INCHES TOLERANCES ARE:	DRAWN J. BROWN DATE 9/23/2015 CHECKED DATE DO NOT SCALE DRAWING MATERIAL N/A FINISH N/A	TITLE TECHTOWER, INSTALLATION INSTRUCTIONS, GROMMET MOUNT BASE, 24" POLE WITH EDGE LINERS
FRACTIONAL ± 1/32 2 PLC. DEC. ± .03 3 PLC. DEC. ± .010 ANGULAR ± 0°30'	MATERIAL N/A FINISH N/A	SIZE C DWG. NO. 367-4005-11 REV. A SHEET 1 OF 1

THE INFORMATION CONTAINED IN THIS DRAWING IS THE SOLE PROPERTY OF HAVIS AND REPRODUCTION IN PART OR IN WHOLE WITHOUT THE WRITTEN PERMISSION OF HAVIS IS PROHIBITED.