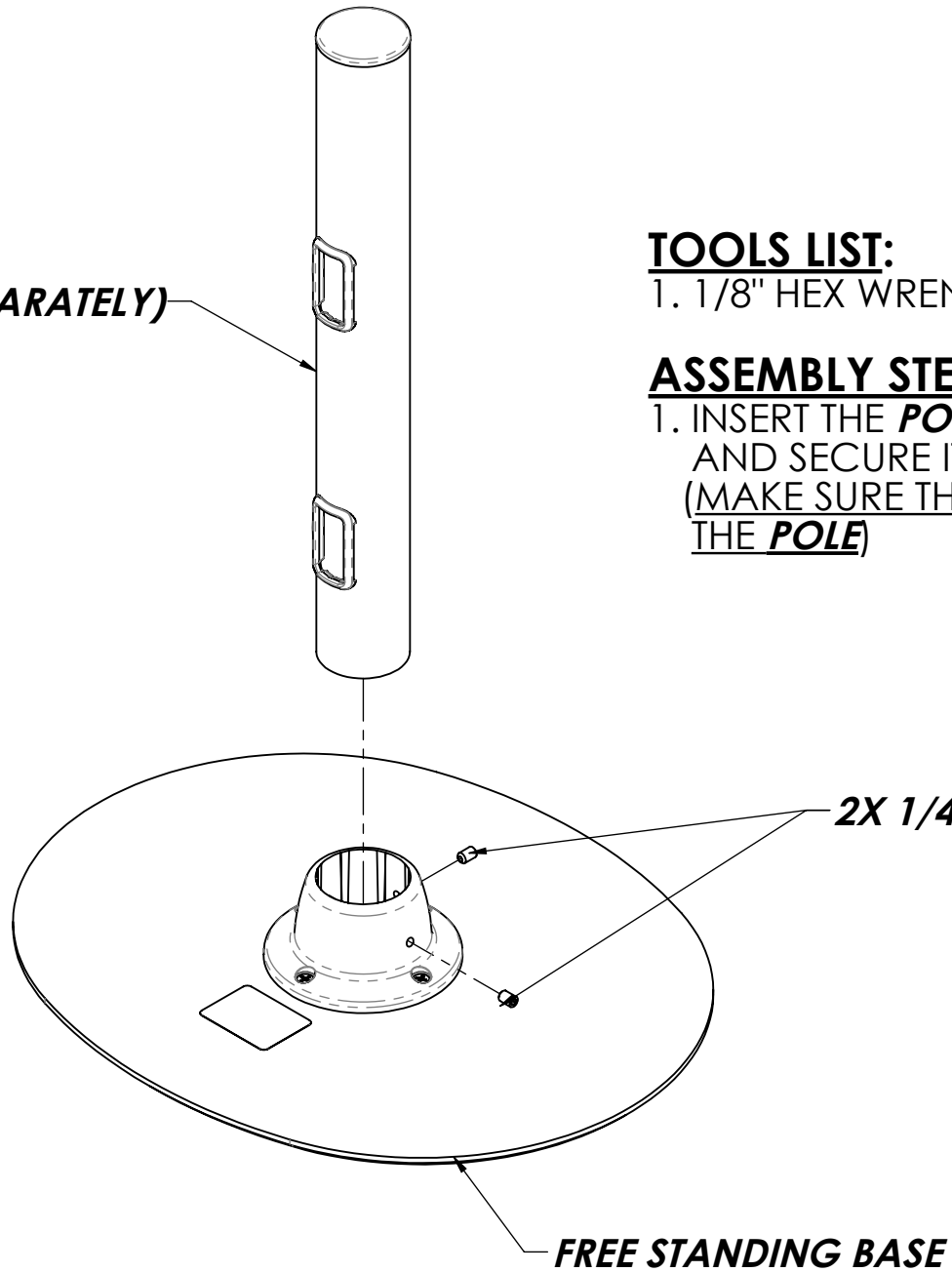


INSTALLATION INSTRUCTIONS

**POLE
(SOLD SEPARATELY)**

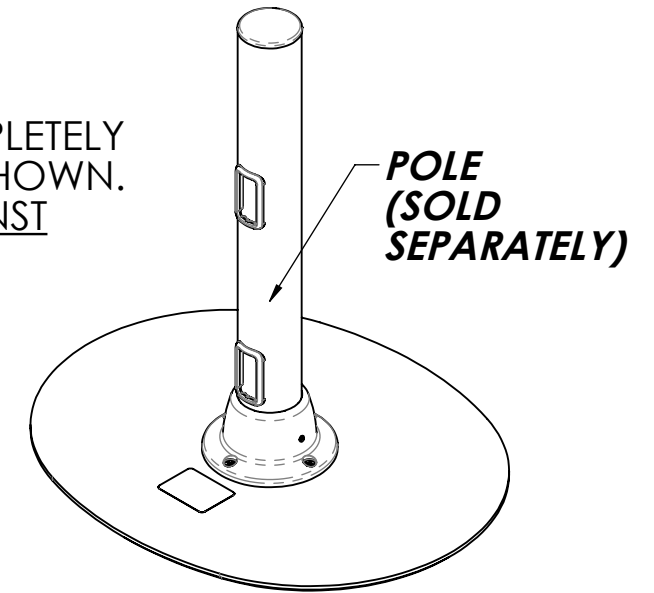


TOOLS LIST:

- 1. 1/8" HEX WRENCH

ASSEMBLY STEPS:

1. INSERT THE **POLE** INTO THE **FREE STANDING BASE** COMPLETELY AND SECURE IT USING THE **2X 1/4-20 SET SCREWS** AS SHOWN. (MAKE SURE THAT THE **2X SET SCREWS** ARE TIGHT AGAINST THE **POLE**)



THE INFORMATION CONTAINED IN THIS DRAWING IS THE SOLE PROPERTY OF HAVIS AND REPRODUCTION IN PART OR IN WHOLE WITHOUT THE WRITTEN PERMISSION OF HAVIS IS PROHIBITED.

DIMS. AND TOLERANCES PER ASME Y14.5 - 1994		UNLESS OTHERWISE SPECIFIED DIMENSIONS ARE IN INCHES TOLERANCES ARE:	FRACTIONAL ± 1/32	2 PLC. DEC. ± .03	3 PLC. DEC. ± .010	ANGULAR ± 0°30'
REV.	DESCRIPTION	DATE	CHECKED	DATE	DO NOT SCALE DRAWING	
A		09/23/15	JEB	JEB	A	
		DATE	BY	CHK'D		
DRAWN J.BROWN		DATE 9/23/2015		HAVIS		
MATERIAL SEE B.O.M.		FINISH N/A		TITLE TECHTOWER, CUSTOMER INSTRUCTIONS, BASE, FREE-STANDING, FOR USE WITH Ø2.00" POLES UP TO 16" LONG		
SIZE B		DWG. NO. 367-4005-30		REV. A		
				SHEET 1 OF 1		