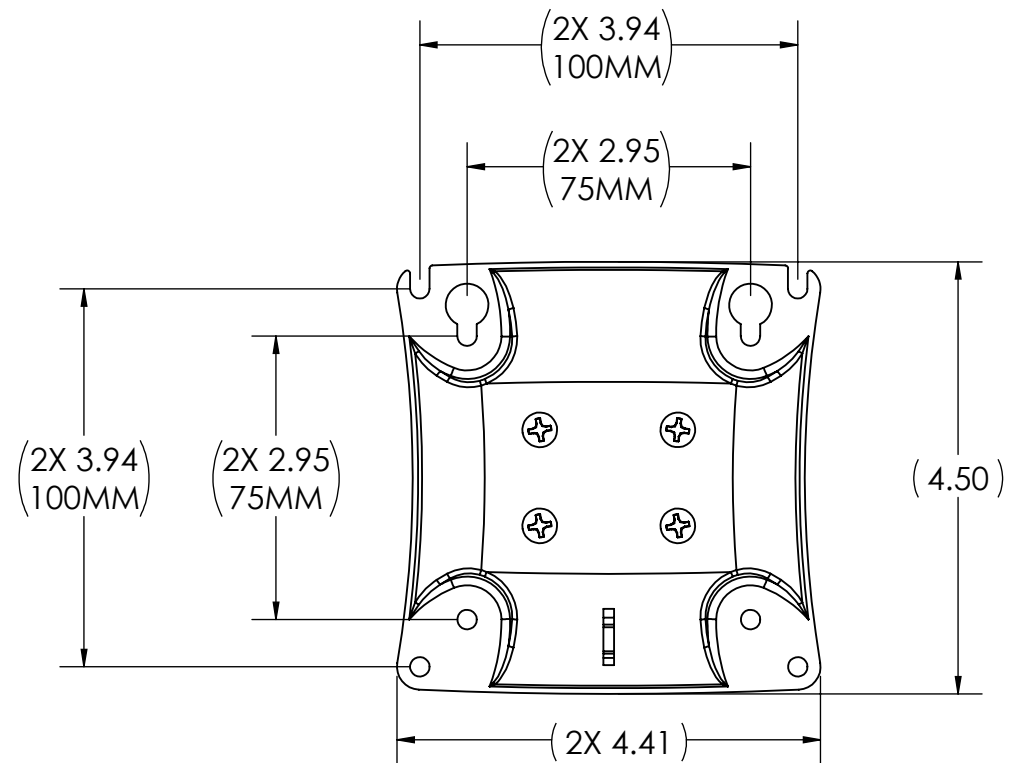
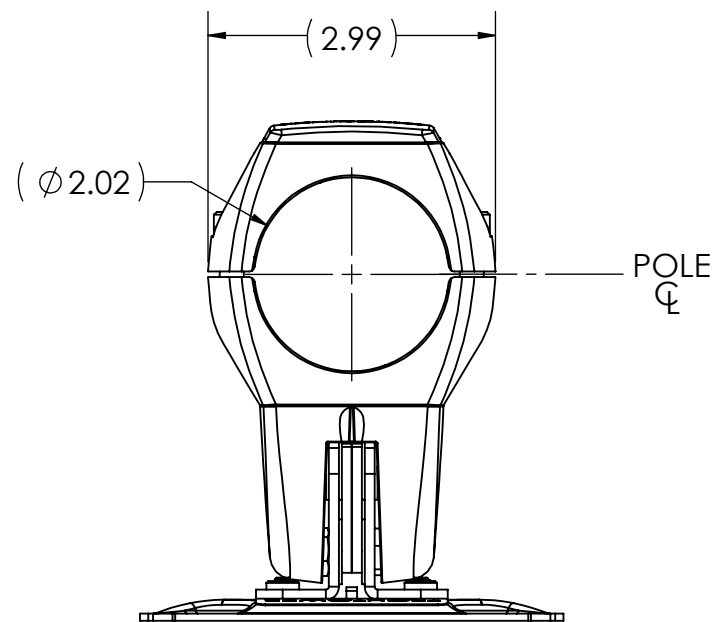
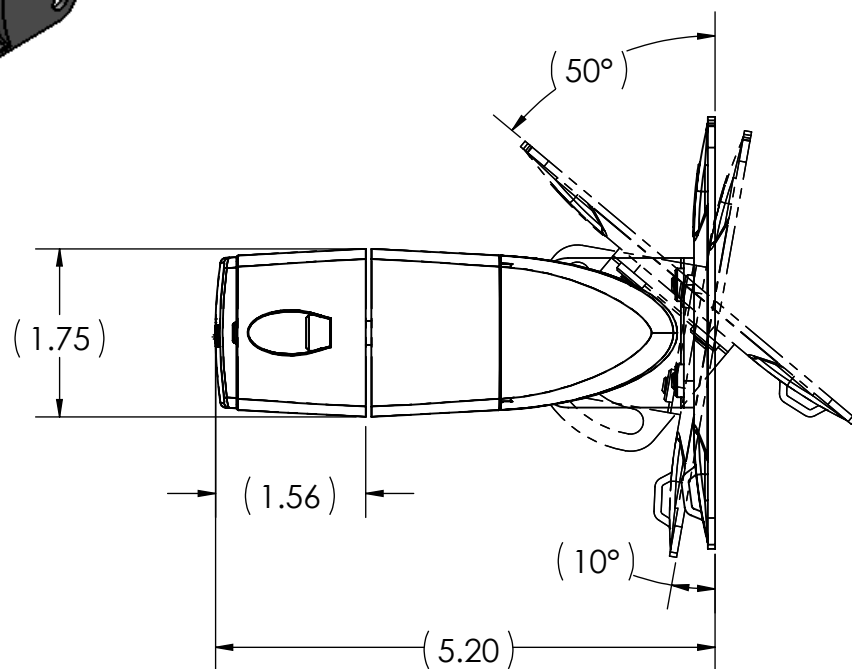


FIXED POLE CLAMP


**MONITOR PIVOT (INCLUDED)
FOR 75 mm AND 100 mm VESA
COMPLIANT MONITORS
(20 LBS MAX)**



THE INFORMATION CONTAINED IN THIS DRAWING IS THE SOLE PROPERTY OF HAVIS AND REPRODUCTION IN PART OR IN WHOLE WITHOUT THE WRITTEN PERMISSION OF HAVIS IS PROHIBITED.

HAVIS

CUSTOMER VERIFICATION AND AUTHORIZATION

| REV. | DESCRIPTION | DATE | BY | CHK'D |
|---|------------------------|-------------------------|-----------|--------------|
| A | RELEASED FOR PROTOTYPE | 09/23/15 | JEB | JEB |
| DRAWN J. BROWN | | | | |
| DATE 09/23/2015 | | | | |
| CUSTOMER APPROVAL (SIGNATURE REQUIRED): | | | | |
|  | | | | |
| TITLE TECHTOWER, MONITOR PIVOT, SINGLE (UP/DOWN) FOR ONE MONITOR, FIXED POLE CLAMP INCLUDED | | | | |
| DATE | SIZE B | DWG. NO. 367-4008-11 | REV. A | SHEET 1 OF 1 |