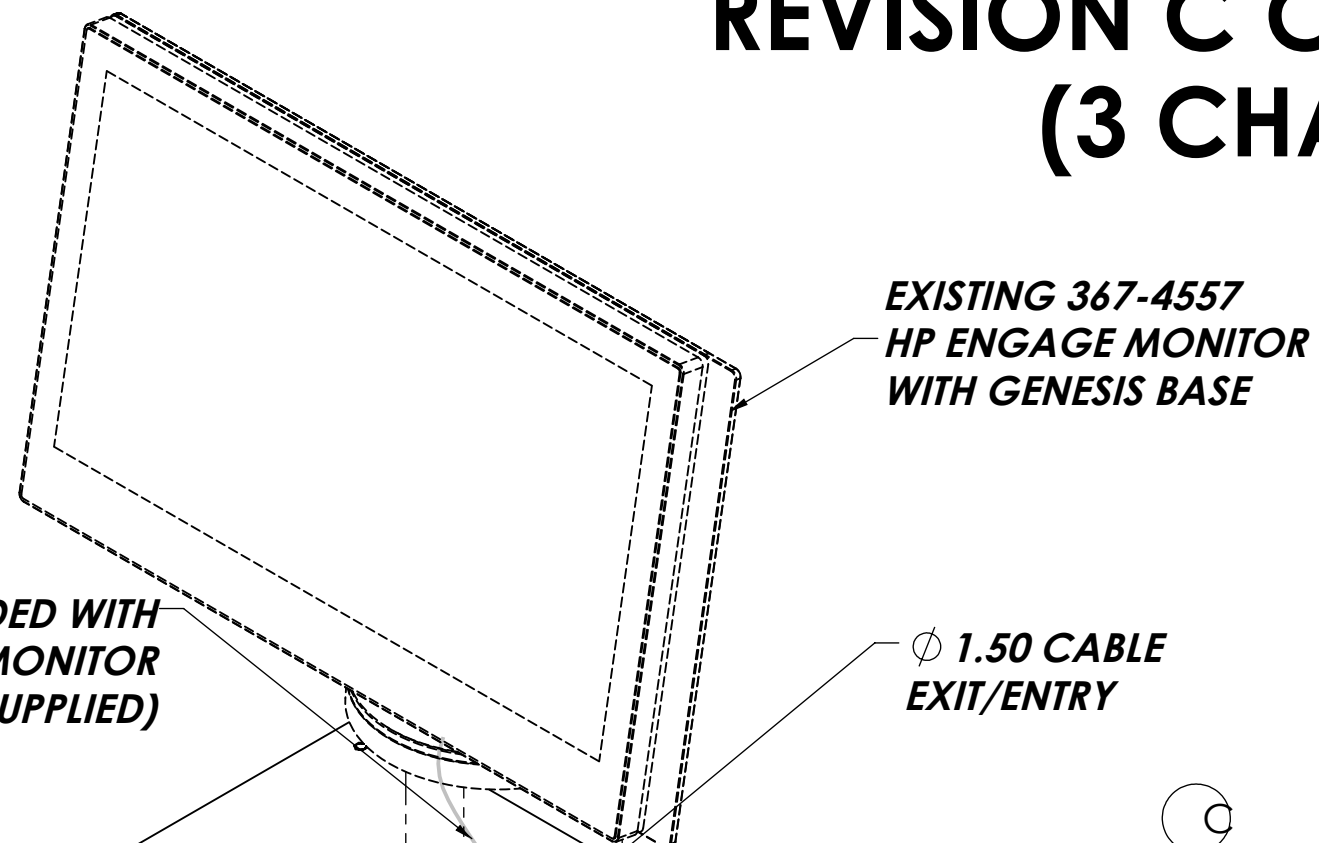


REVISION C CHANGES = C (3 CHANGES)



**CABLE, INCLUDED WITH
HP ENGAGE ONE MONITOR
(CUSTOMER SUPPLIED)**

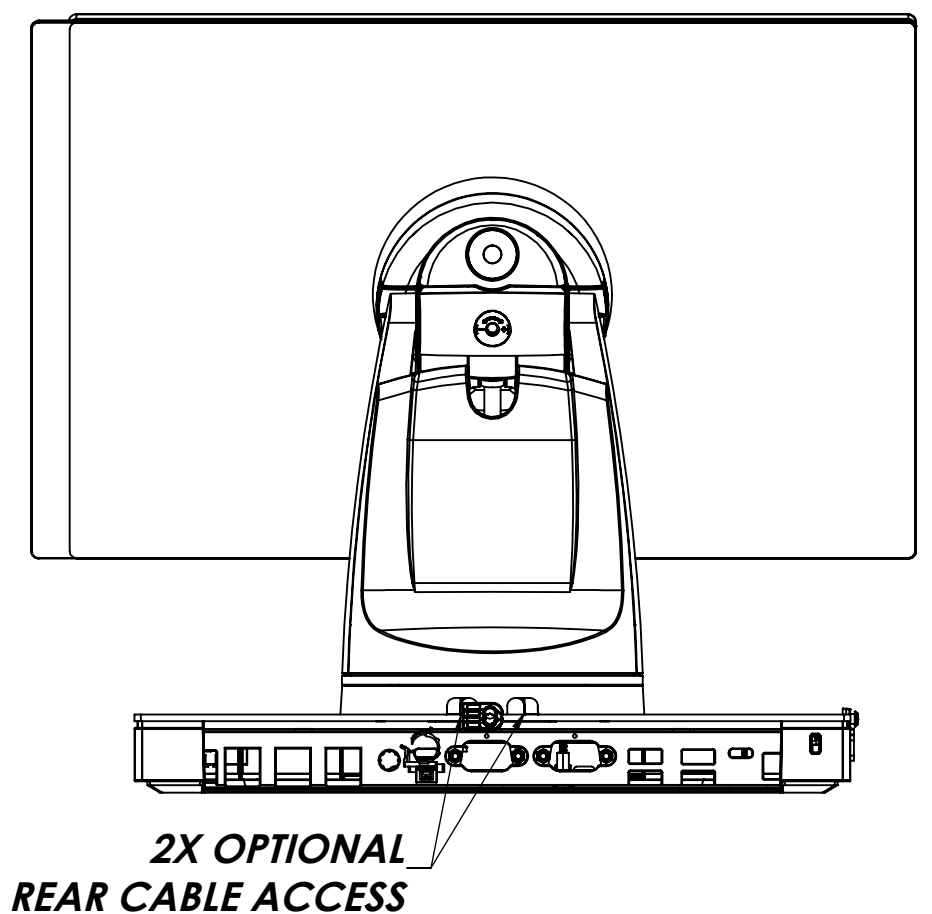
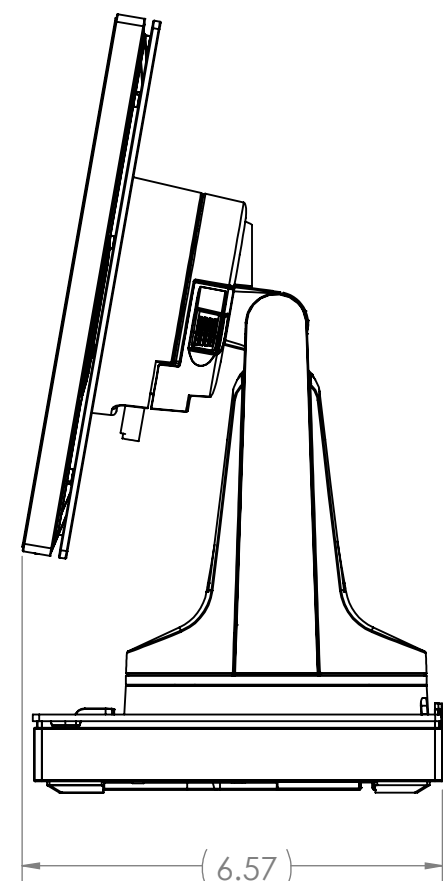
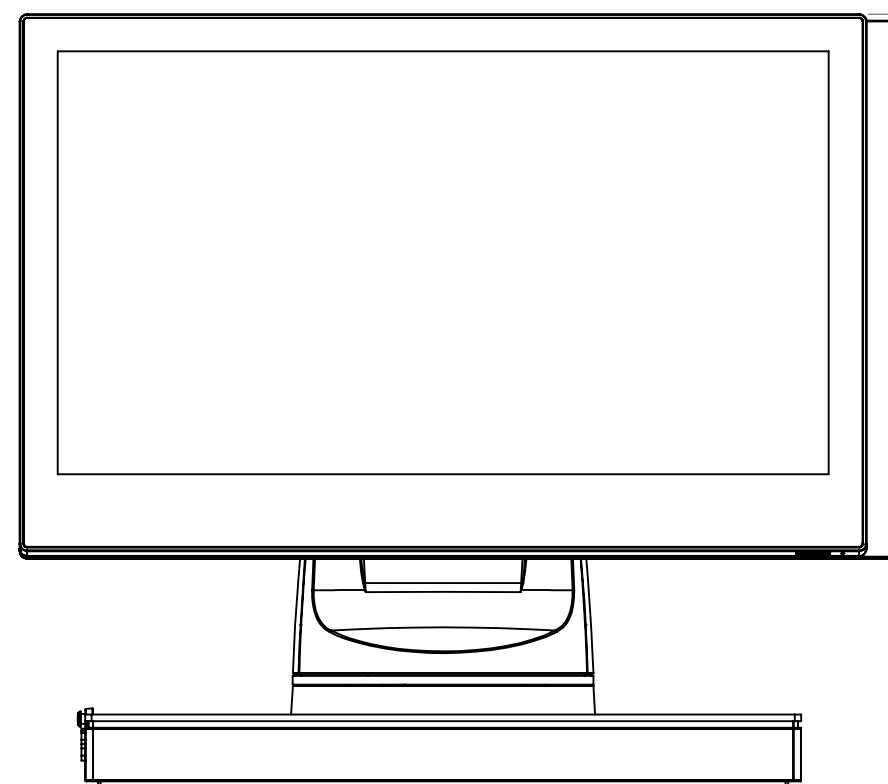
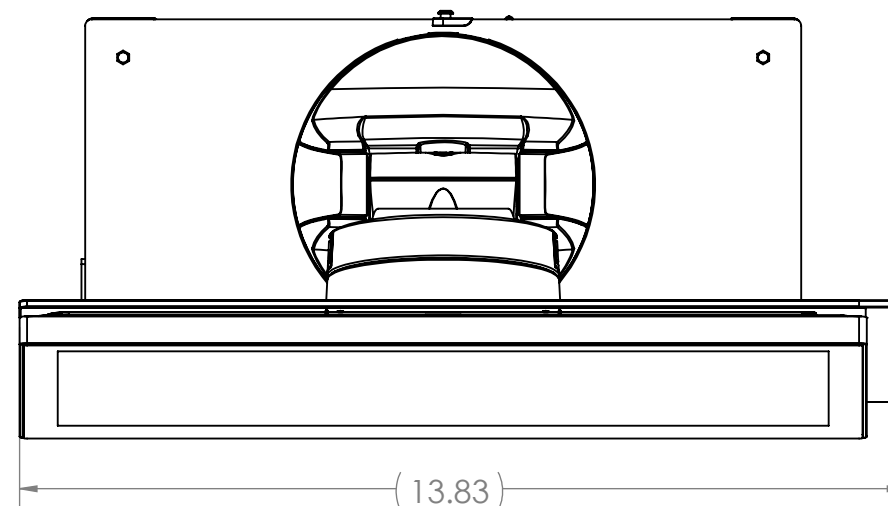
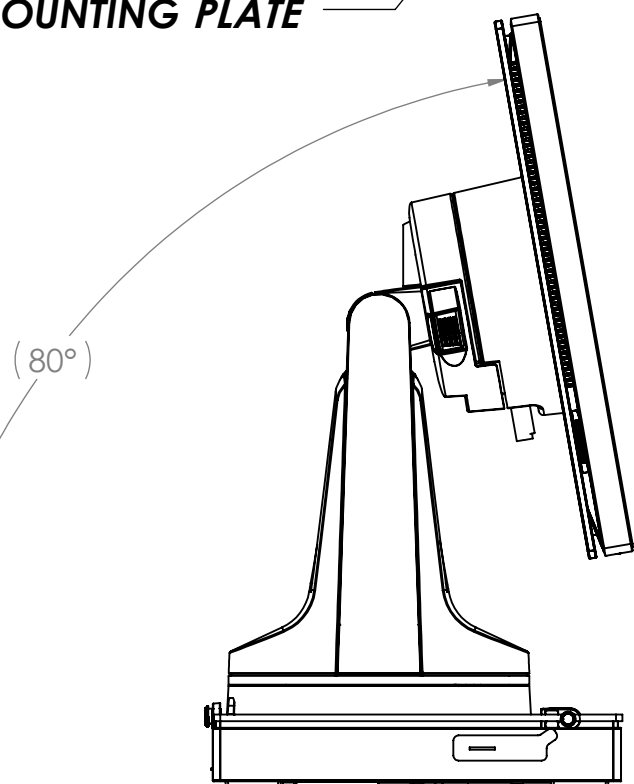
ϕ 1.50 CABLE
EXIT/ENTRY

**CABLE, INCLUDED WITH
HP USB CONNECTIVITY
BASE (CUSTOMER
SUPPLIED)**

HUB MOUNTING PLATE

**HP USB
CONNECTIVITY BASE**

**4X CAPTIVE M3 BOLTS
ATTACH CONNECTIVITY BASE
TO HUB MOUNTING PLATE**



PARTS INCLUDED WITH 367-4557-2

- 1. HUB MOUNTING PLATE
- 2. 3X #6-32 X .31 PHILLIPS SCREWS

**ENS HUB MOUNTING PLATE
CONNECTS ENS GENESIS STANDS TO
HP PORT HUB**
COLOR: ALL BLACK
LOCKING MECHANISM: N/A
HEIGHT ADJUST: N/A
PIVOT: N/A
SWIVEL: N/A
HEIGHT: 0.50"
WEIGHT: 2 lbs

THE INFORMATION CONTAINED IN THIS DRAWING IS THE SOLE PROPERTY OF HAVIS AND REPRODUCTION IN PART OR IN WHOLE WITHOUT THE WRITTEN PERMISSION OF HAVIS IS PROHIBITED.
 ALL DIMENSIONS ARE IN INCHES UNLESS STATED OTHERWISE.



| REV. C | HUB MOUNTING PLATE DESIGN MODIFIED. ADDED NOTES TO DEFINE WHO PROVIDES CABLES | 6/2/20 | TAS | AZM |
|---|---|----------|--------------|-------|
| REV. B | HUB MOUNTING PLATE DESIGN MODIFIED | 06/03/19 | ARS | TAS |
| REV. | DESCRIPTION | DATE | BY | CHK'D |
| DRAWN A. SCHLEY | | | | |
| DATE 5/7/2019 | | | | |
| CUSTOMER APPROVAL (SIGNATURE REQUIRED): | | | | |
| DATE | | | | |
| SIZE C | DWG. NO. 367-4557-2 | REV. C | SHEET 1 OF 1 | |