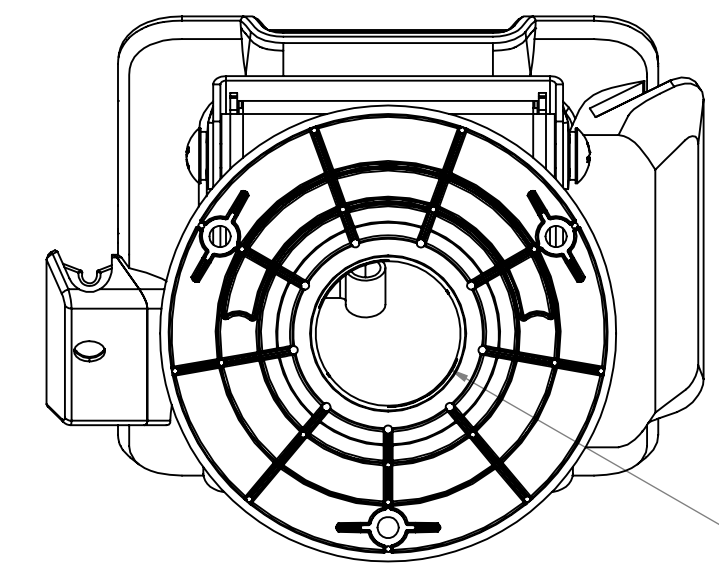
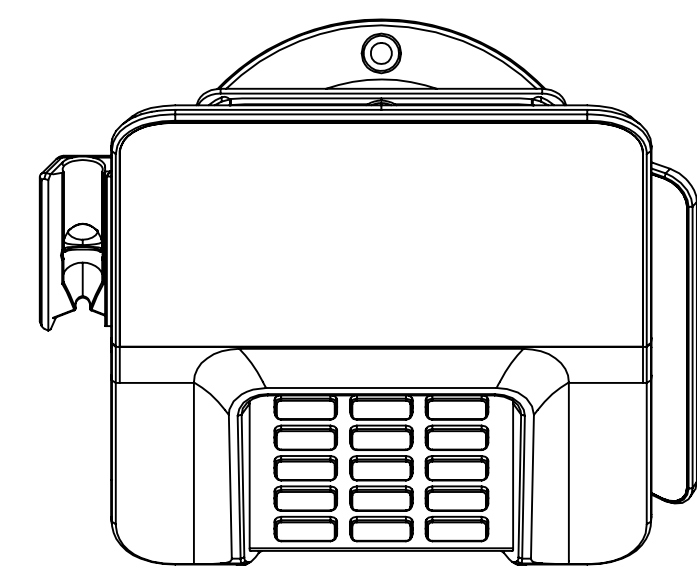
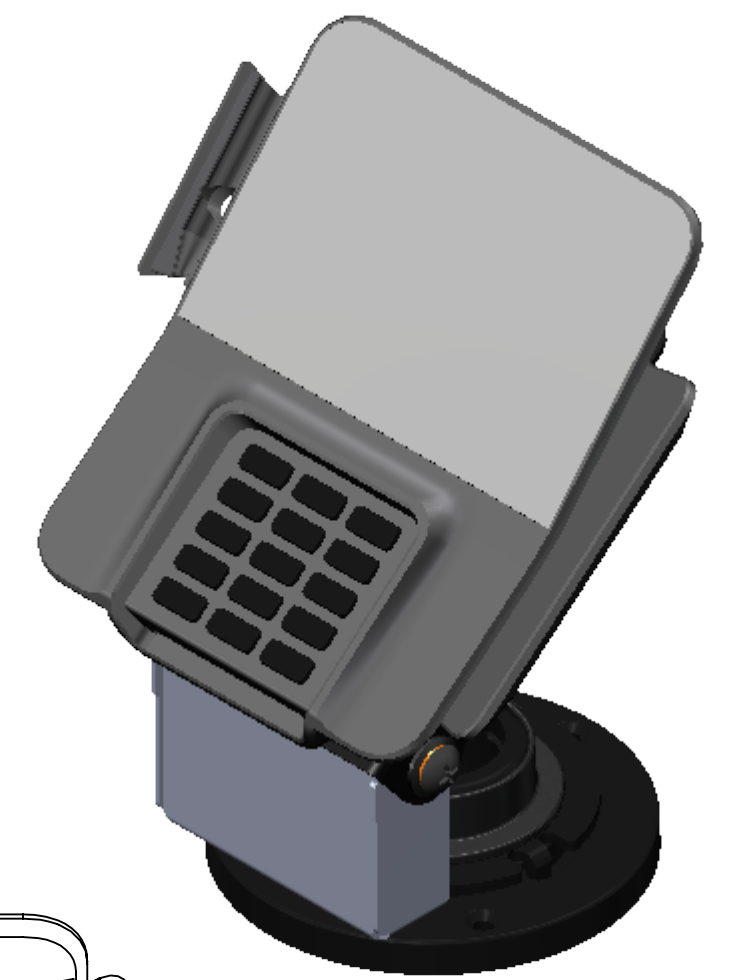
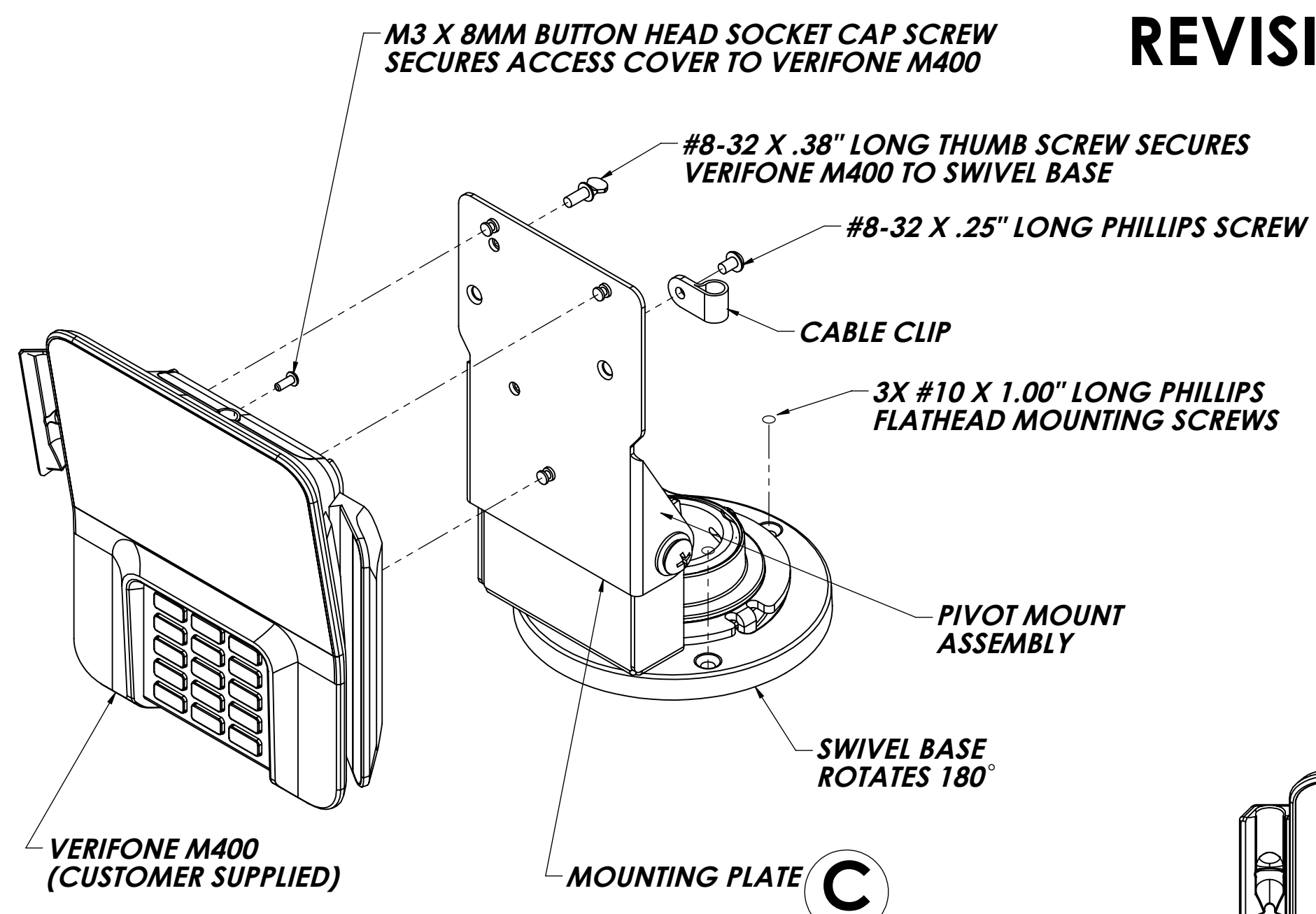
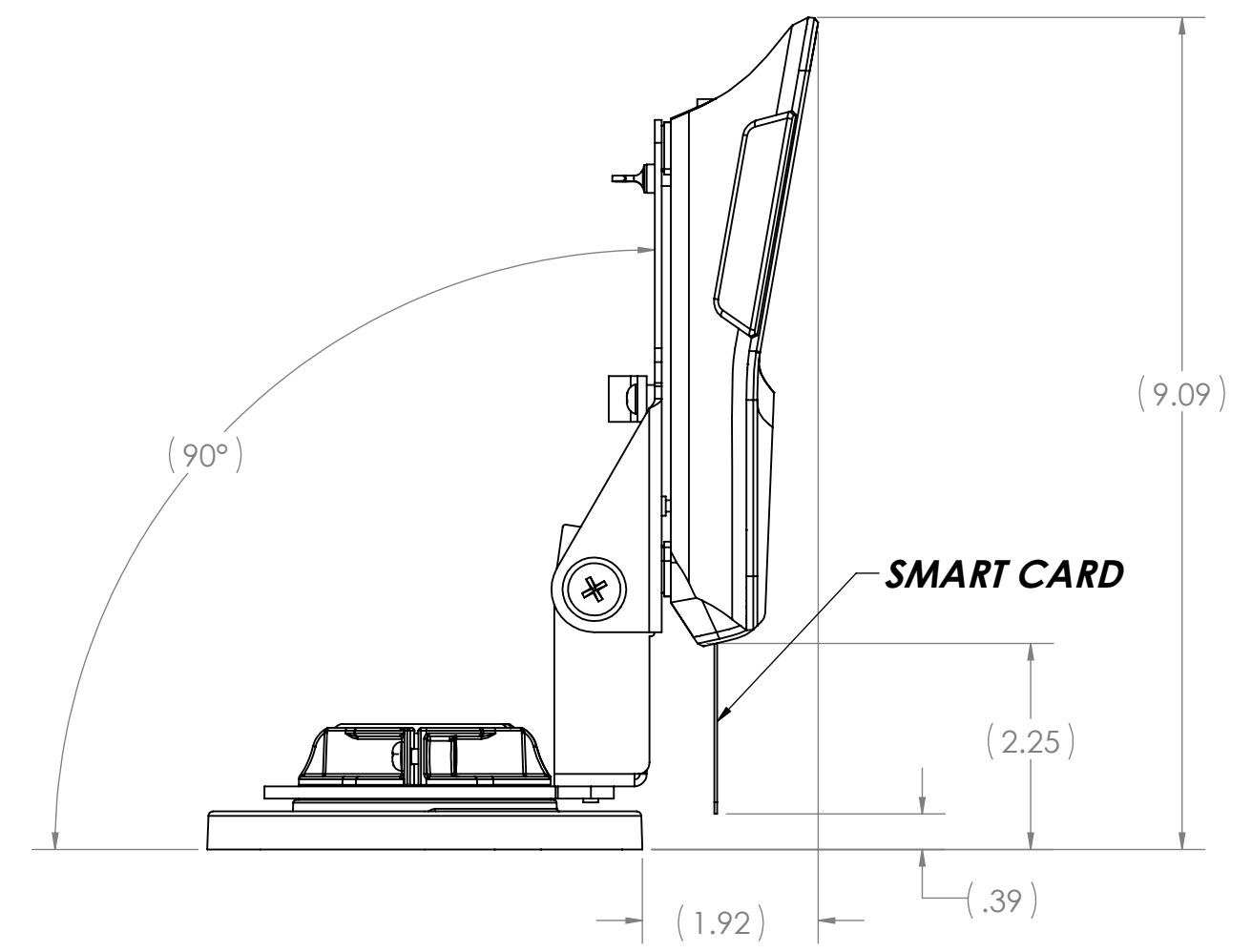
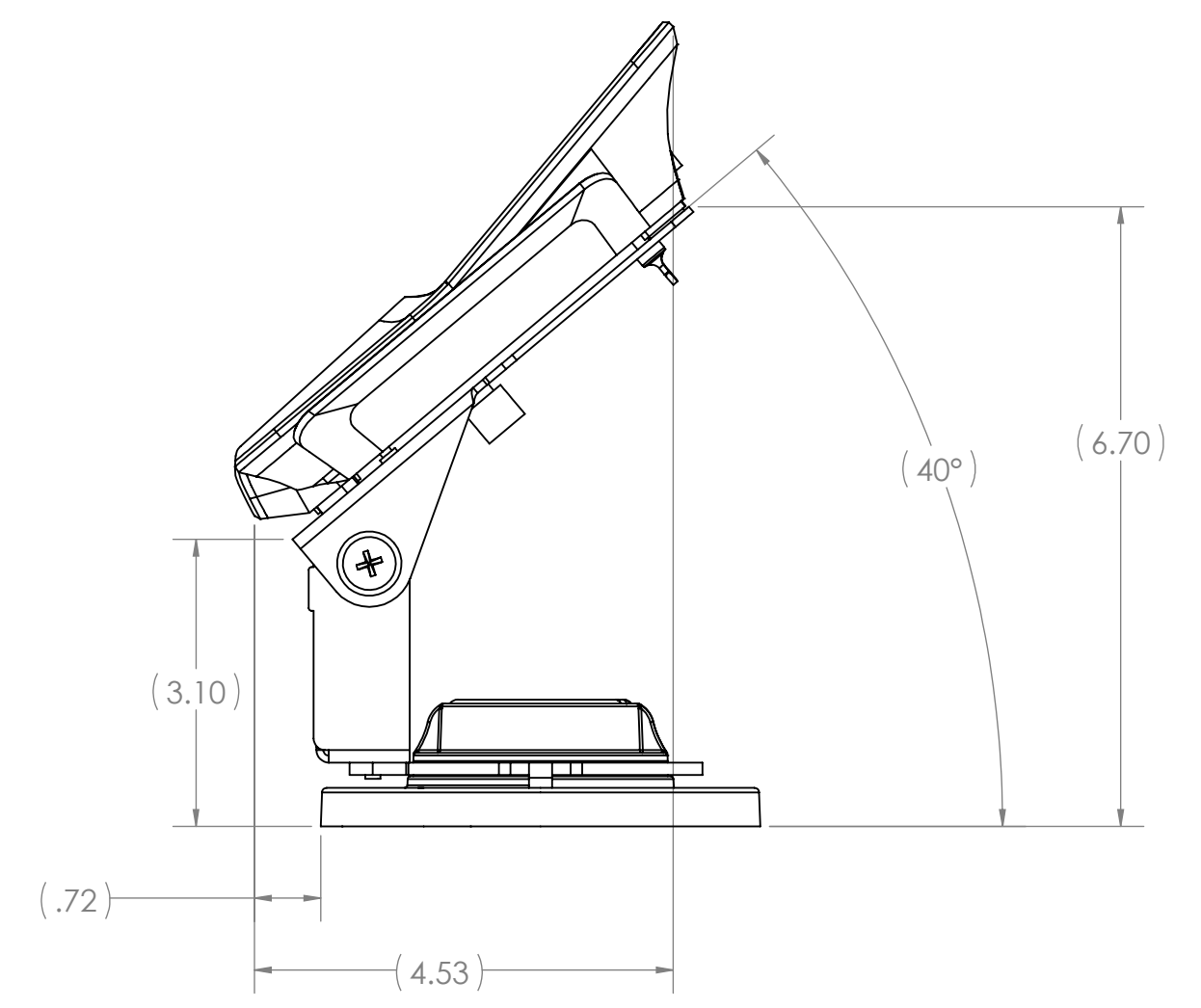
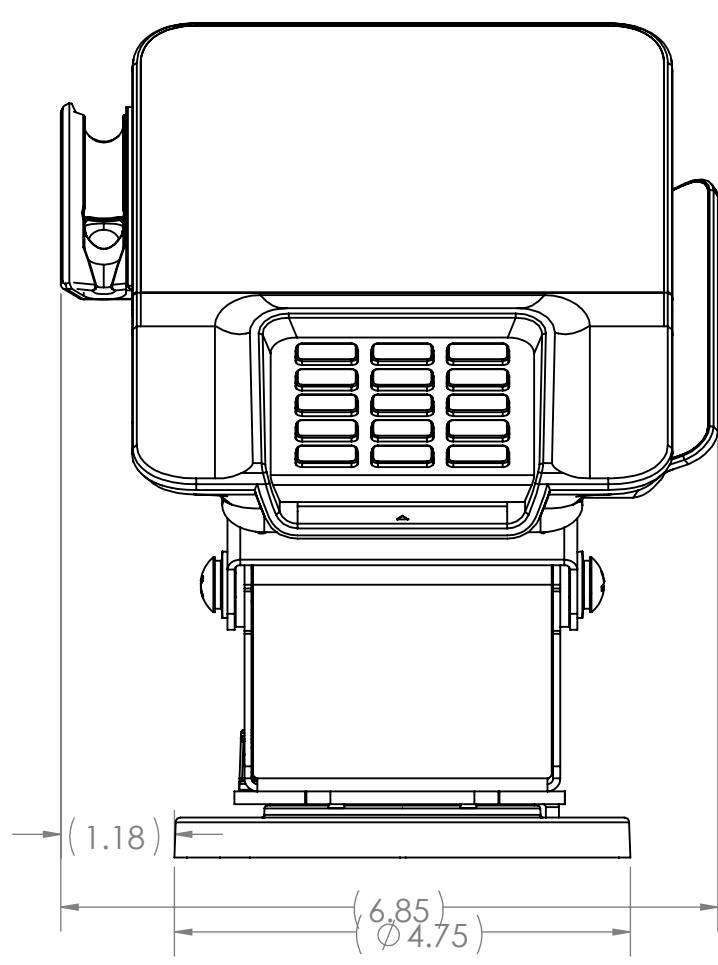


REVISION C CHANGES = **C** (1 CHANGE)



BOTTOM VIEW



ROHS COMPLIANT

THE INFORMATION CONTAINED IN THIS DRAWING IS THE SOLE PROPERTY OF HAVIS AND REPRODUCTION IN PART OR IN WHOLE WITHOUT THE WRITTEN PERMISSION OF HAVIS IS PROHIBITED.
ALL DIMENSIONS ARE IN INCHES UNLESS STATED OTHERWISE.



C	REVISED PIVOT AND MOUNTING PLATE	09/08/22	WJC	
B	REVISED MOUNTING PLATE	10/26/17	TAS	AZM
REV.	DESCRIPTION	DATE	BY	CHK'D
DRAWN	T. STRAND			
DATE	9/26/2017			
CUSTOMER APPROVAL (SIGNATURE REQUIRED):				
DATE	SIZE	DWG. NO.	REV. C	
	C	367-4615	SHEET 1 OF 1	



TITLE
LOW CONTOUR STAND 8°-90°, CENTER HOLE SWIVEL, WITH SMART CARD CLEARANCE, VERIFONE M400