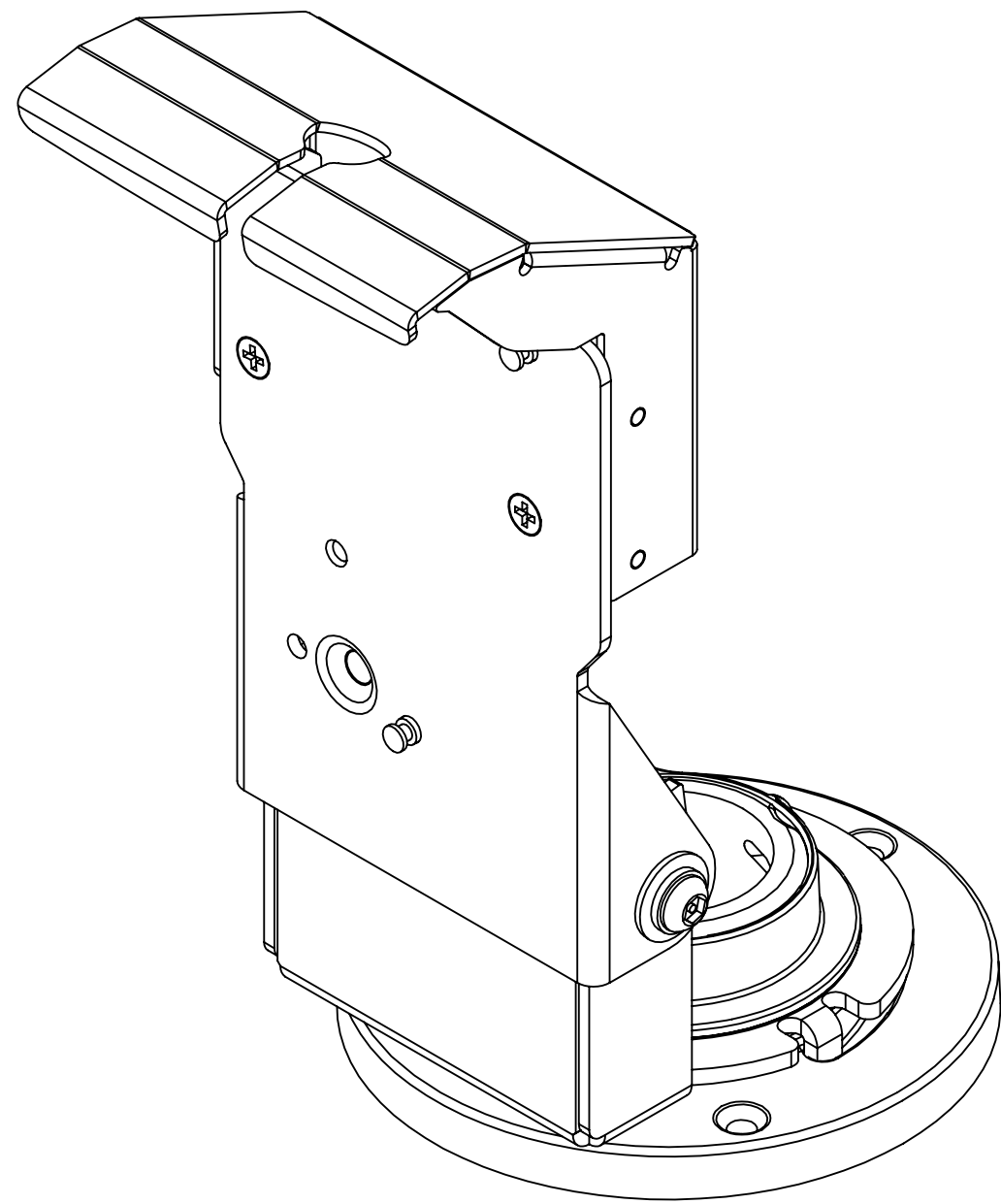


# REVISION C CHANGES = C (1 CHANGE)



**C**  
**REAR LOCKING BRACKET  
 WORKS WITH VERIFONE M400  
 (INCLUDED)**

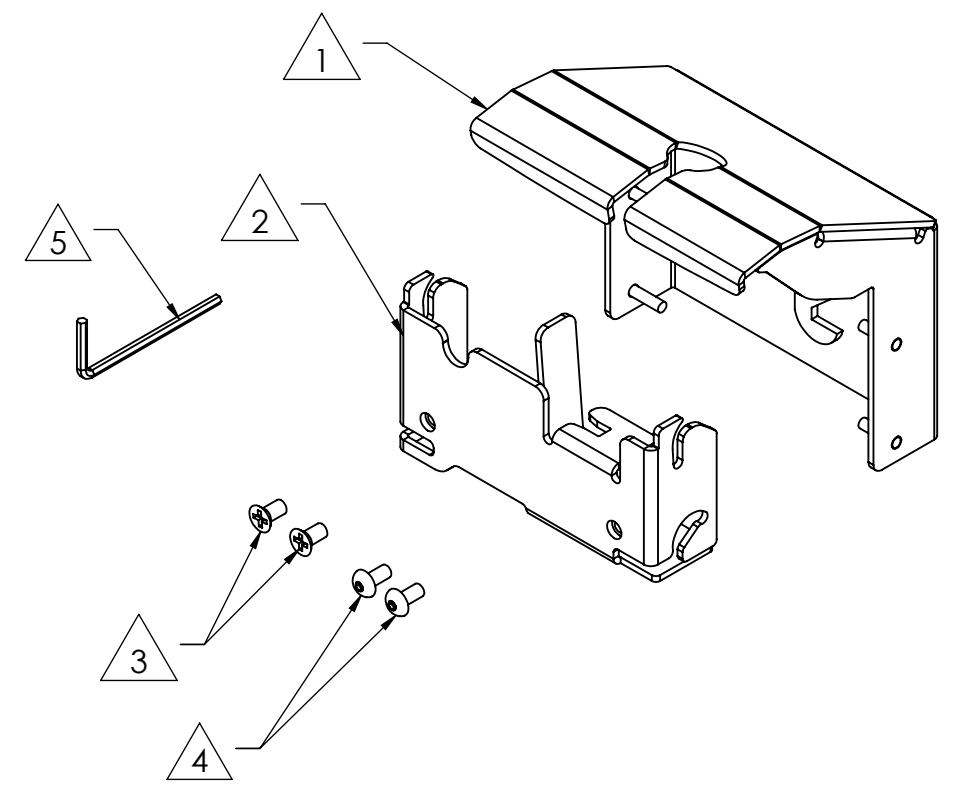
**FIXED LOCKING BRACKET  
 ATTACHES TO EXISTING ENS STAND  
 (INCLUDED)**

**2X #8-32 X .313" LONG PHILLIPS SCREWS  
 (INCLUDED)**

**CUSTOMER'S VERIFONE M400**

**EXISTING STAND**

**REFERENCE 367-4616-B  
 FOR  
 DIMENSIONS AND FEATURES**



**367-4617-C PRODUCT INCLUDES:**

1. REAR LOCKING BRACKET
2. FIXED LOCKING BRACKET
3. 2X #8-32 X .313" LONG PHILLIPS FLATHEAD SCREWS
4. 2X #8-32 X .313" LONG BUTTON SOCKET HEAD SCREWS
5. 3/32 HEX KEY

**ROHS COMPLIANT**

THE INFORMATION CONTAINED IN THIS DRAWING IS THE SOLE PROPERTY OF HAVIS AND REPRODUCTION IN PART OR IN WHOLE WITHOUT THE WRITTEN PERMISSION OF HAVIS IS PROHIBITED.  
 ALL DIMENSIONS ARE IN INCHES UNLESS STATED OTHERWISE.



C	REVISED LOCKING PLATE	10/12/20	JVT	SY
B	RELEASED FOR PROTOTYPE	10/26/17	TAS	AZM
REV.	DESCRIPTION	DATE	BY	CHK'D
DRAWN T. STRAND				
DATE 9/26/2017				
CUSTOMER APPROVAL (SIGNATURE REQUIRED):		TITLE REAR LOCKING, ADD-ON KIT, VERIFONE M400		
DATE	SIZE C	DWG. NO. 367-4617	REV. C	SHEET 1 OF 1