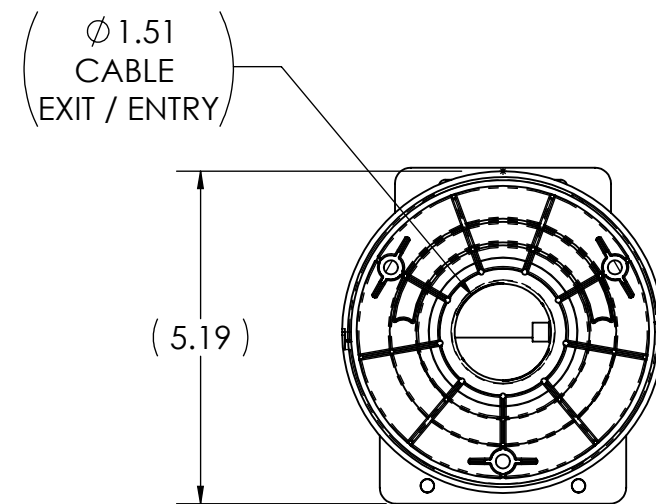
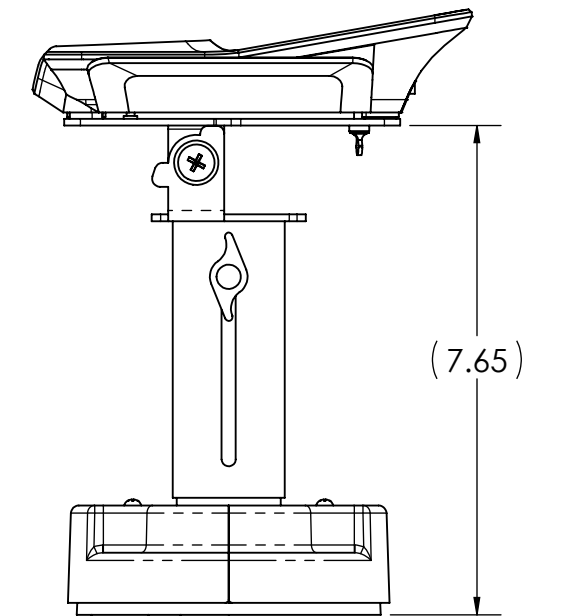
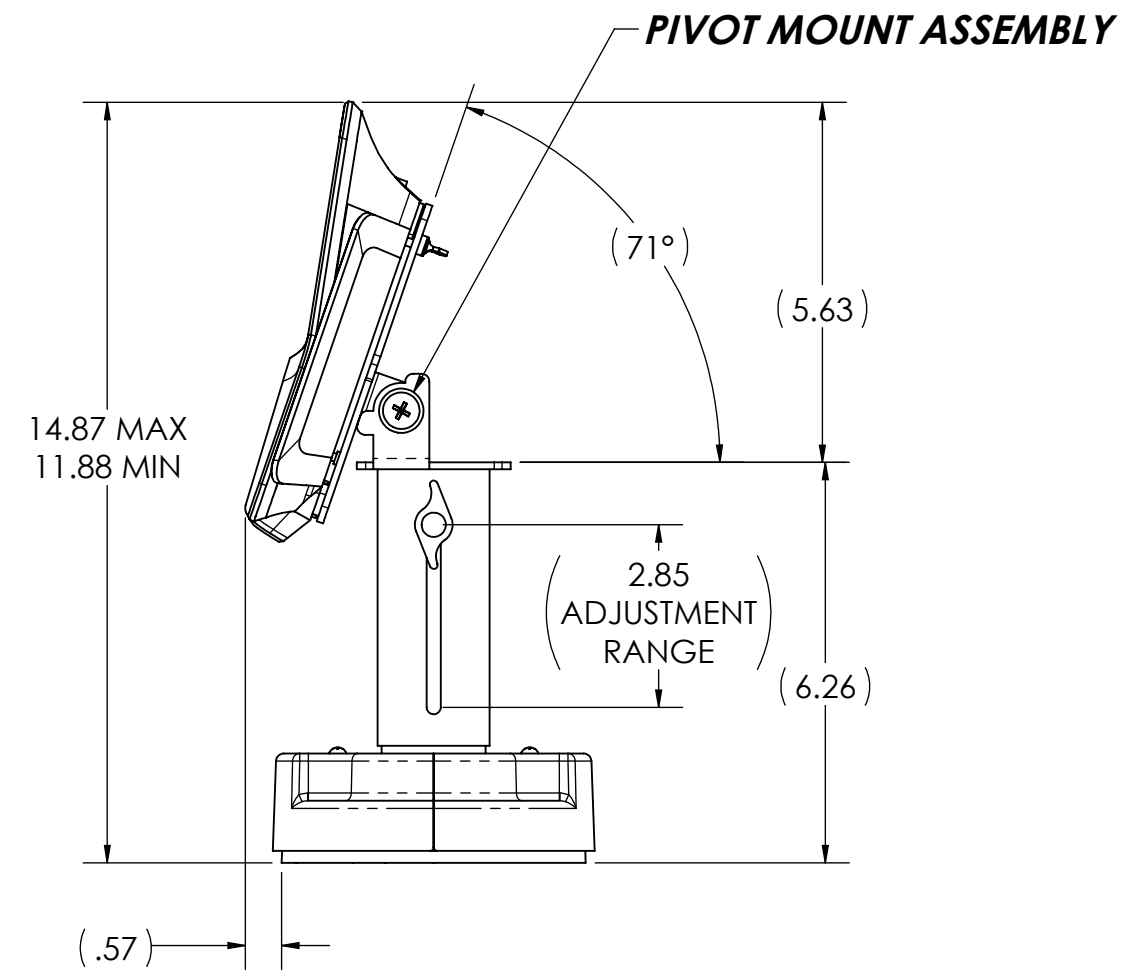
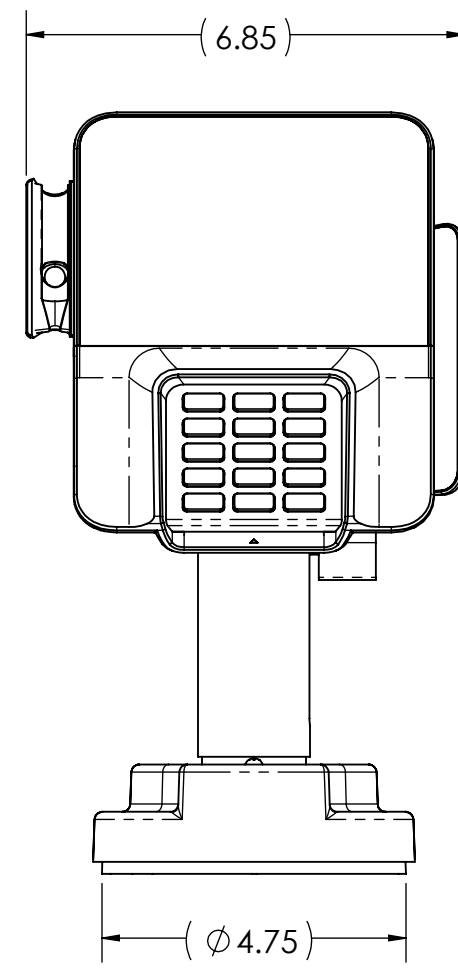
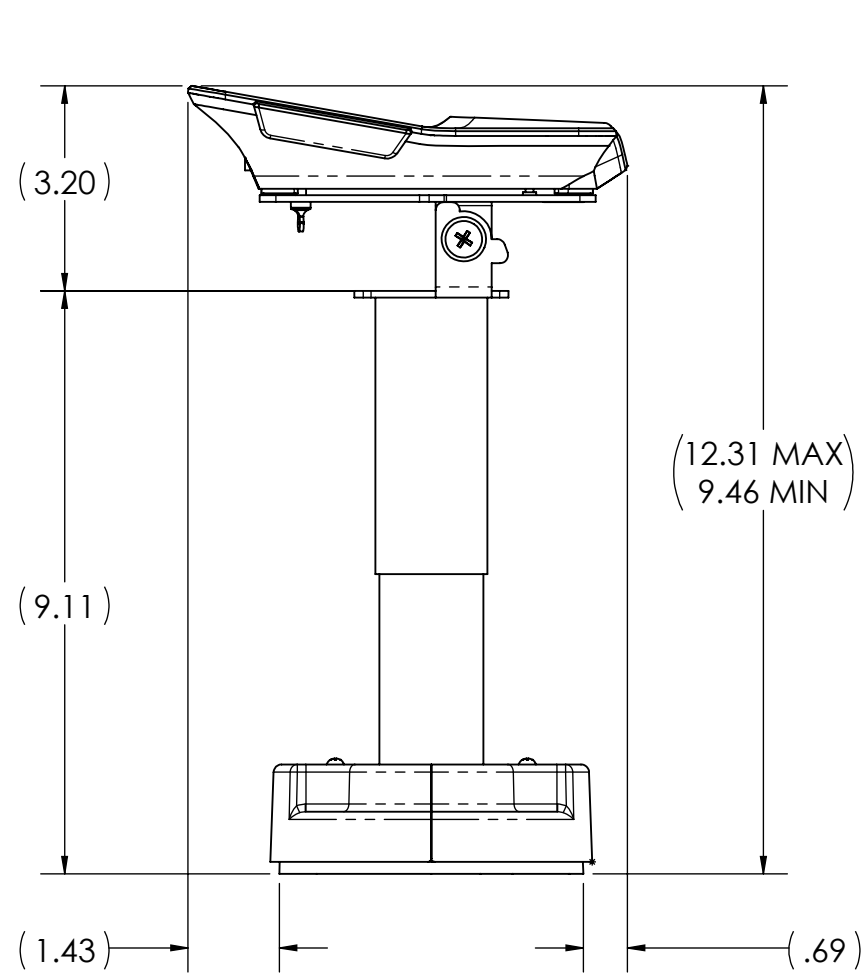
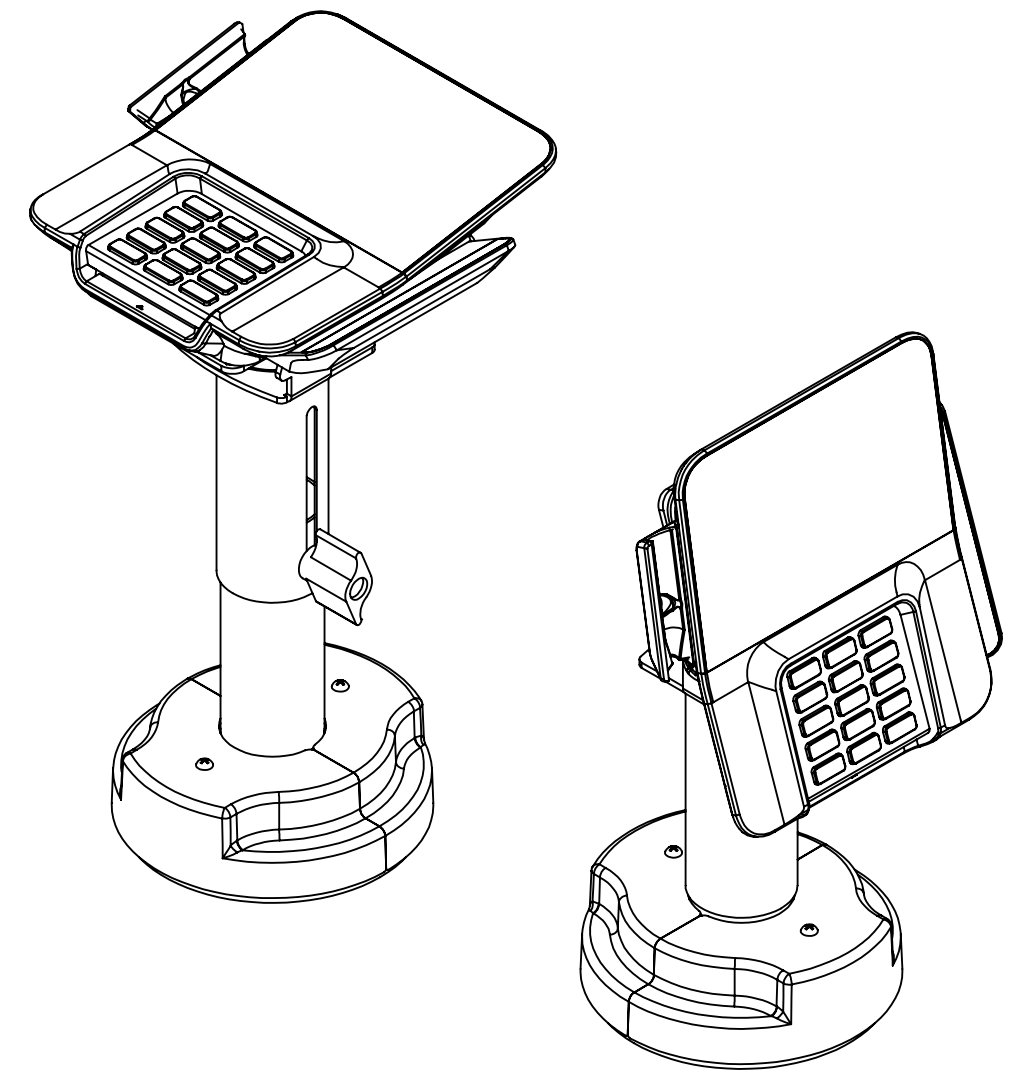


**TOP VIEW**



THE INFORMATION CONTAINED IN THIS DRAWING IS THE SOLE PROPERTY OF HAVIS AND REPRODUCTION IN PART OR IN WHOLE WITHOUT THE WRITTEN PERMISSION OF HAVIS IS PROHIBITED.  
ALL DIMENSIONS ARE IN INCHES UNLESS STATED OTHERWISE.



REV.	DESCRIPTION	DATE	BY	CHK'D
A	RELEASED FOR PROTOTYPE	10/20/17	TAS	AZM

DRAWN T. STRAND		<b>HAVIS</b>		
DATE	10/20/2017			
CUSTOMER APPROVAL (SIGNATURE REQUIRED):		TITLE TELESCOPING STAND, CENTER HOLE SWIVEL, VERIFONE M400		
DATE	SIZE C	DWG. NO. 367-4633	REV. A SHEET 1 OF 1	