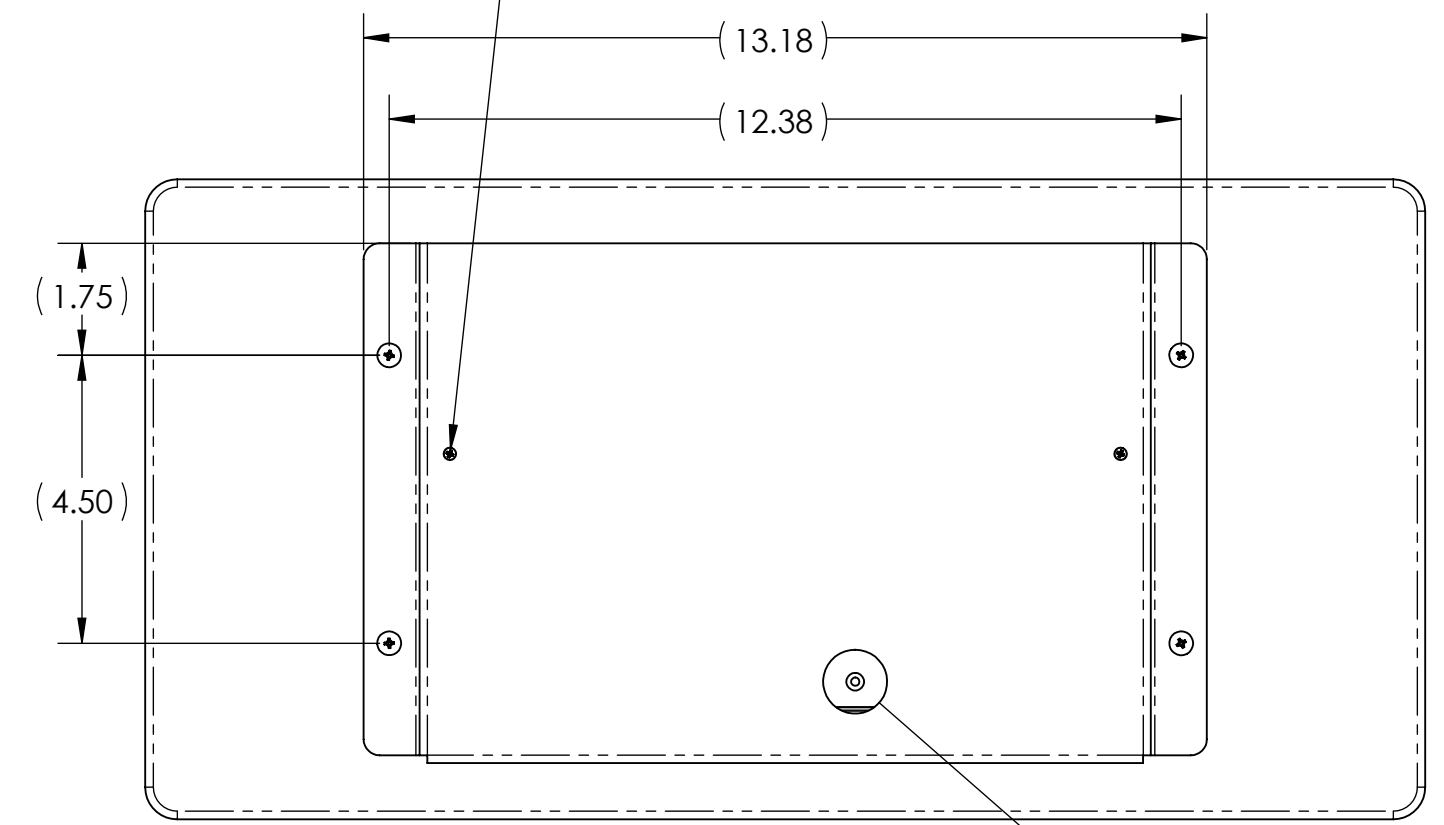
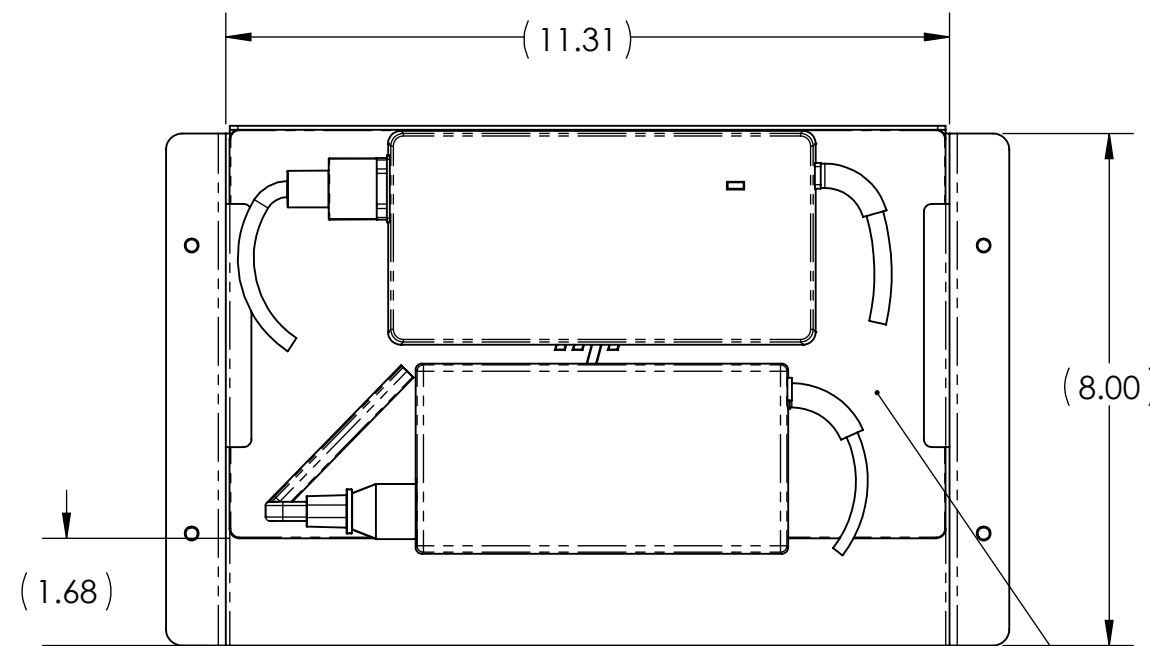


2X 2.5MM X 8MM LONG PHILLIPS SCREWS, SECURE THE HP ENGAGE ONE CONNECTIVITY BASE (OPTIONAL)

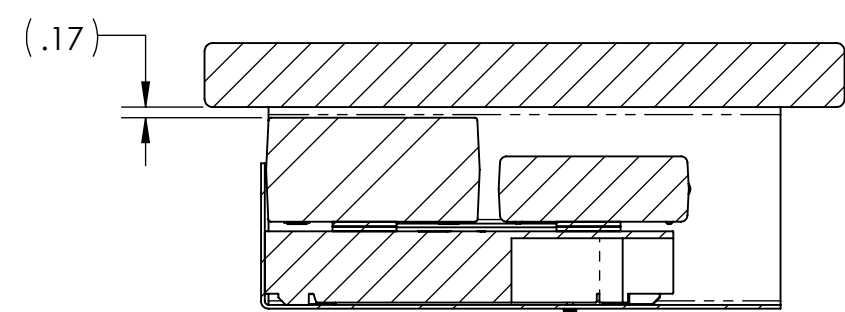
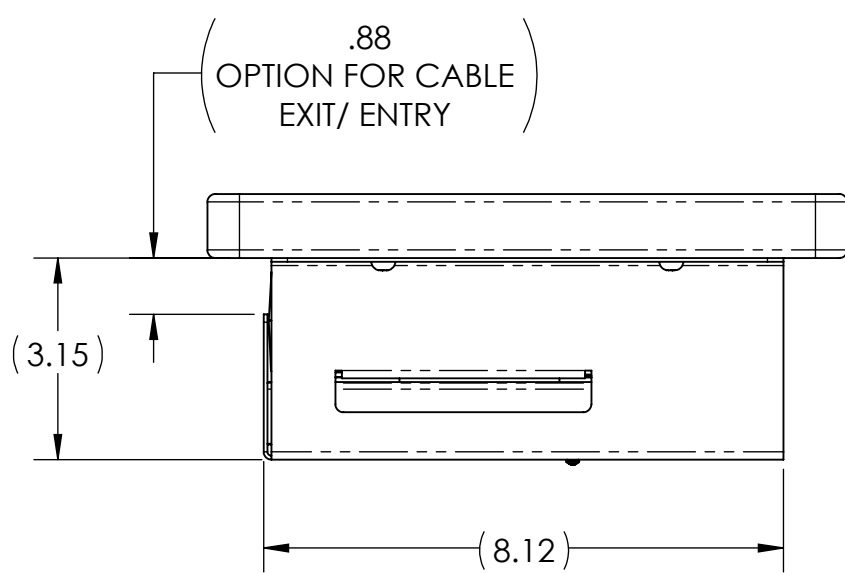
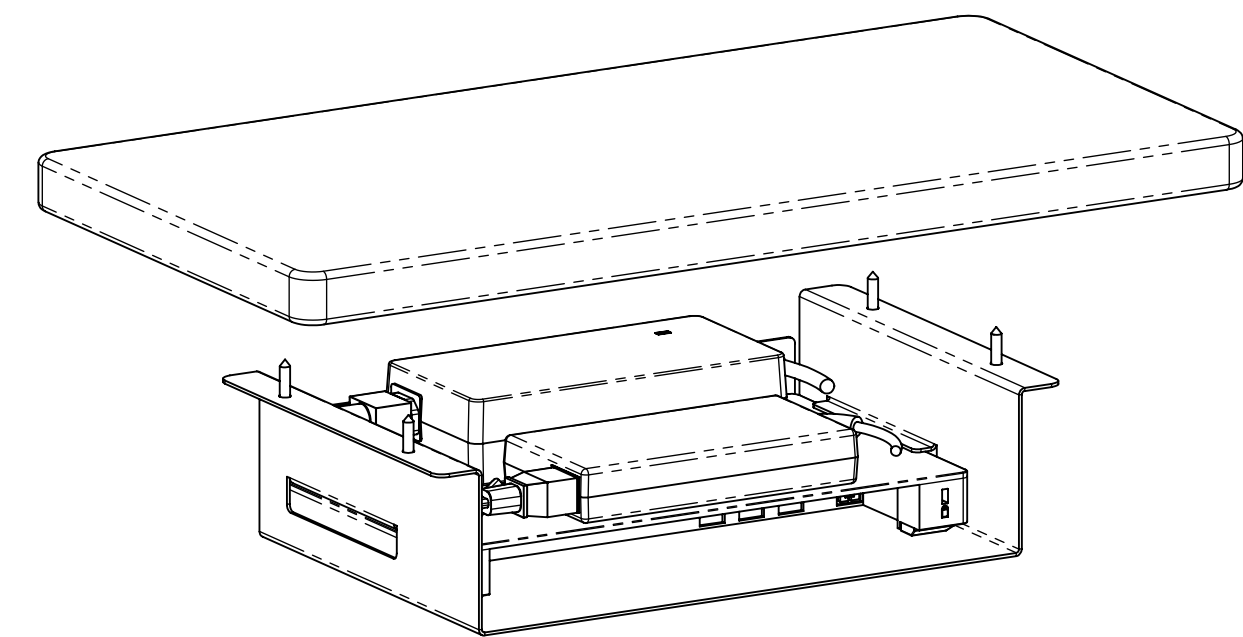


FRONT VIEW (VERTICAL WALL MOUNTED) (Ø1.00 POWER BUTTON ACCESS)

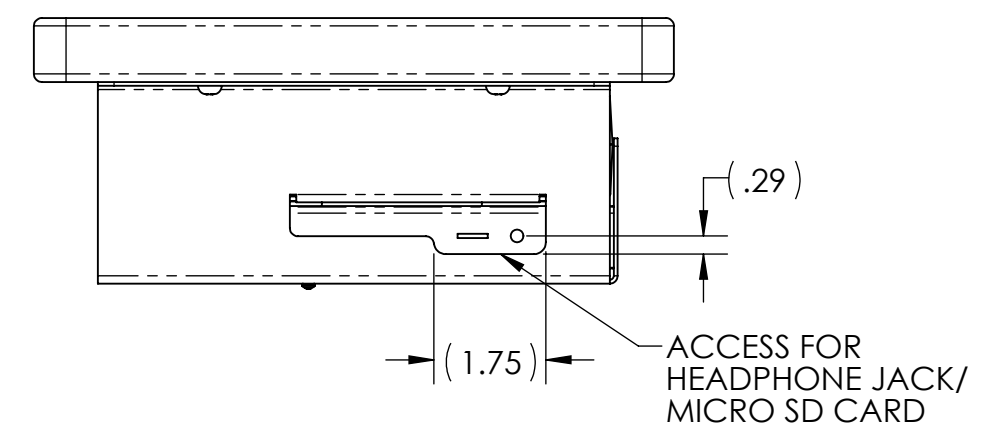
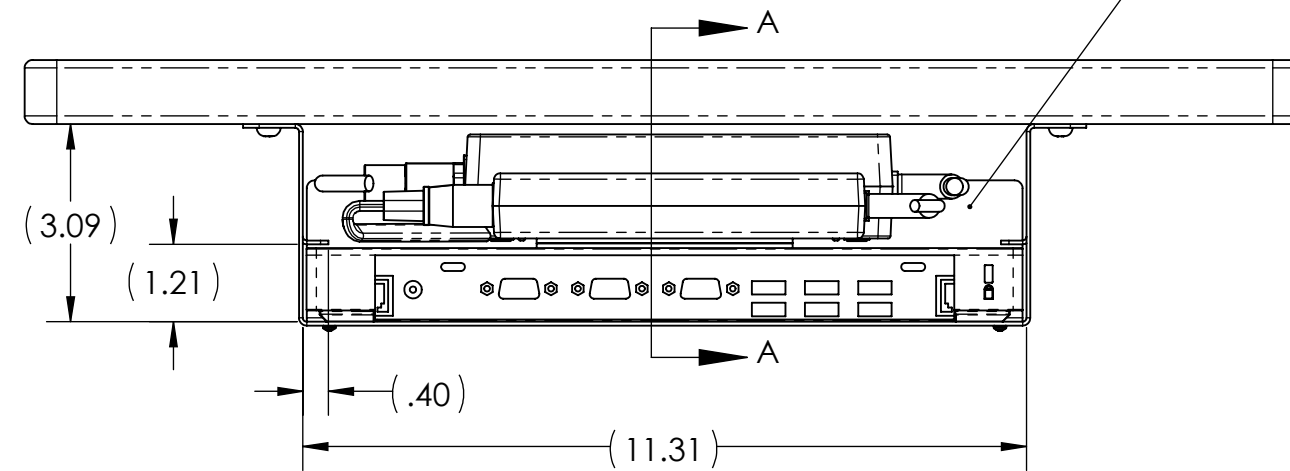


TOP VIEW (COUNTER REMOVED FOR CLARITY)

CABLE EXCESS CAN BE COILED AND STORED



SECTION A-A



ACCESS FOR HEADPHONE JACK/MICRO SD CARD

THE INFORMATION CONTAINED IN THIS DRAWING IS THE SOLE PROPERTY OF HAVIS AND REPRODUCTION IN PART OR IN WHOLE WITHOUT THE WRITTEN PERMISSION OF HAVIS IS PROHIBITED.
ALL DIMENSIONS ARE IN INCHES UNLESS STATED OTHERWISE.



REV.	DESCRIPTION	DATE	BY	CHK'D
A	RELEASED FOR PROTOTYPE	3/7/18	JEB	CDB
DRAWN J. BROWN				
DATE 03/07/2018				
CUSTOMER APPROVAL (SIGNATURE REQUIRED):				
TITLE UNDER-COUNTER MOUNT FOR HP ENGAGE ONE CONNECTIVITY BASE AND CABLES				
DATE	SIZE C	DWG. NO. 367-4715	REV. A	SHEET 1 OF 1