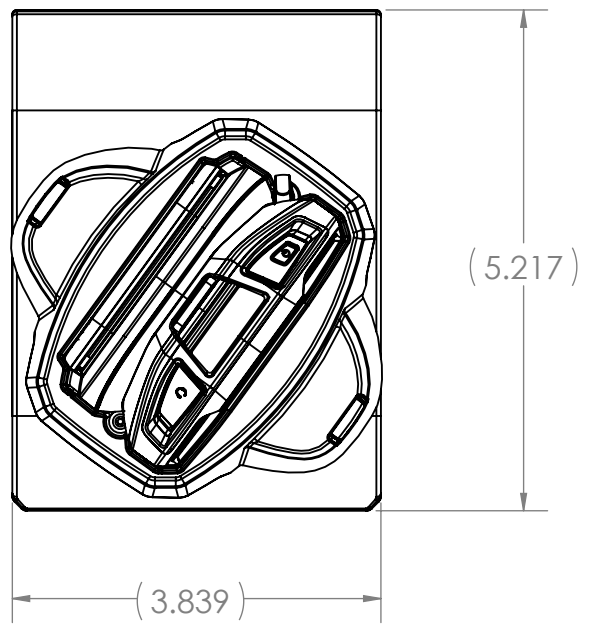
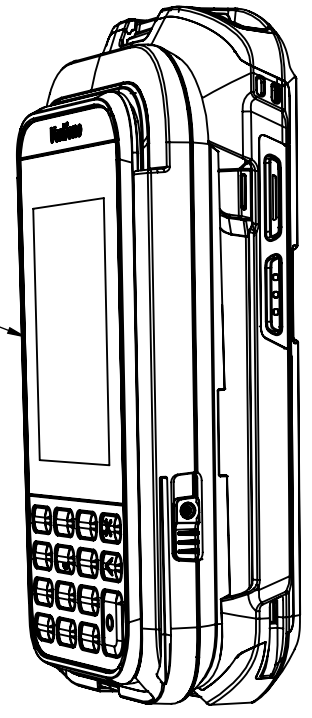


8 7 6 5 4 3 2 1

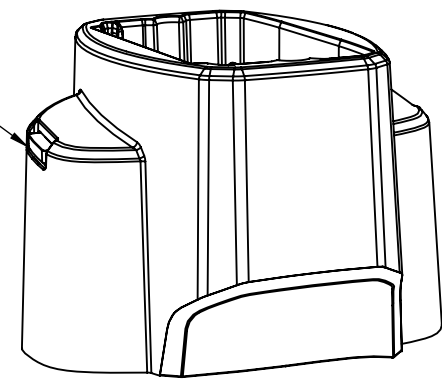
D  
C  
B  
A



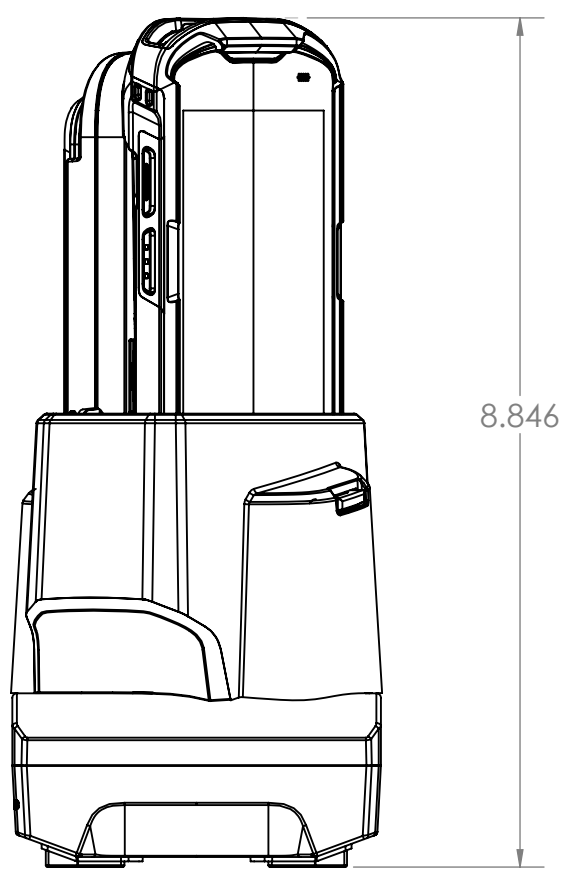
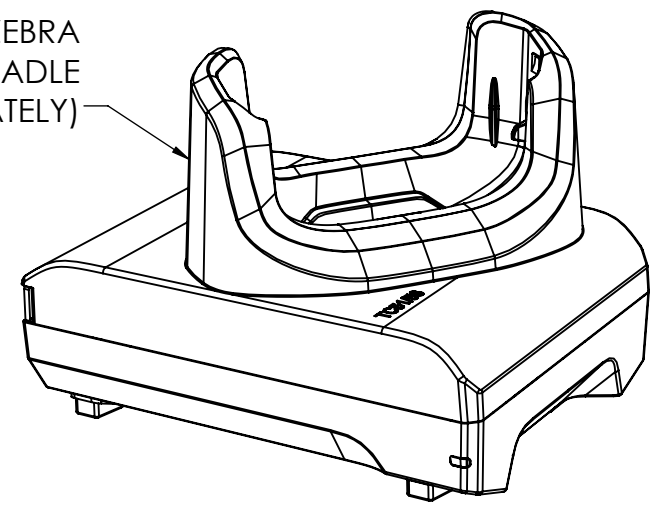
MOBILE ASSEMBLY  
(SOLD SEPARATELY)  
367-4848 ZEBRA  
TC5X VERIFONE  
E285



**367-4862**  
SNAPS ONTO SHARECRADLE



ZEBRA  
TC5X SHARECRADLE  
(SOLD SEPARATELY)



D  
C  
B  
A

THE INFORMATION CONTAINED IN THIS DRAWING IS THE SOLE PROPERTY OF HAVIS AND REPRODUCTION IN PART OR IN WHOLE WITHOUT THE WRITTEN PERMISSION OF HAVIS IS PROHIBITED.  
ALL DIMENSIONS ARE IN INCHES UNLESS STATED OTHERWISE.



**CUSTOMER VERIFICATION AND AUTHORIZATION**

D	INITIAL RELEASE	04/17/19	JWB	
REV.	DESCRIPTION	DATE	BY	CHK'D
DRAWN	J. BRANDT			
DATE	04/17/2019			
CUSTOMER APPROVAL (SIGNATURE REQUIRED):				
TITLE				
		MOBILE DEVICE CHARGER, ZEBRA TC5X / VERIFONE E285		
DATE	SIZE	DWG. NO.	REV.	
	B	367-4862	D	
				SHEET 1 OF 1

8 7 6 5 4 3 2 1