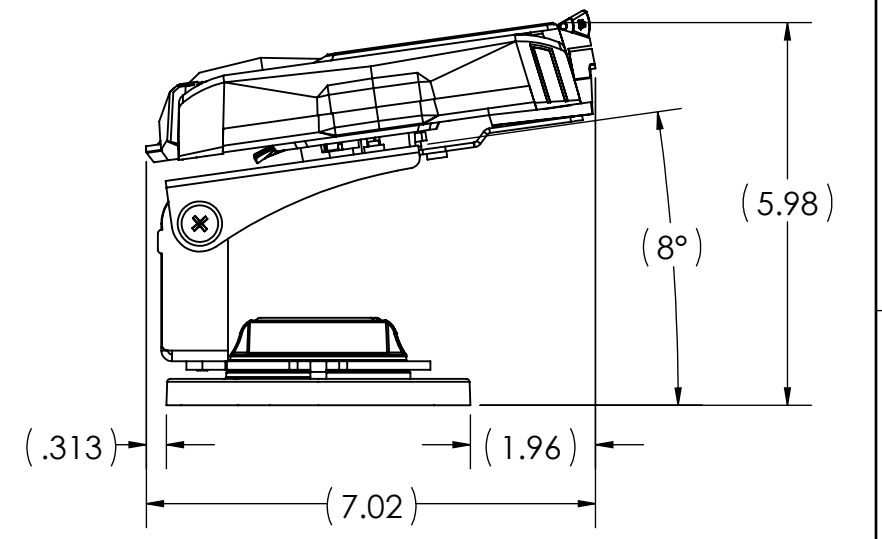
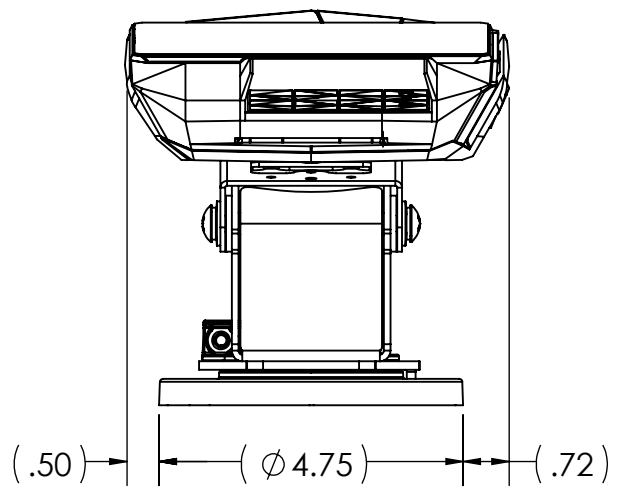
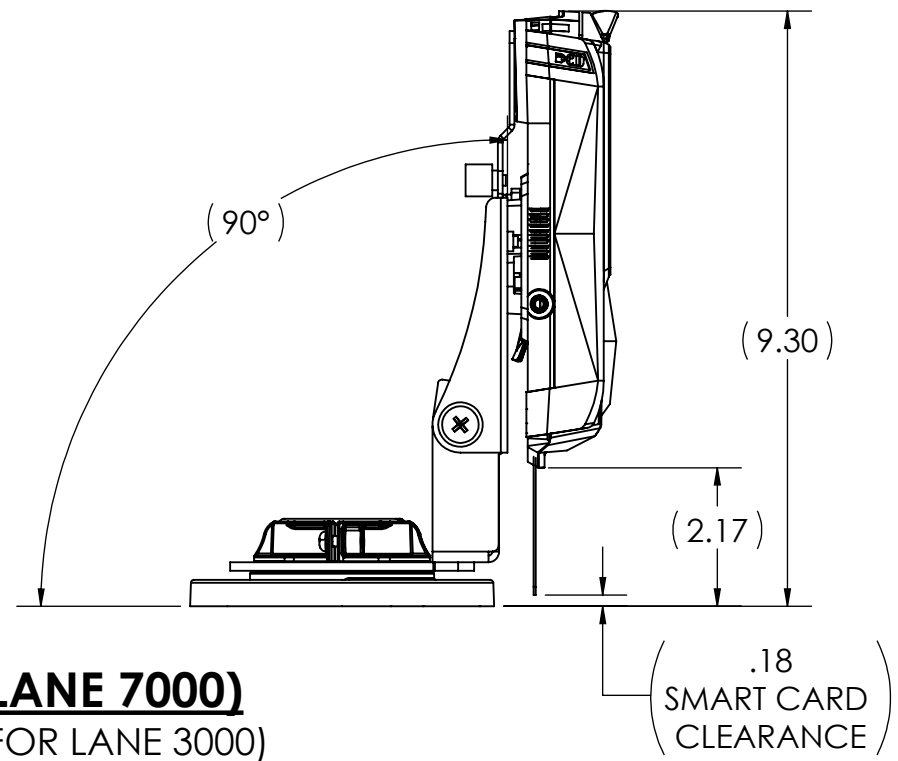
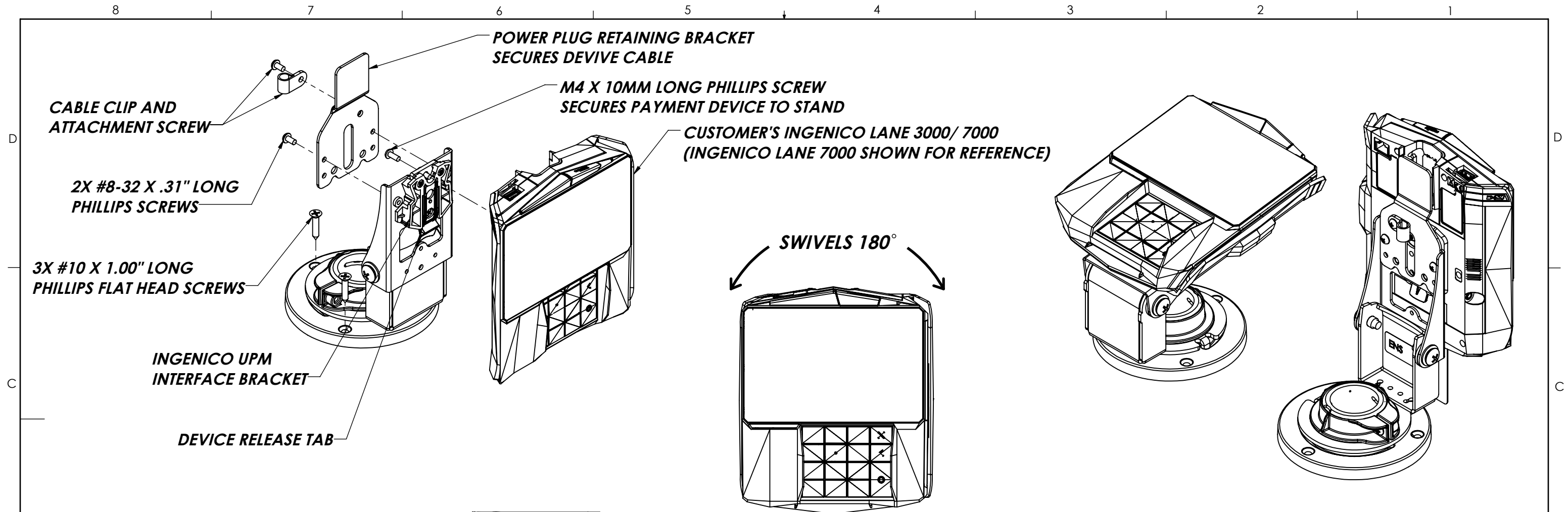


BOTTOM VIEW

SHEET 1 (LANE 3000)
(SEE SHEET 2 FOR LANE 7000)

CUSTOMER APPROVAL (SIGNATURE REQUIRED):	DWG. NO. 367-4977	REV. A	TITLE LOW CONTOUR STAND 8-90 DEG CENTER HOLE ROUND BASE POWER PLUG RETAINING BRKT INGENICO LANE 3000, 7000		REVISIONS				
	DRAWN J. BROWN	DATE 10/17/2018				REV A	DESCRIPTION RELEASE FOR PROTOTYPE	DATE 10/17/22	BY JEB
SHEET 1 OF 1					CUSTOMER VERIFICATION				

THE INFORMATION CONTAINED IN THIS DRAWING IS THE SOLE PROPERTY OF HAVIS, INC. AND REPRODUCTION IN PART OR IN WHOLE WITHOUT THE WRITTEN PERMISSION OF HAVIS, INC. IS PROHIBITED.



SHEET 2 (LANE 7000)
 (SEE SHEET 1 FOR LANE 3000)

CUSTOMER APPROVAL (SIGNATURE REQUIRED):	DWG. NO. 367-4977	REV. A	TITLE LOW CONTOUR STAND 8-90 DEG CENTER HOLE ROUND BASE POWER PLUG RETAINING BRKT INGENICO LANE 3000, 7000	
	DRAWN J. BROWN	DATE 10/17/2018		

REVISIONS				
REV	DESCRIPTION	DATE	BY	CHK'D
A	RELEASE FOR PROTOTYPE	10/17/22	JEB	CDB

CUSTOMER VERIFICATION