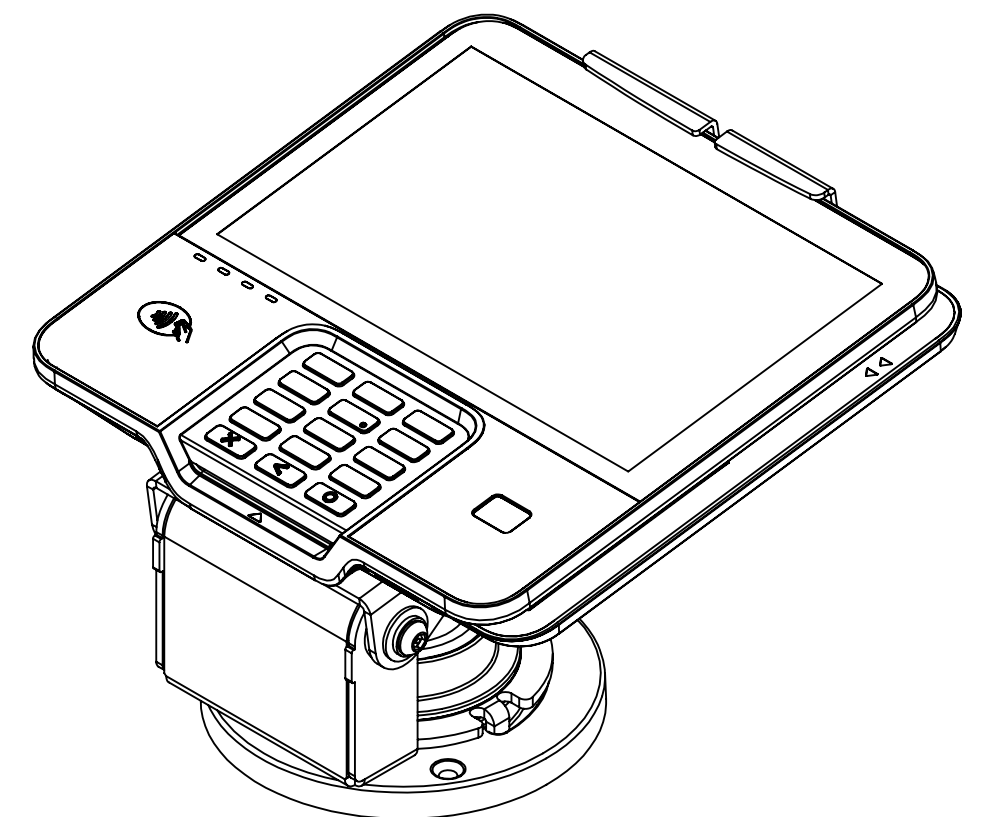
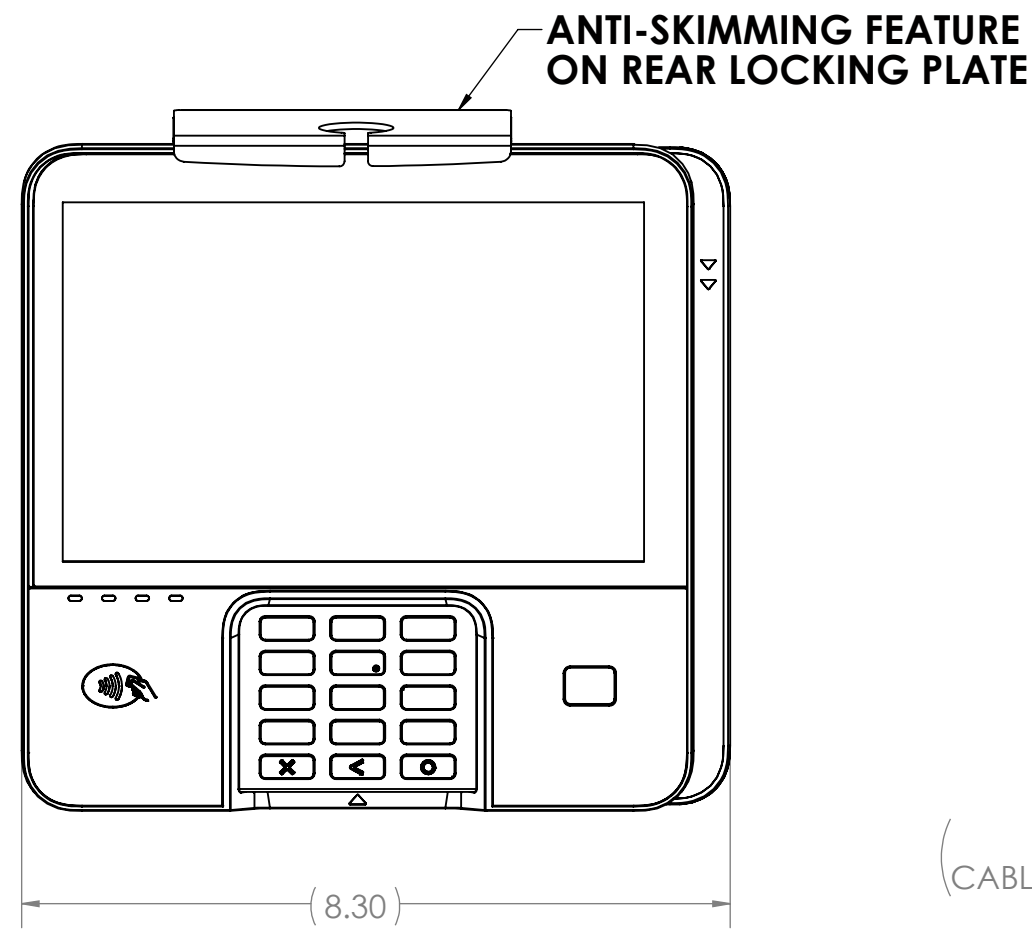
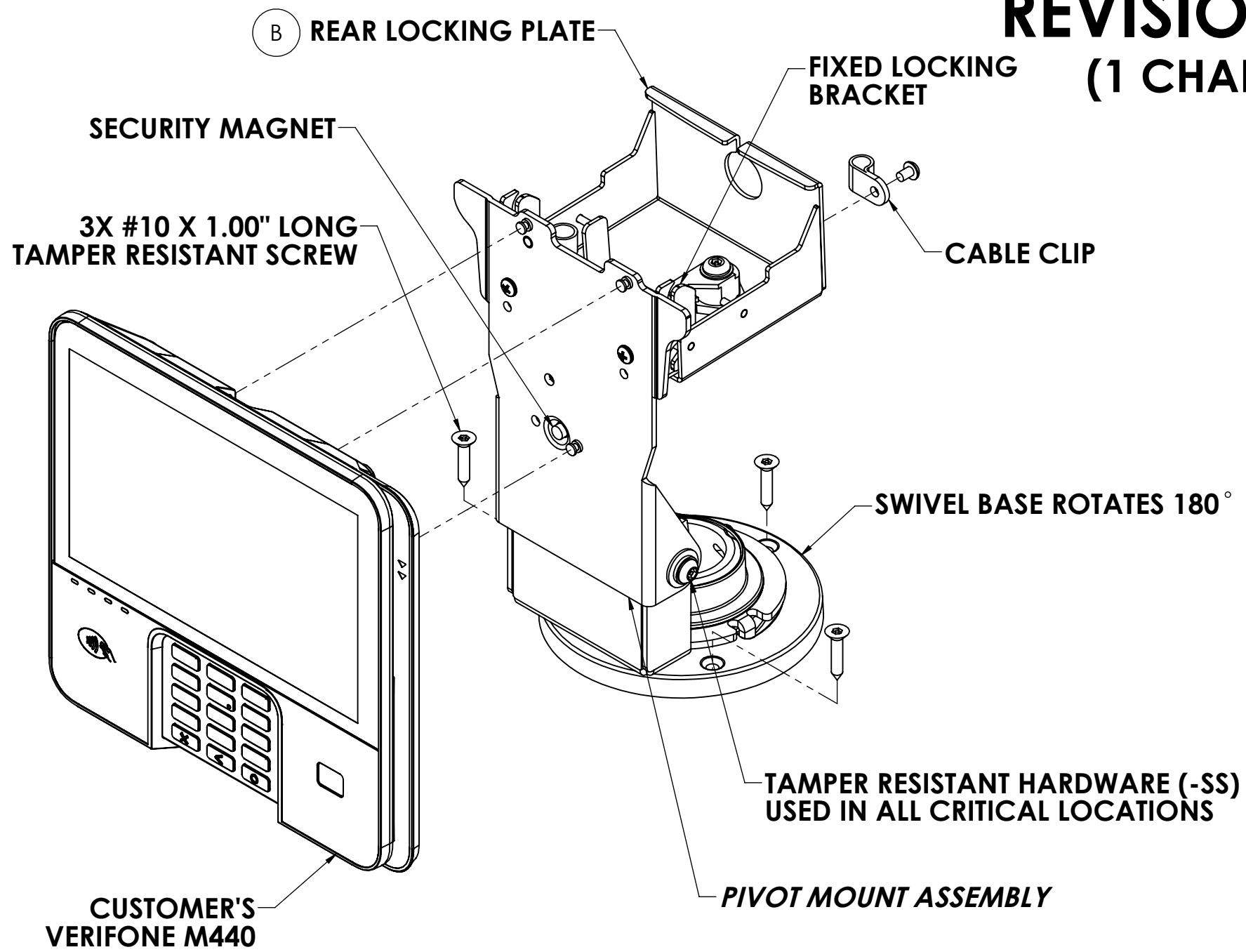
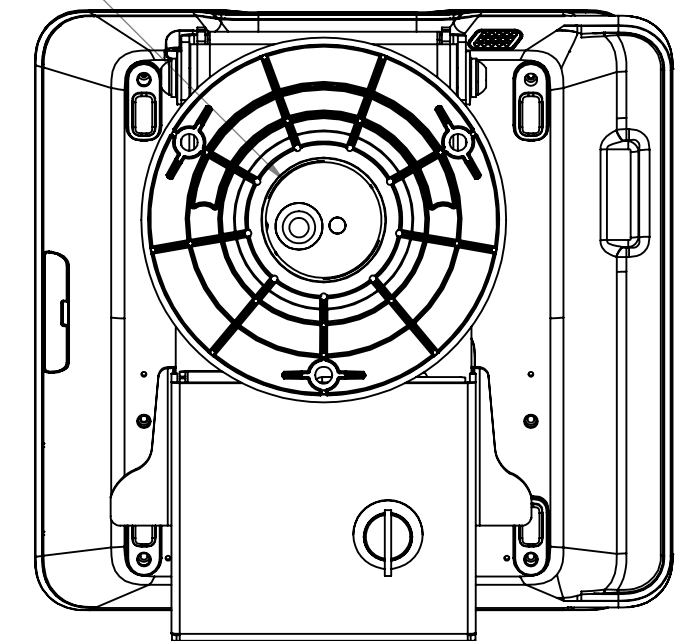


REVISION B CHANGES = B

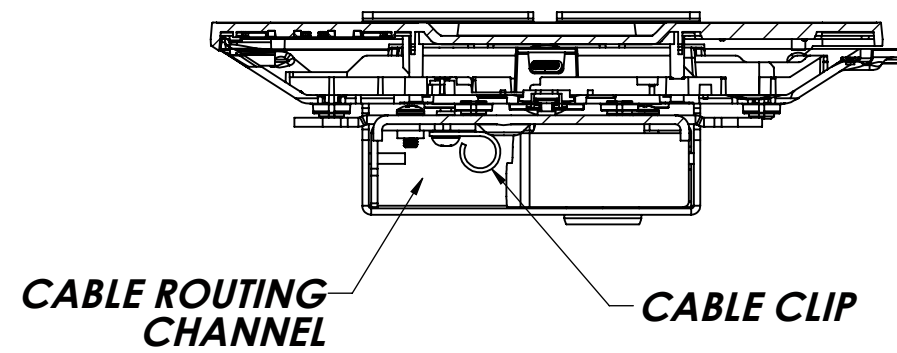
(1 CHANGE NOTE ON DRAWING)



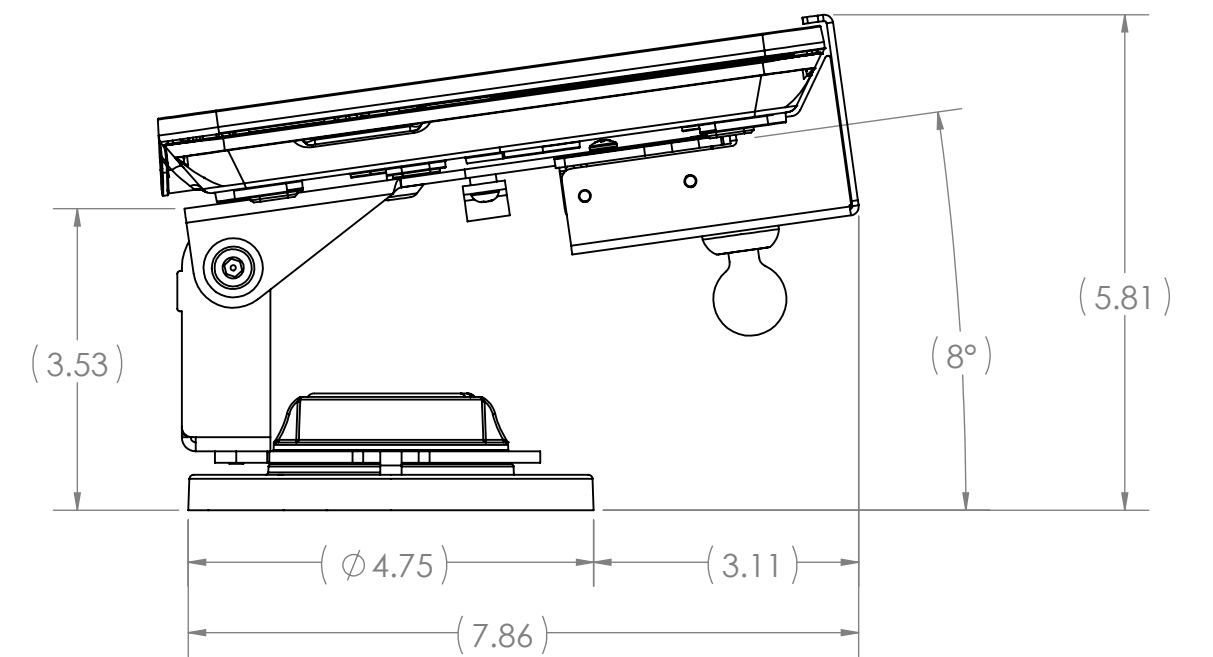
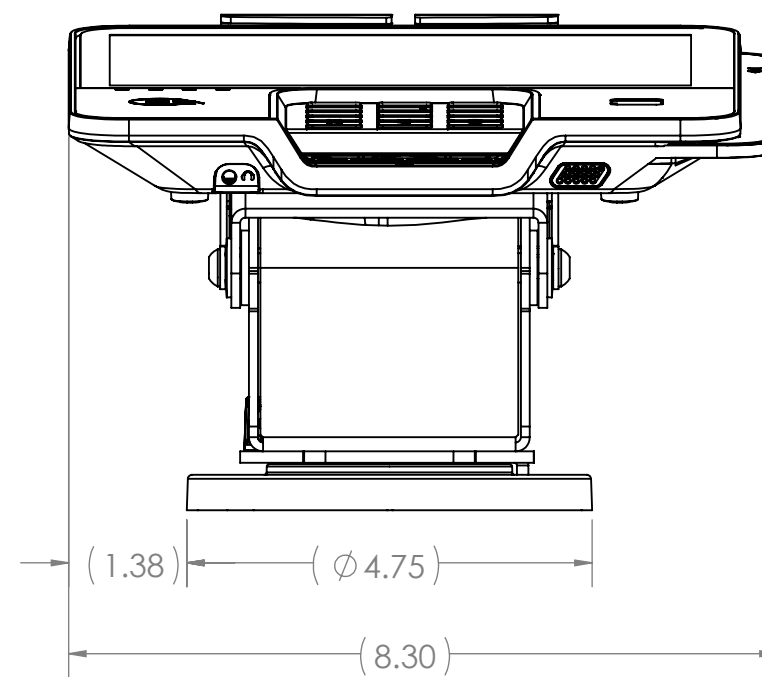
Ø 1.51
CABLE ENTRY/EXIT



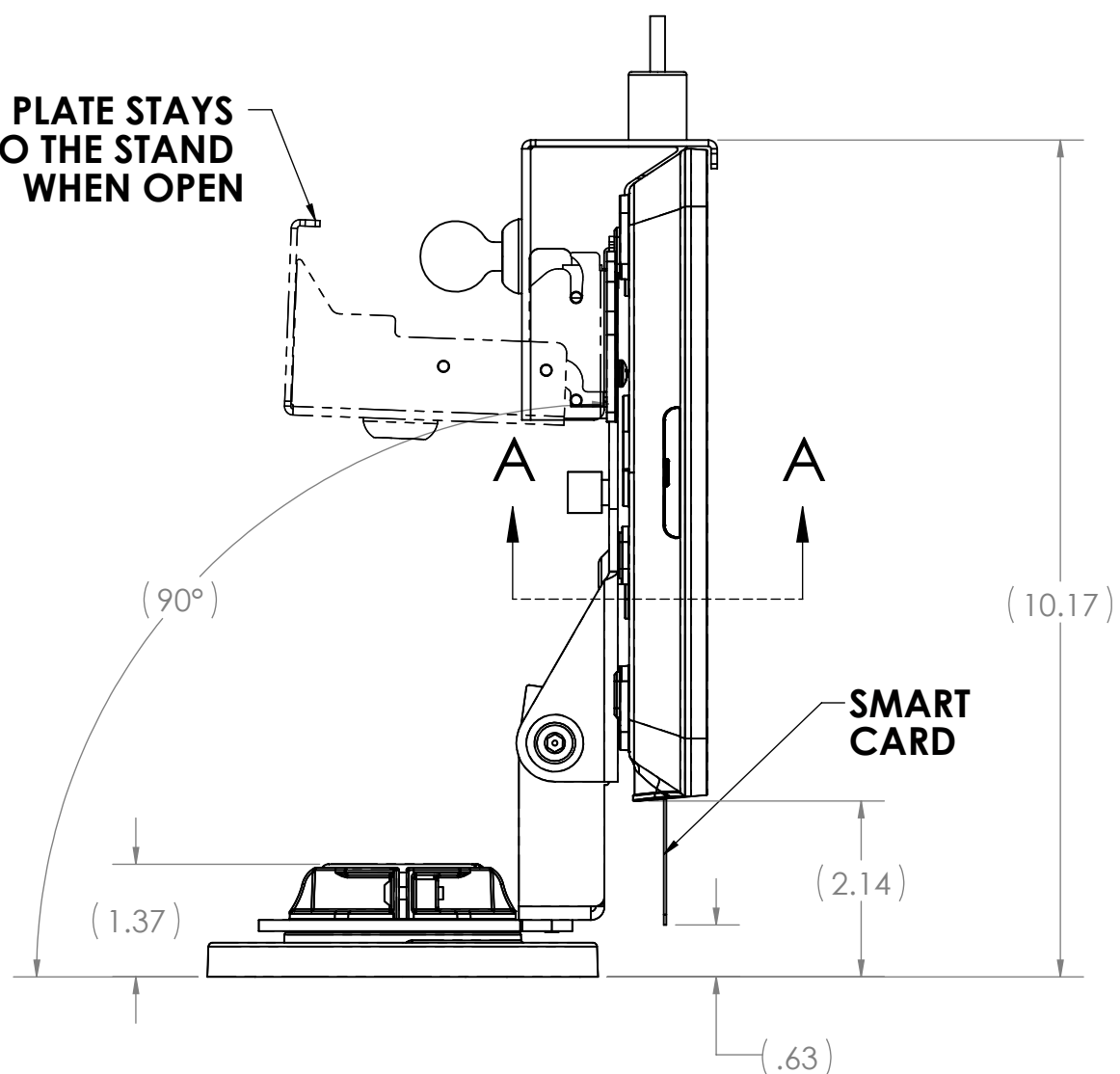
BOTTOM VIEW



SECTION A-A



REAR LOCKING PLATE STAYS ATTACHED TO THE STAND WHEN OPEN



ROHS COMPLIANT



THE INFORMATION CONTAINED IN THIS DRAWING IS THE SOLE PROPERTY OF HAVIS AND REPRODUCTION IN PART OR IN WHOLE WITHOUT THE WRITTEN PERMISSION OF HAVIS IS PROHIBITED.
ALL DIMENSIONS ARE IN INCHES UNLESS STATED OTHERWISE.

B	ADDED CABLE EXIT OPENING	09/22/21	JVT	JVT
A	RELEASED FOR PRODUCTION	4/8/19	TAS	AZM
REV.	DESCRIPTION	DATE	BY	CHK'D
DRAWN T. STRAND				
DATE 4/8/2019				
CUSTOMER APPROVAL (SIGNATURE REQUIRED):				
DATE	SIZE C	DWG. NO. 367-5122	REV. B	SHEET 1 OF 1
TITLE LOW CONTOUR 8°-90°, WITH REAR LOCKING PLATE, CENTER HOLE SWIVEL STAND, ANTI SKIMMING FEATURE, EMV CARD CLEARANCE, VERIFONE M440				