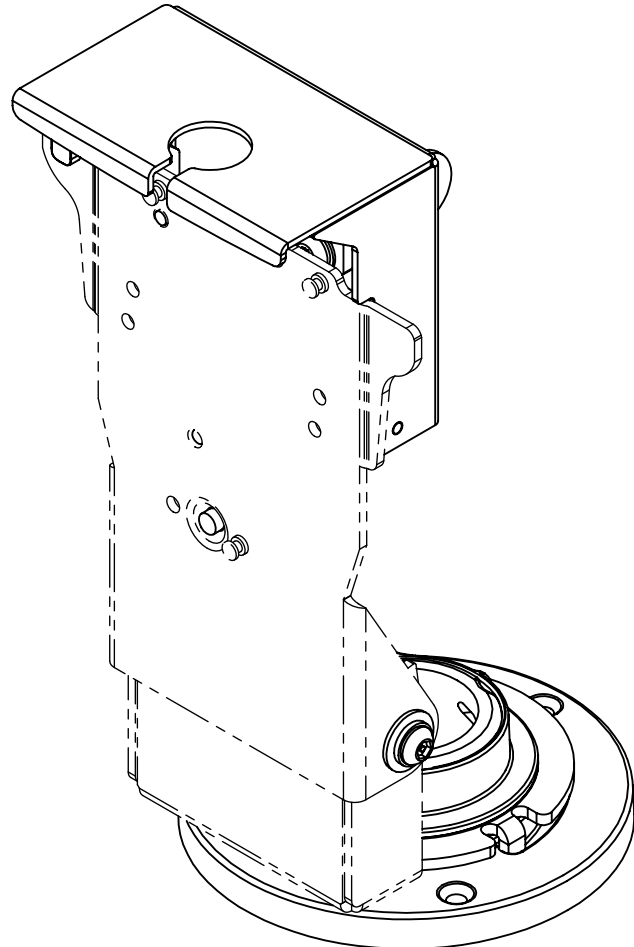


REVISION B CHANGES = B
(1 CHANGE NOTED ON DRAWING)



**REAR LOCKING BRACKET
 WORKS WITH VERIFONE M440
 (INCLUDED)**

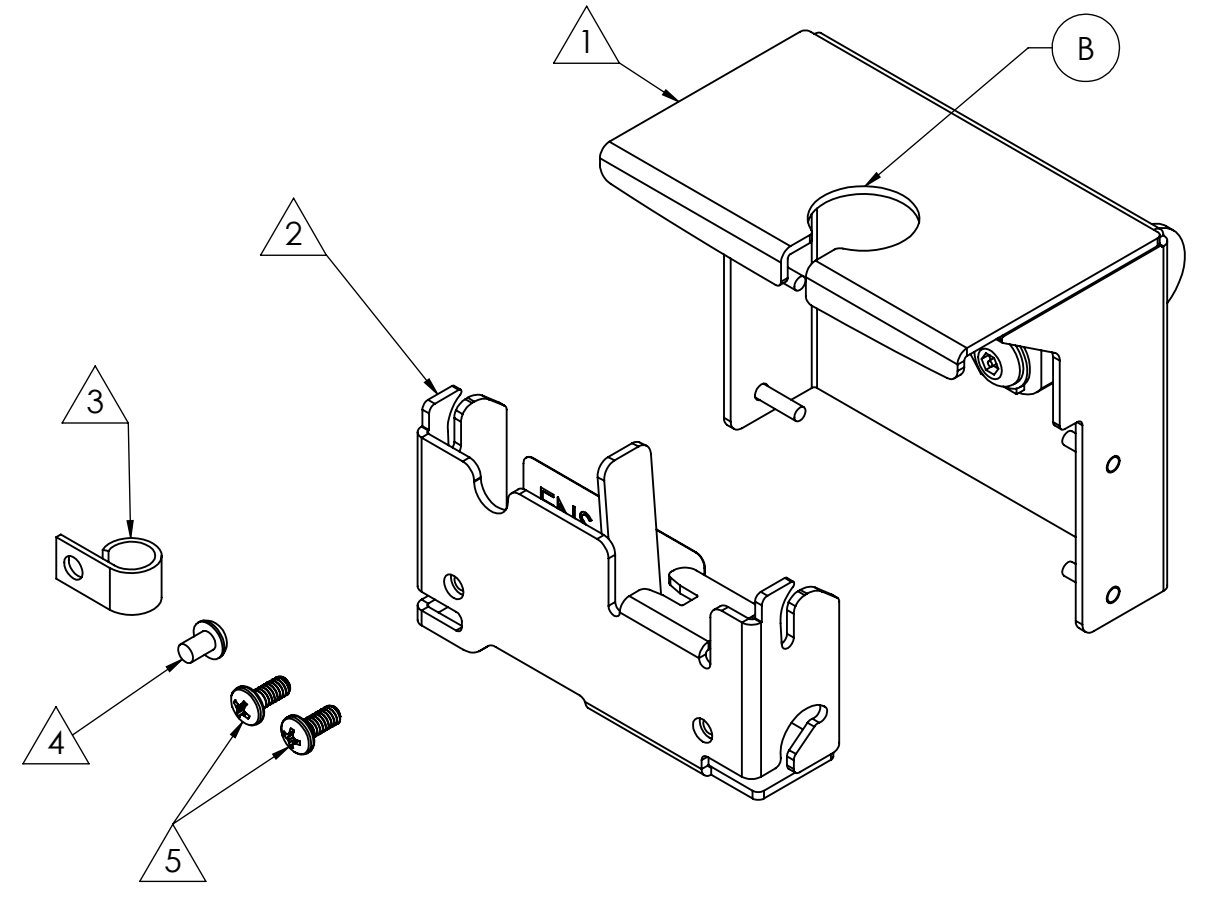
**FIXED LOCKING BRACKET
 ATTACHES TO EXISTING ENS STAND
 (INCLUDED)**

**CABLE MANAGEMENT CLIP
 AND ATTACHMENT SCREW
 (INCLUDED)**

**2X #8-32 X .38" LONG
 PHILLIPS SCREWS
 (INCLUDED)**

**CUSTOMER EXISTING SWIVEL STAND
 ENS P/N 367-3213 SHOWN FOR REFERENCE**

**CUSTOMER'S
 VERIFONE M440**



367-5123-A PRODUCT INCLUDES:

1. REAR LOCKING BRACKET
2. FIXED LOCKING BRACKET
3. CABLE CLIP
4. #8-32 X .25" LONG PHILLIPS SCREW
5. 2X #8-32 X .38" LONG PHILLIPS FLATHEAD SCREWS

ROHS COMPLIANT



THE INFORMATION CONTAINED IN THIS DRAWING IS THE SOLE PROPERTY OF HAVIS AND REPRODUCTION IN PART OR IN WHOLE WITHOUT THE WRITTEN PERMISSION OF HAVIS IS PROHIBITED.
 ALL DIMENSIONS ARE IN INCHES UNLESS STATED OTHERWISE.

B	ADDED CABLE CUT-OUT	09/22/21	JVT	AZM
A	RELEASED FOR PRODUCTION	4/8/19	TAS	AZM
REV.	DESCRIPTION	DATE	BY	CHK'D
DRAWN T. STRAND				
DATE 4/8/2019				
CUSTOMER APPROVAL (SIGNATURE REQUIRED):				
		TITLE REAR LOCKING, ADD-ON KIT, VERIFONE M440		
DATE	SIZE C	DWG. NO. 367-5123	REV. B	SHEET 1 OF 1