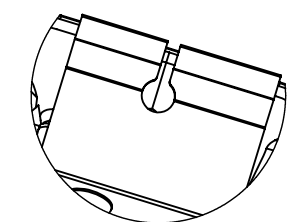
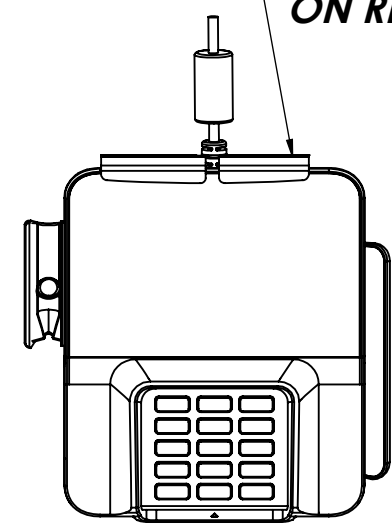
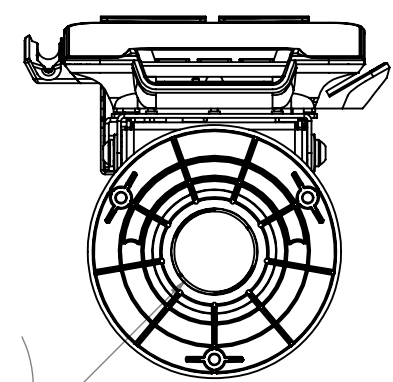


Engineered Network Systems, LLC



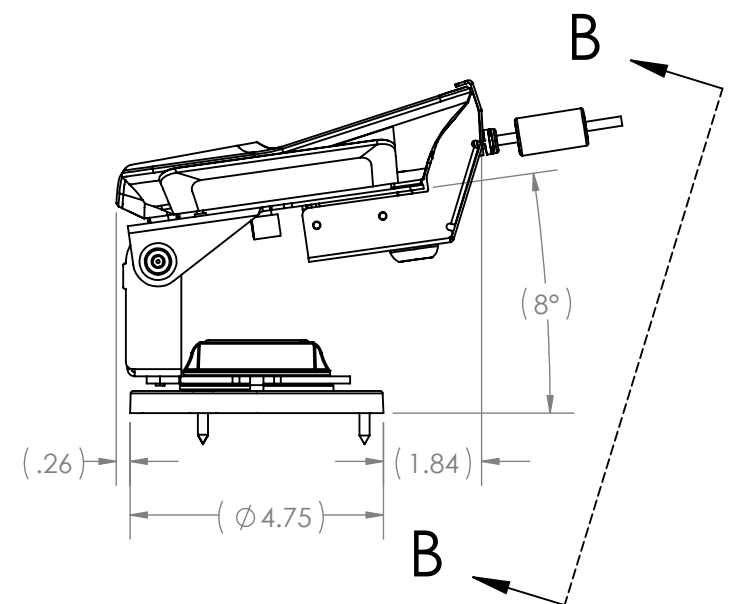
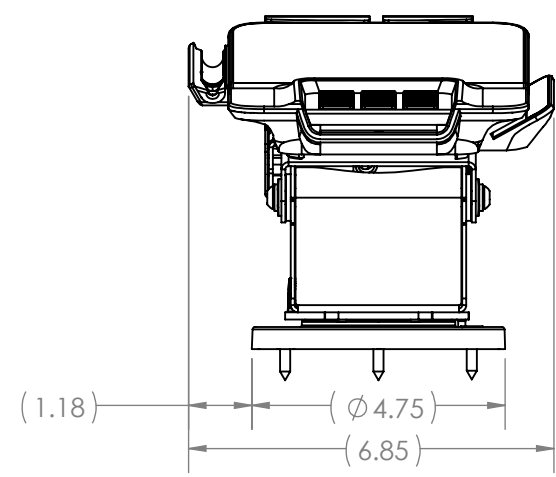
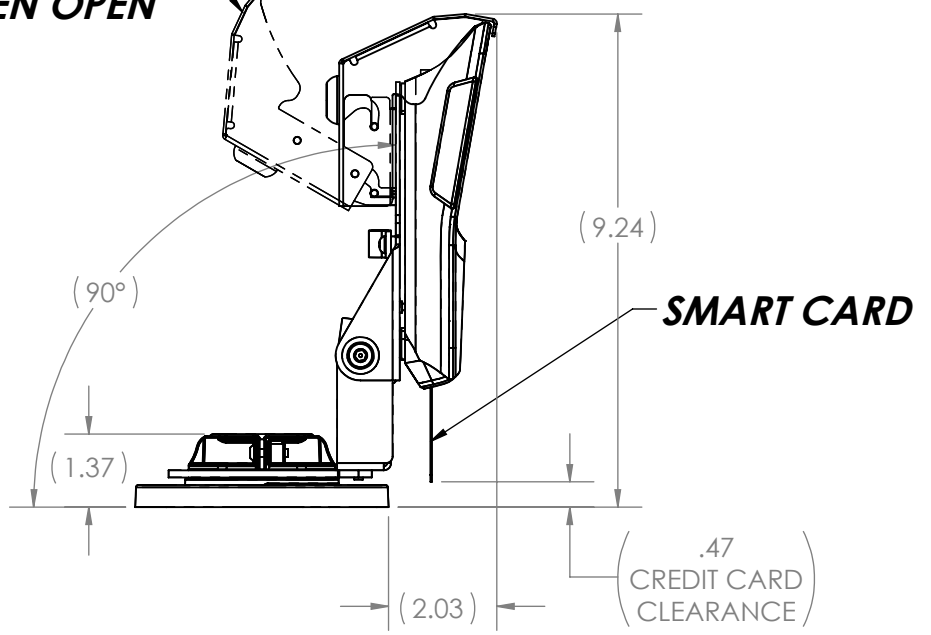
VIEW B - B

(SOME PARTS HIDDEN FOR CLARITY)



Ø 1.51
(CABLE ENTRY/EXIT)

BOTTOM VIEW



ROHS COMPLIANT

CUSTOMER APPROVAL (SIGNATURE REQUIRED):

SHEET 1 OF 1

DWG. NO. **367-5249**

REV. **B**

DRAWN **W.CLAIRE**

DATE **8/11/2022**

TITLE **LOW CONTOUR STAND 8 -90 , CENTER HOLE SWIVEL, LOCKING, ANTI-SKIMMING, WITH SMART CARD CLEARANCE, VERIFONE M400**



REV.	DESCRIPTION	DATE	BY
B	REVISED PIVOT, MOUNTING, AND LOCKING BRACKETS	08/11/22	WJC
A	RELEASE FOR PROTOTYPE	08/27/19	JEB

CUSTOMER VERIFICATION