

8 7 6 5 4 3 2 1

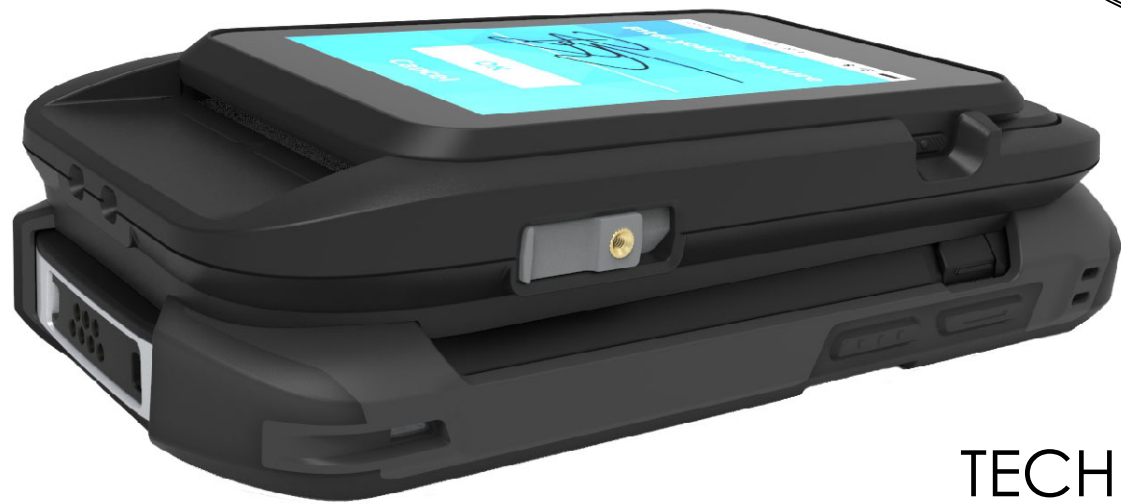
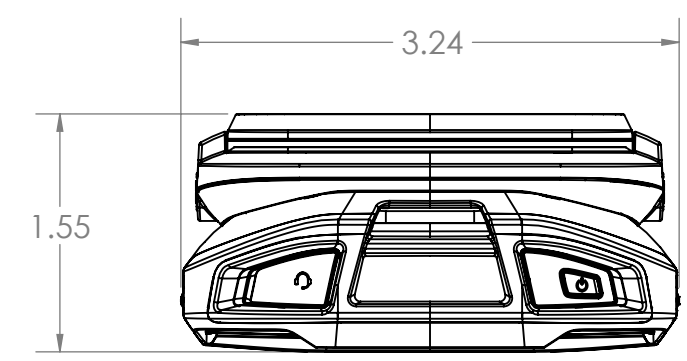
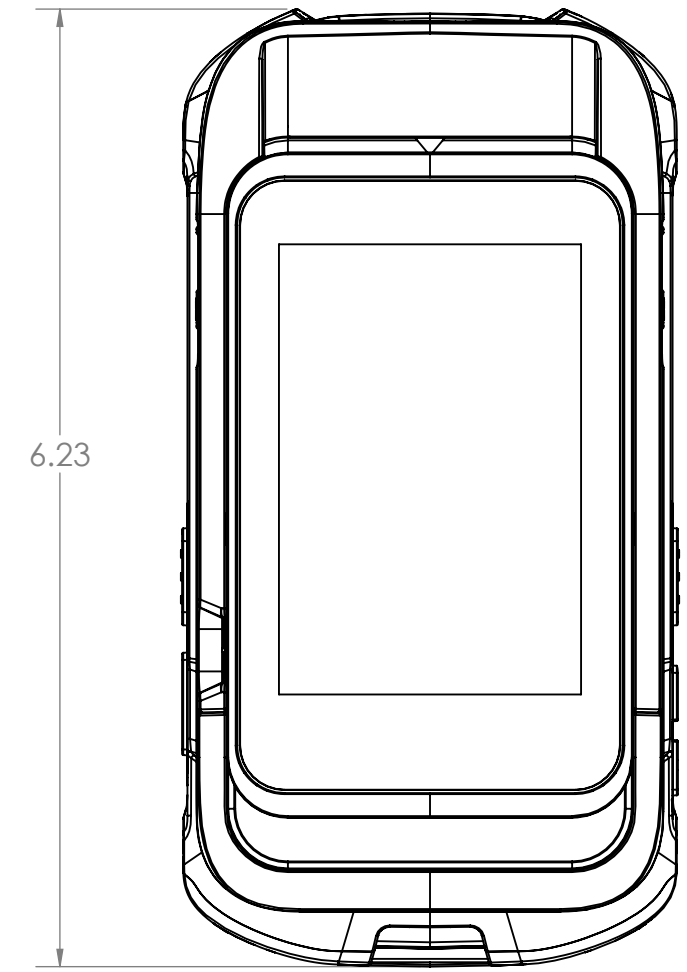
OPTIONAL SCREWS TO PREVENT SEPARATION OF DEVICES (BOTH SIDES)

**ENS ENCLOSURE**  
 - TOOL-FREE INSTALLATION  
 - TOOL-FREE REMOVAL  
 - SECURITY OPTION


VERIFONE e280 (CUSTOMER SUPPLIED)  
 - SNAPS INTO ENS ENCLOSURE

ZEBRA TC5X (CUSTOMER SUPPLIED)

CHARGING ADAPTER FOR SIMULTANEOUS CHARGING  
 SOLD SEPARATELY  
 P/N 367-5315



**TECHNICAL PRODUCT INFORMATION**

REV.	DESCRIPTION	DATE	BY	CHK'D
A	RELEASED FOR PRODUCTION	12/18/19	JWB	
DRAWN J. BRANDT		DATE 12/18/2019		
CUSTOMER APPROVAL (SIGNATURE REQUIRED):		 14451 Ewing Ave - Burnsville, MN 55306 952-767-1005		
ALL DIMENSIONS ARE IN INCHES				
DATE	SIZE B	DWG. NO. 367-5297	REV. A	SHEET 1 OF 1

8 7 6 5 4 3 2 1