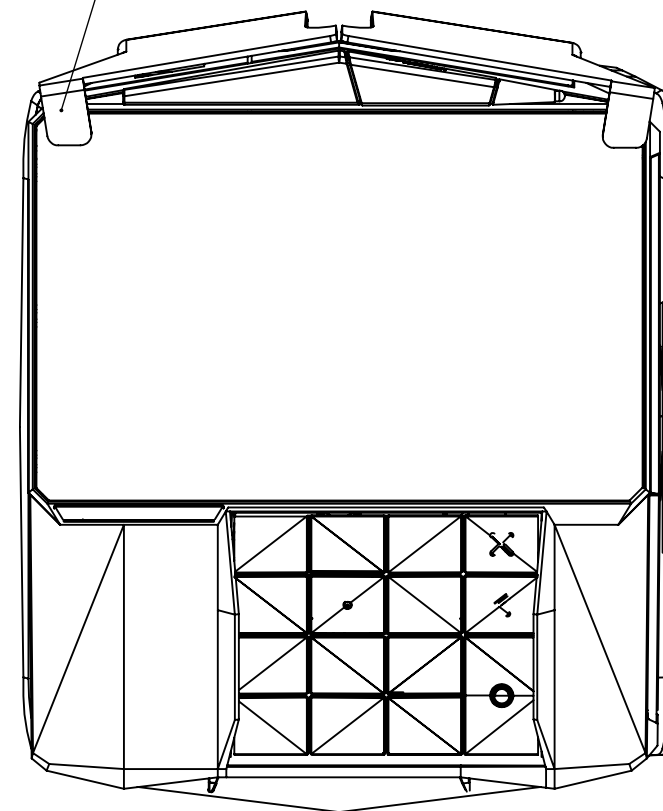
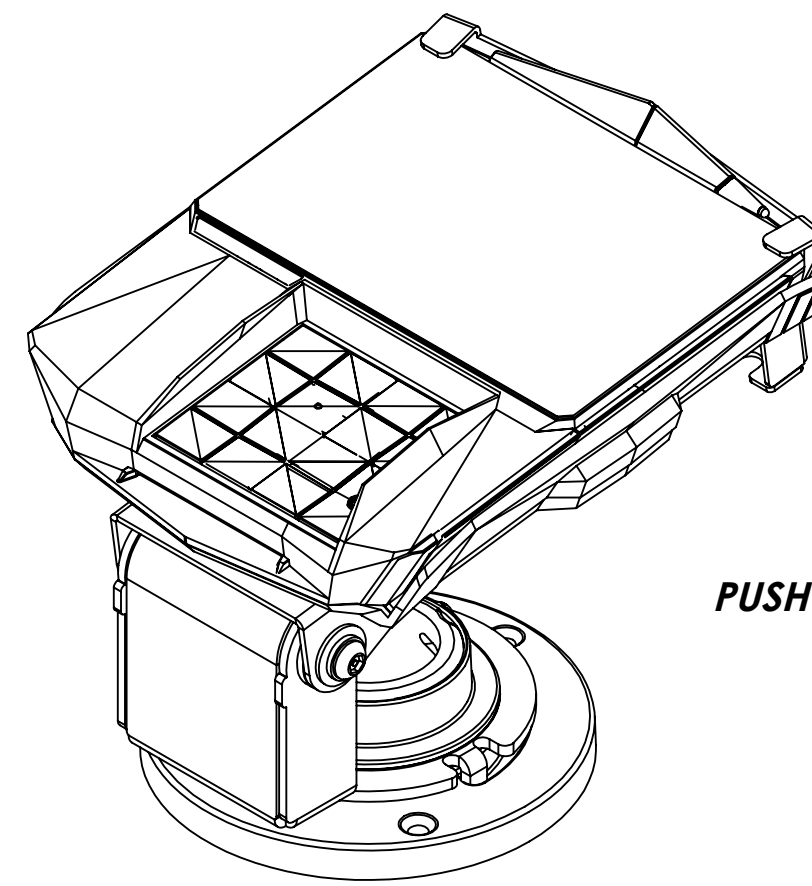


CUSTOMER'S INGENICO LANE 7000 (CUSTOMER SUPPLIED)

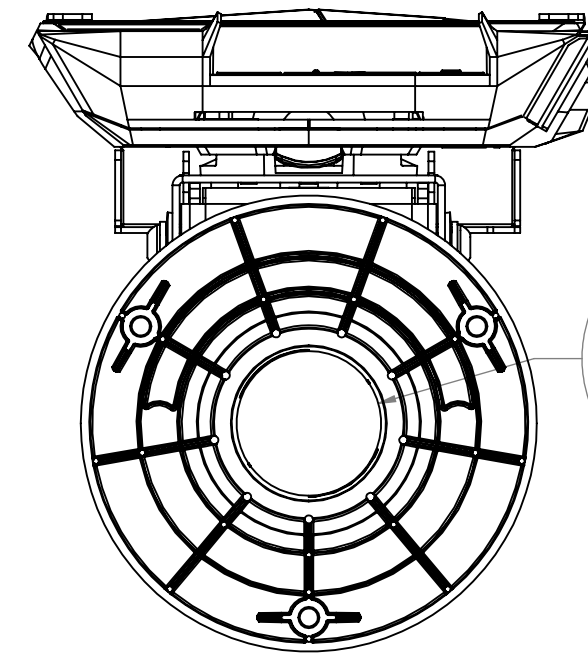
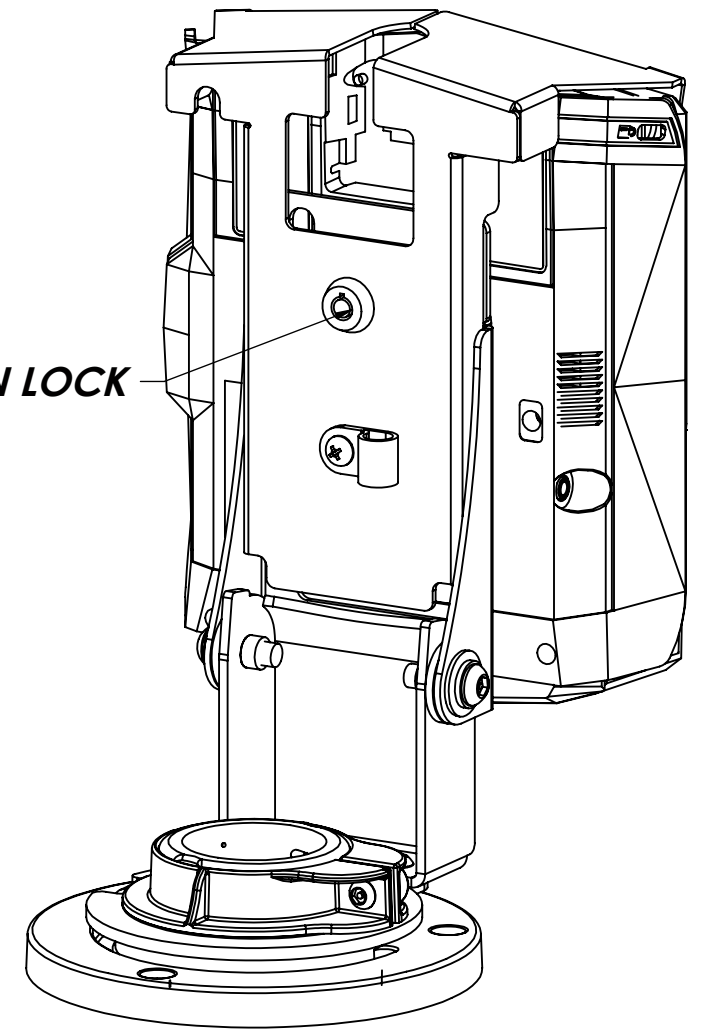
C ANTI SKIMMING FEATURE



SWIVELS 180°



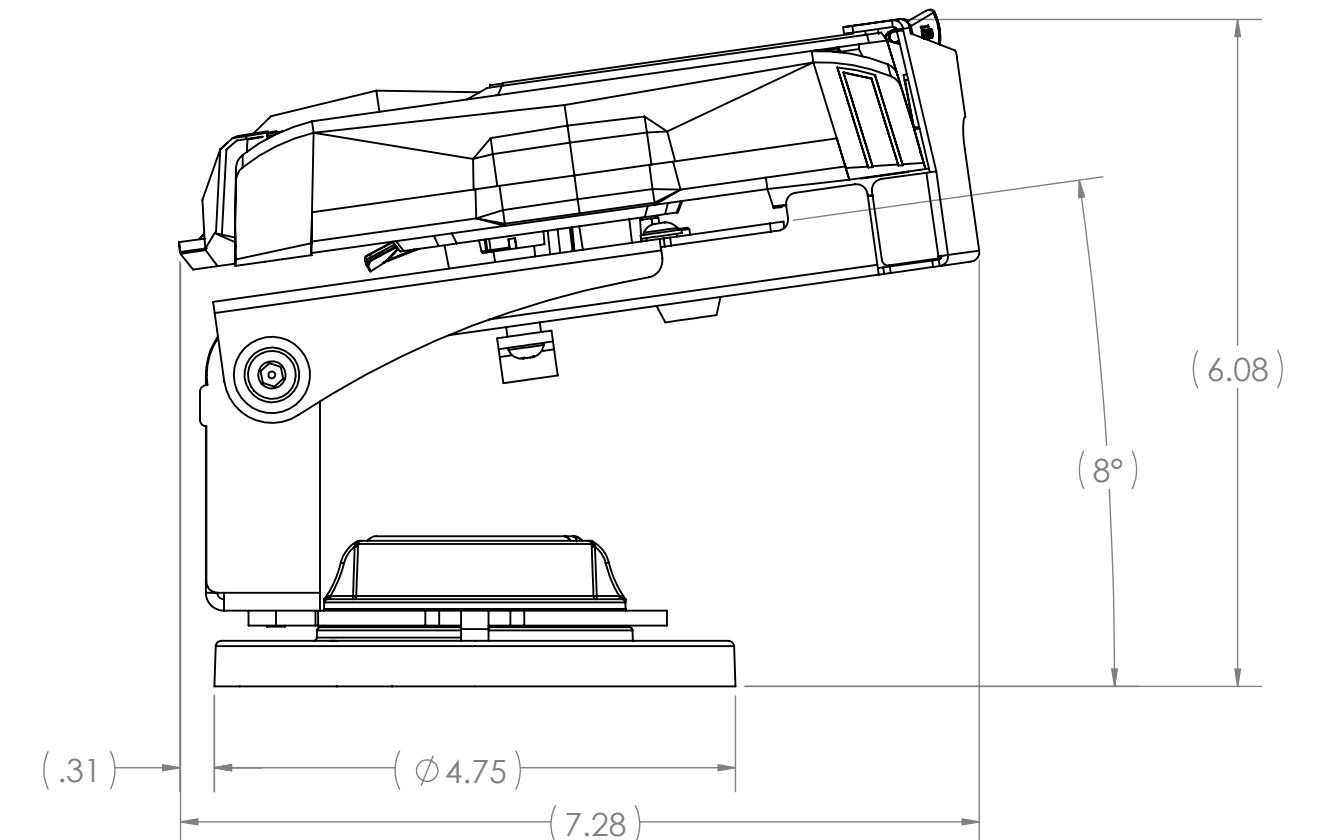
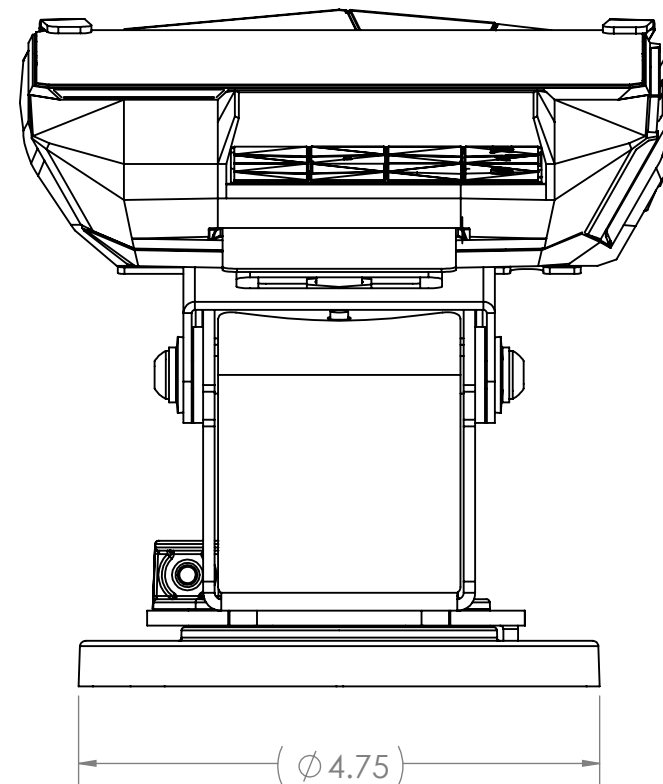
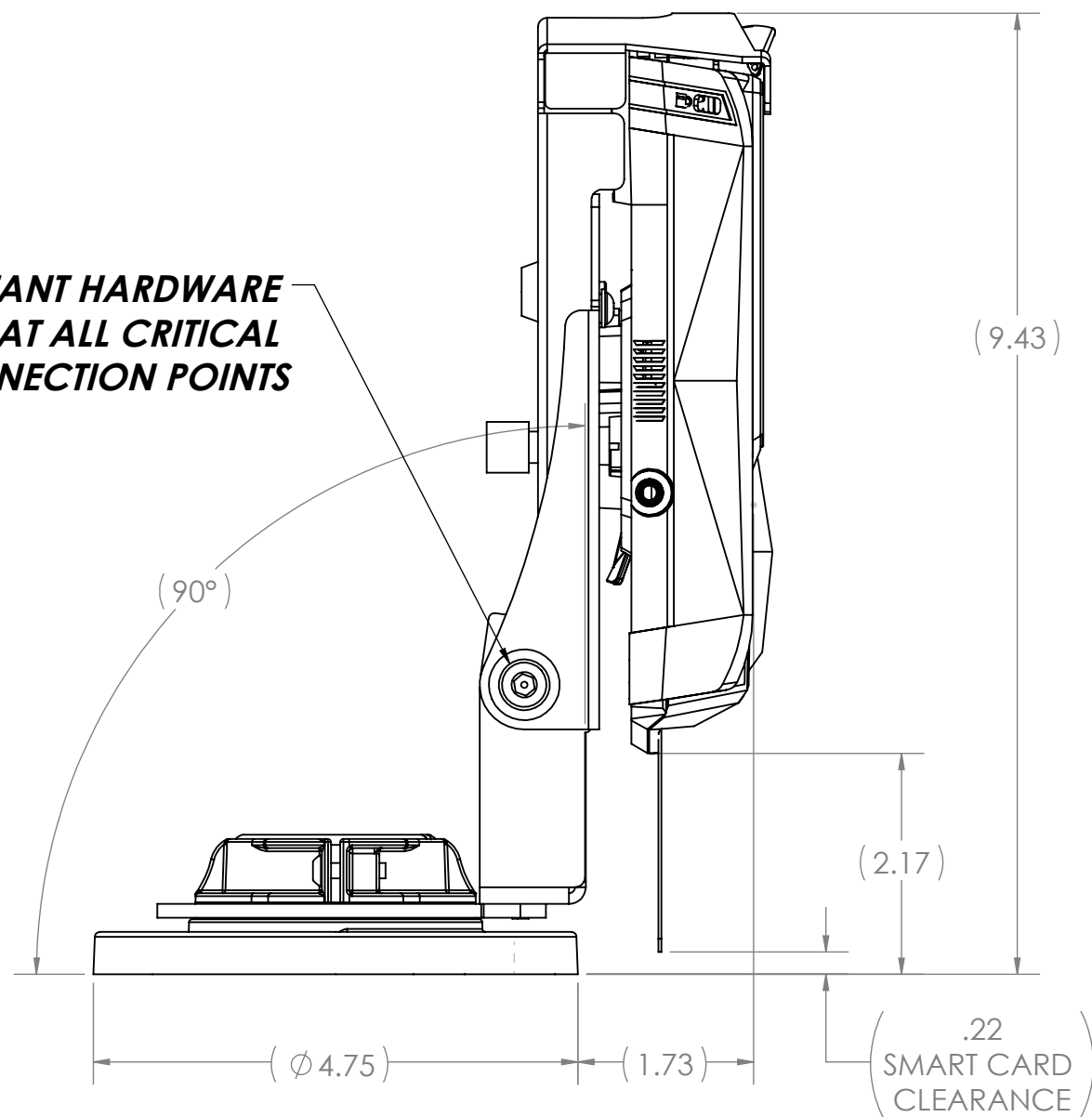
PUSH PIN LOCK



Ø 1.51 CABLE EXIT/ENTRY

BOTTOM VIEW

TAMPER RESISTANT HARDWARE USED AT ALL CRITICAL CONNECTION POINTS



REVISION C CHANGES = C (1 CHANGE)

ROHS COMPLIANT

HAVIS

REV.	DESCRIPTION	DATE	BY	CHK'D
C	REVISED ENS5474A PEN OPENING	08/29/22	WJC	ARS
B	REVISED CABLE OPENING	06/11/21	JVT	SY
A	RELEASE FOR PROTOTYPE	04/15/20	JVT	SY

DRAWN	J. TERVEER	HAVIS
DATE	04/15/2020	
CUSTOMER APPROVAL (SIGNATURE REQUIRED):		TITLE
		LOW CONTOUR STAND 8° -90° , CENTER HOLE SWIVEL, ROUND BASE, ANTI SKIMMING, LOCKING, INGENICO LANE 7000
DATE		SIZE
		C
	DWG. NO.	REV. C
	367-5474	SHEET 1 OF 1

THE INFORMATION CONTAINED IN THIS DRAWING IS THE SOLE PROPERTY OF HAVIS AND REPRODUCTION IN PART OR IN WHOLE WITHOUT THE WRITTEN PERMISSION OF HAVIS IS PROHIBITED.