

M3 X 8MM BUTTON HEAD SCREW
SECURES ACCESS COVER
TO VERIFONE M400

MOUNTING PLATE

#8-32 X .25" LONG
PHILLIPS SCREW

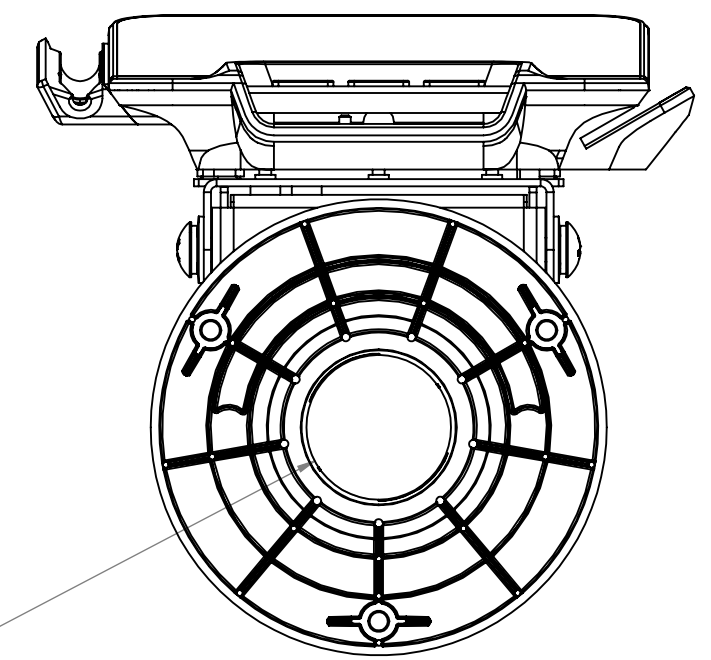
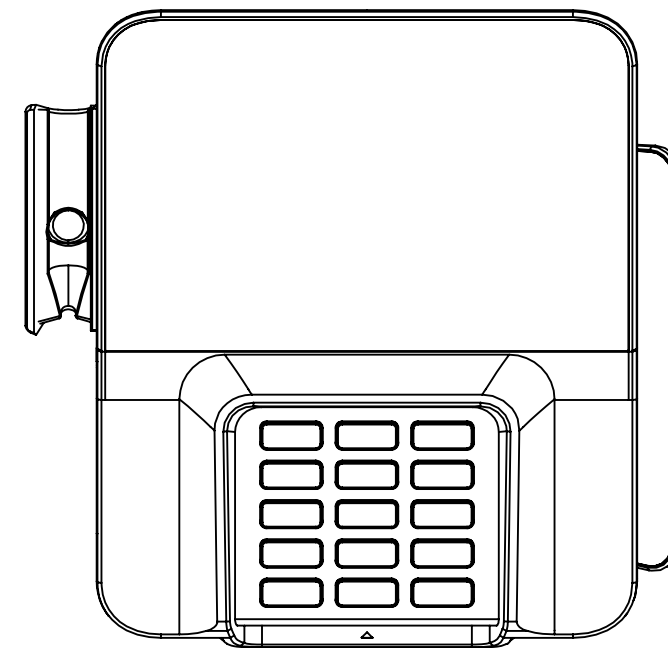
CABLE CLIP

3X #10 X 1.00" LONG
PHILLIPS SCREWS

SWIVEL BASE ROTATES 180°

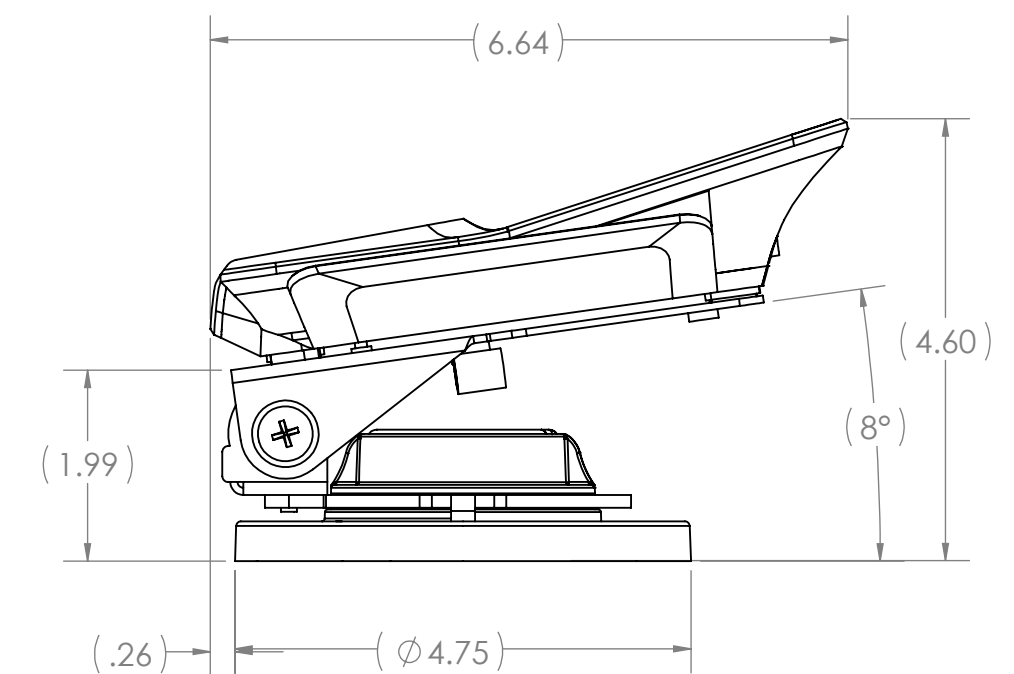
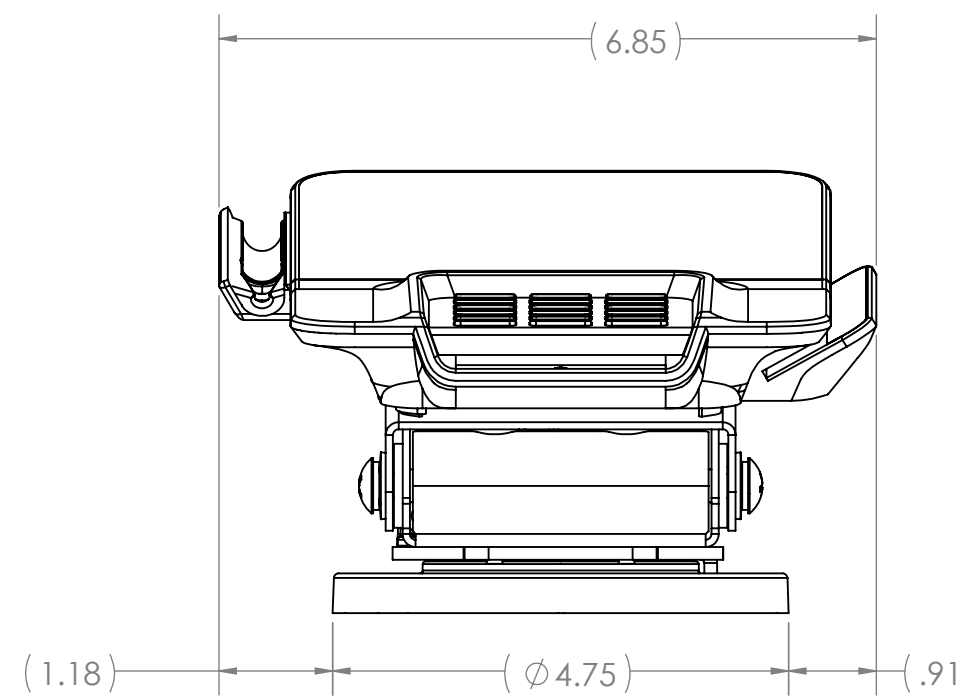
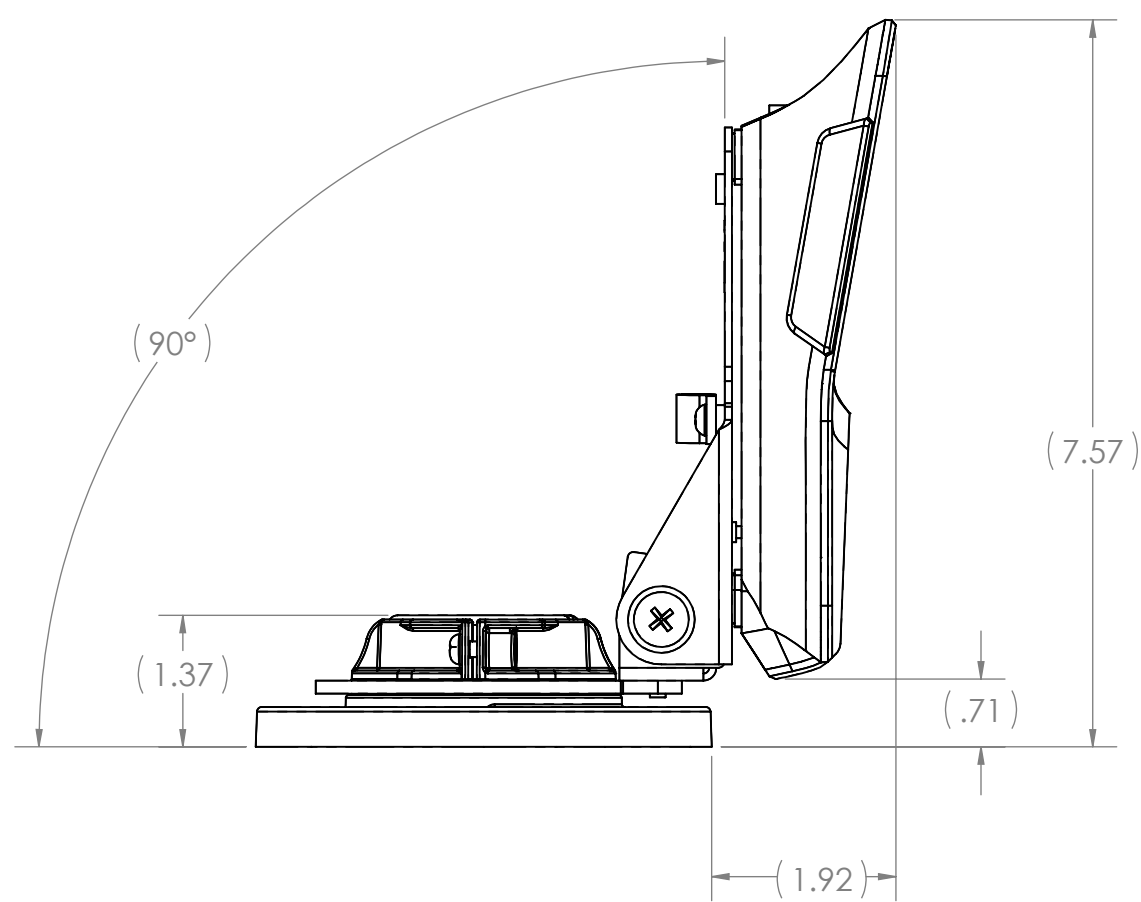
PIVOT BRACKET

VERIFONE M400
(CUSTOMER SUPPLIED)



Ø 1.51
(CABLE ENTRY/EXIT)

BOTTOM VIEW



ROHS COMPLIANT

HAVIS

THE INFORMATION CONTAINED IN THIS DRAWING IS THE SOLE PROPERTY OF HAVIS AND REPRODUCTION IN PART OR IN WHOLE WITHOUT THE WRITTEN PERMISSION OF HAVIS IS PROHIBITED.
ALL DIMENSIONS ARE IN INCHES UNLESS STATED OTHERWISE.

| | | | | |
|---|---------------------------------|-------------------|--------|--------------|
| REV. | DESCRIPTION | DATE | BY | CHK'D |
| B | REVISED PIVOT, MOUNTING BRACKET | 09/08/22 | WJC | |
| A | RELEASED FOR PROTOTYPE | 01/29/21 | JVT | JVT |
| DRAWN J. TERVEER | | | | |
| DATE 01/29/2021 | | | | |
| CUSTOMER APPROVAL (SIGNATURE REQUIRED): | | | | |
| HAVIS | | | | |
| TITLE LOW CONTOUR STAND 8°-90°, CENTER HOLE SWIVEL, VERIFONE M400 | | | | |
| DATE | SIZE C | DWG. NO. 367-5676 | REV. B | SHEET 1 OF 1 |