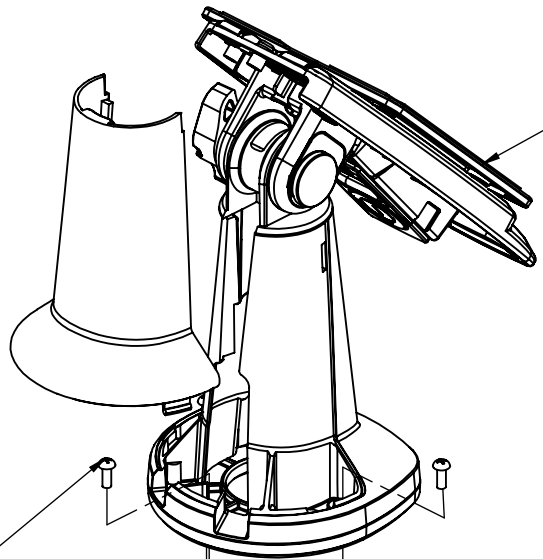


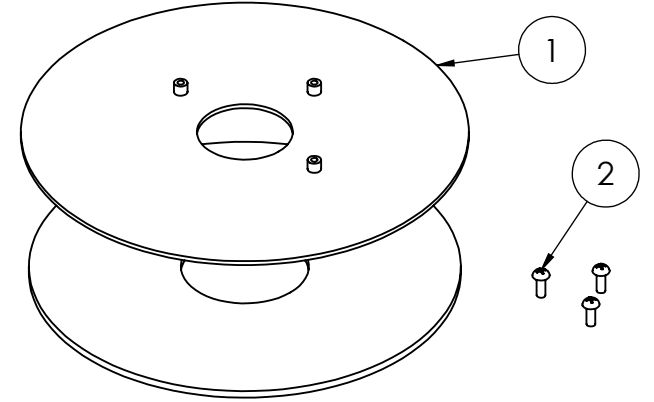
8 7 6 5 4 3 2 1



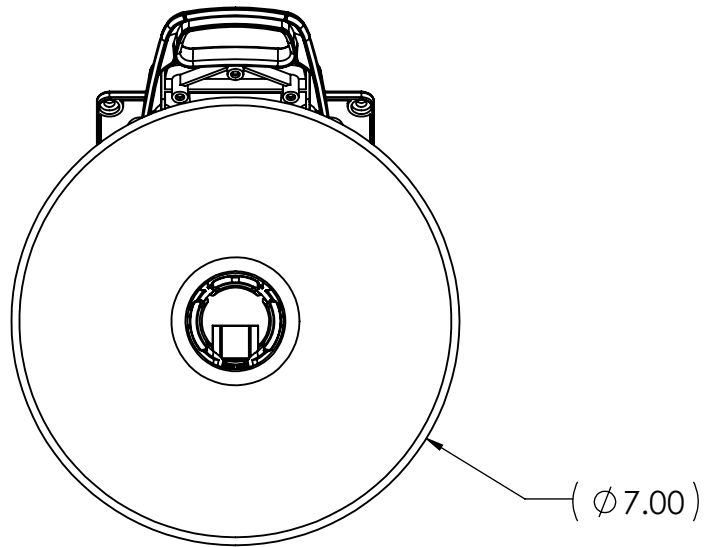
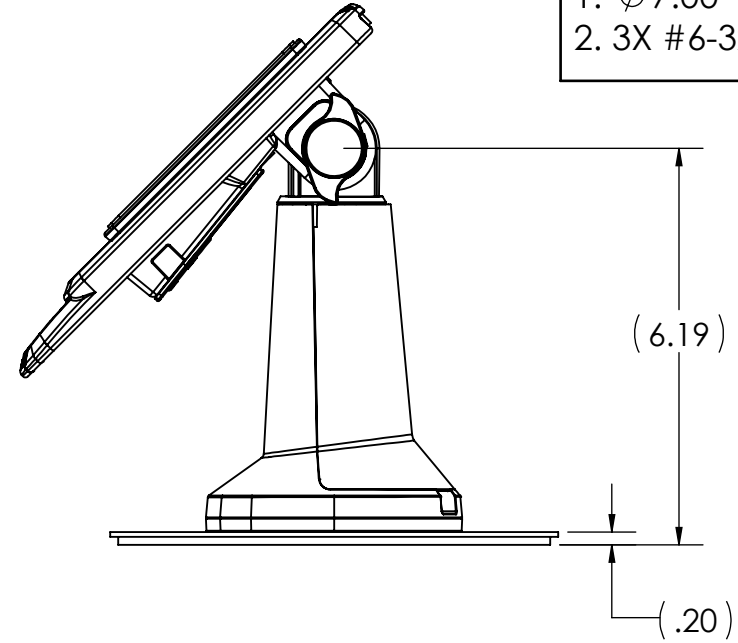
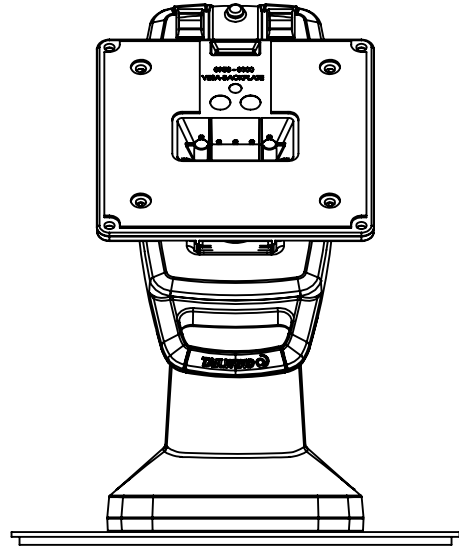
**CUSTOMER'S EXISTING
TAILWIND FLEXIPOLE PLUS STAND**

**3X #6-32 X .38" LONG
PHILLIPS SCREWS**

**Ø 7.00" METAL BASE
WITH RUBBER PAD**



367-5766-RP PRODUCT INCLUDES:
 1. Ø 7.00" METAL BASE WITH RUBBER PAD
 2. 3X #6-32 X .38" LONG PHILLIPS SCREWS



CUSTOMER VERIFICATION

REV.	DESCRIPTION	DATE	BY	CHK'D
A	INITIAL RELEASE	06/14/21	JVT	JVT
DRAWN J. TERVEER DATE 6/14/2021 CUSTOMER APPROVAL (SIGNATURE REQUIRED):				
14451 Ewing Ave - Burnsville, MN 55306 952-767-1005 TITLE FREE STANDING BASE FOR FLEXIPOLE PLUS STAND				
ALL DIMENSIONS ARE IN INCHES		SIZE B	DWG. NO. 367-5766-RP	REV. A
DATE				SHEET 1 OF 1

8 7 6 5 4 3 2 1