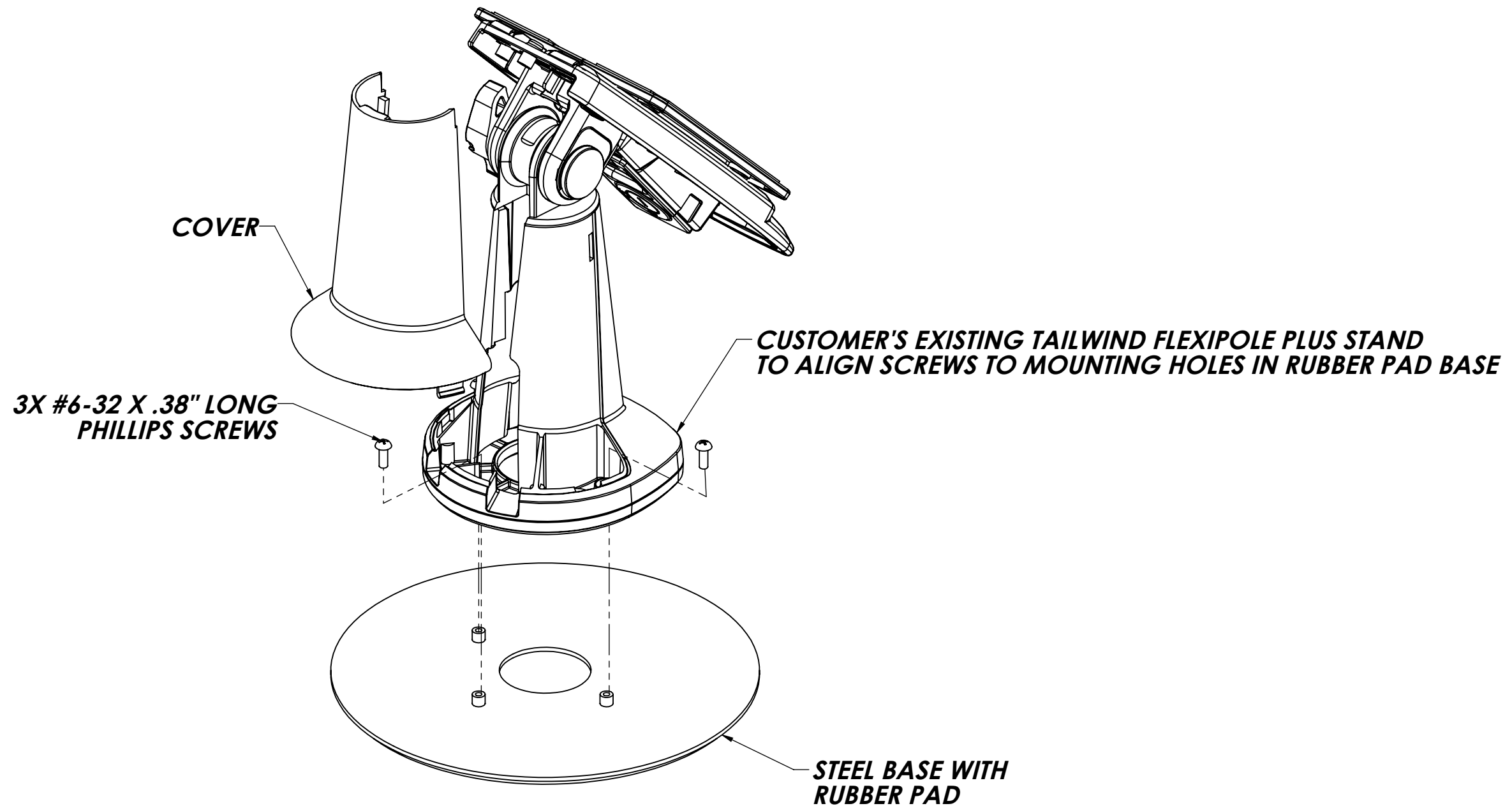


INSTALLATION INSTRUCTIONS



TOOLS LIST:

- 1. #2 PHILLIPS SCREW DRIVER

ASSEMBLY STEPS:

- 1. ASSEMBLE **STEEL BASE WITH RUBBER PAD** TO **CUSTOMER'S TAILWIND FLEXIPOLE PLUS STAND** USING **3X #6-32 X .38" LONG PHILLIPS SCREWS** AS SHOWN.

CUSTOMER INSTRUCTIONS

REV.	DESCRIPTION	DATE	BY	CHK'D
A		06/14/21	JVT	JVT
DRAWN	J. TERVEER			
DATE	6/14/2021			
CUSTOMER APPROVAL (SIGNATURE REQUIRED):		14451 Ewing Ave - Burnsville, MN 55306 952-767-1005		
ALL DIMENSIONS ARE IN INCHES		TITLE FREE STANDING BASE FOR FLEXIPOLE PLUS STAND		
DATE	SIZE	DWG. NO.	REV. A	
	B	367-5766-RP	SHEET 1 OF 1	