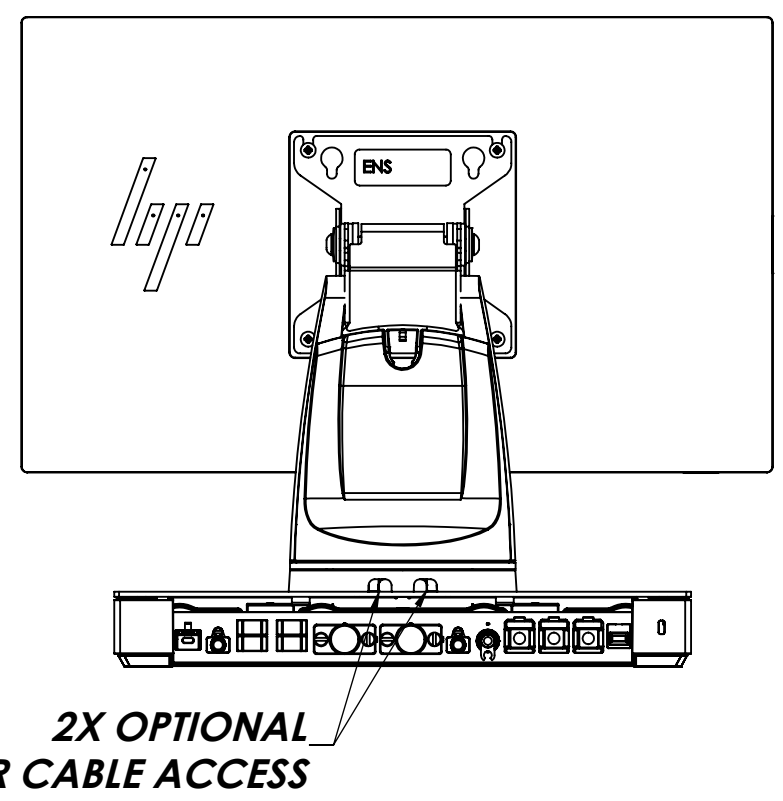
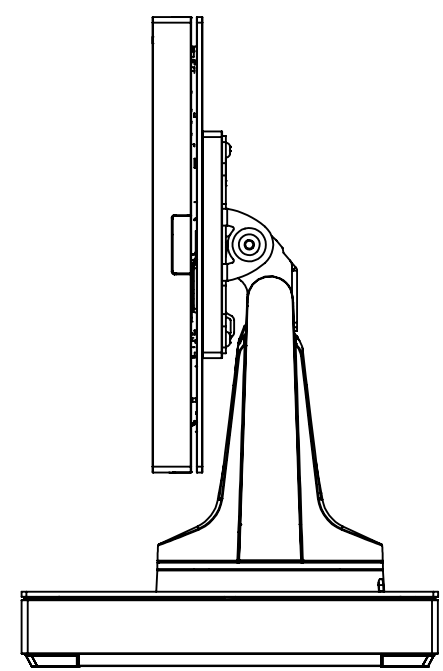
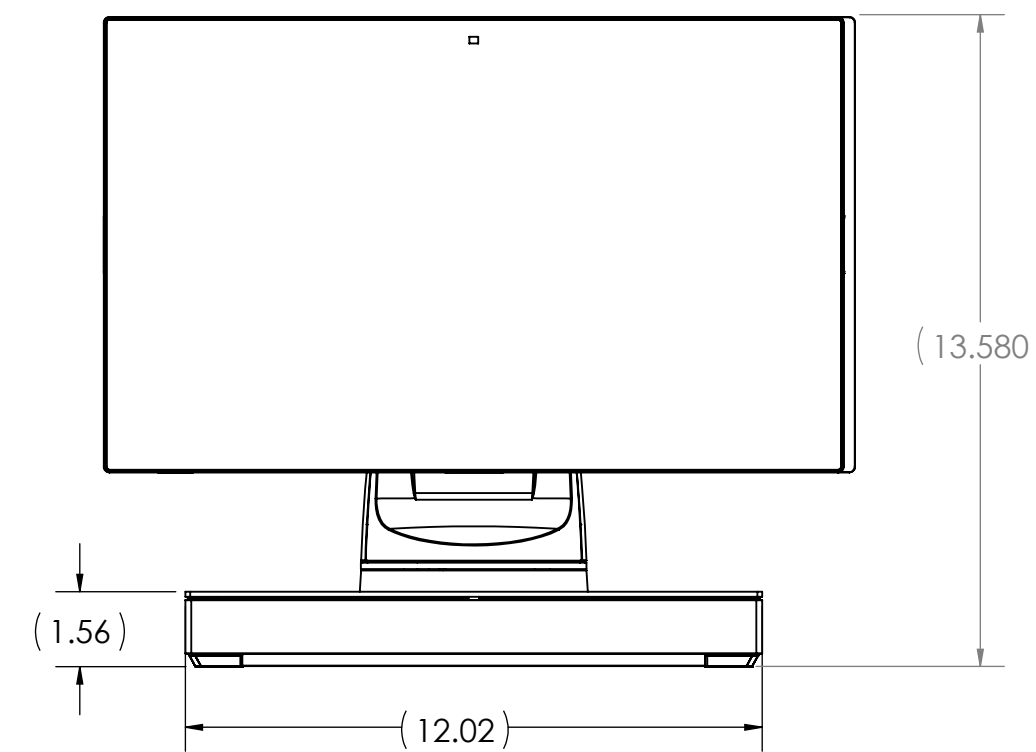
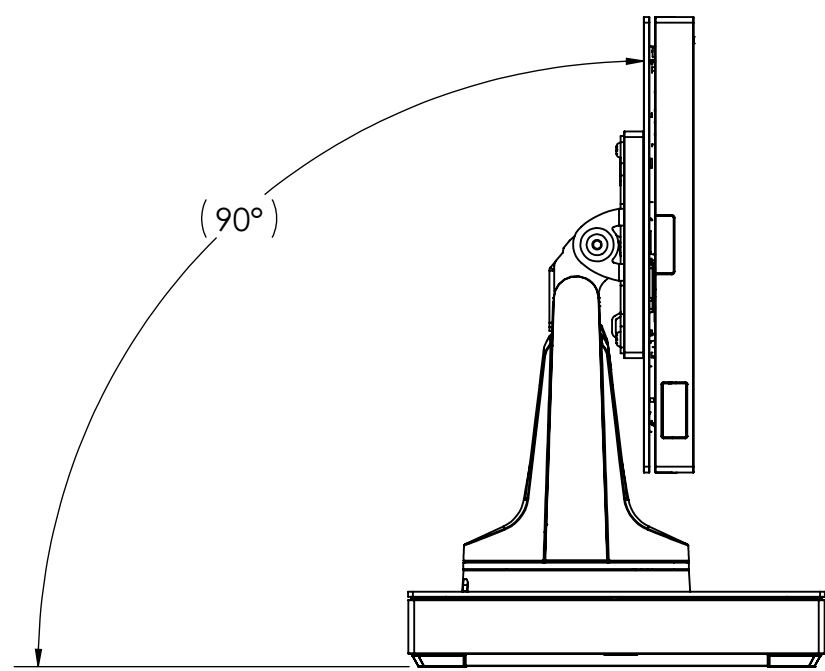
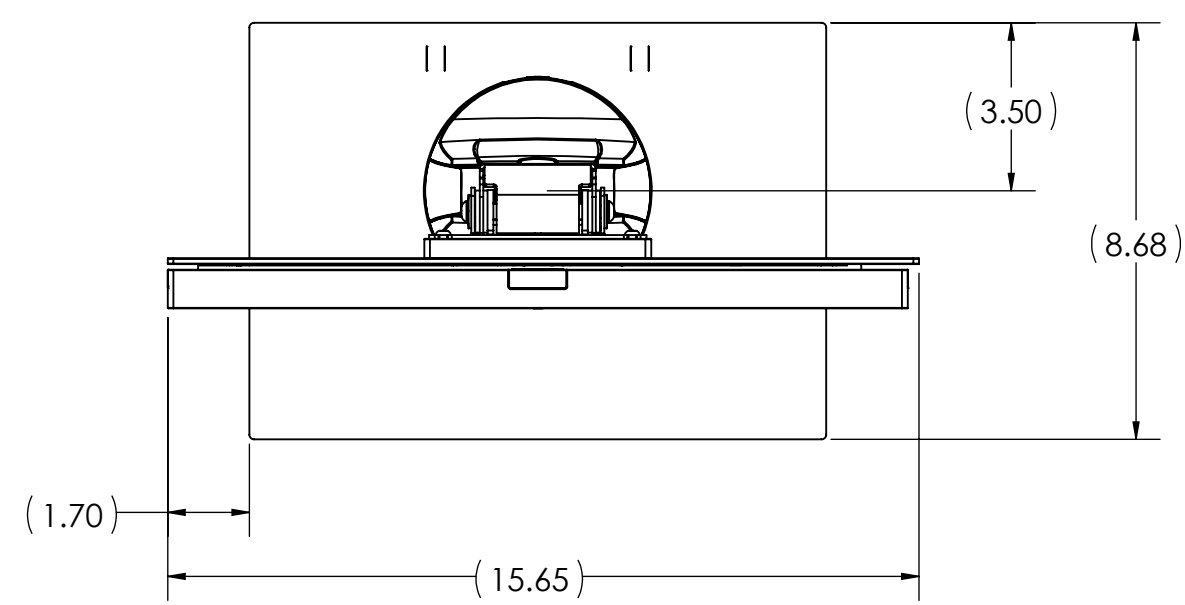
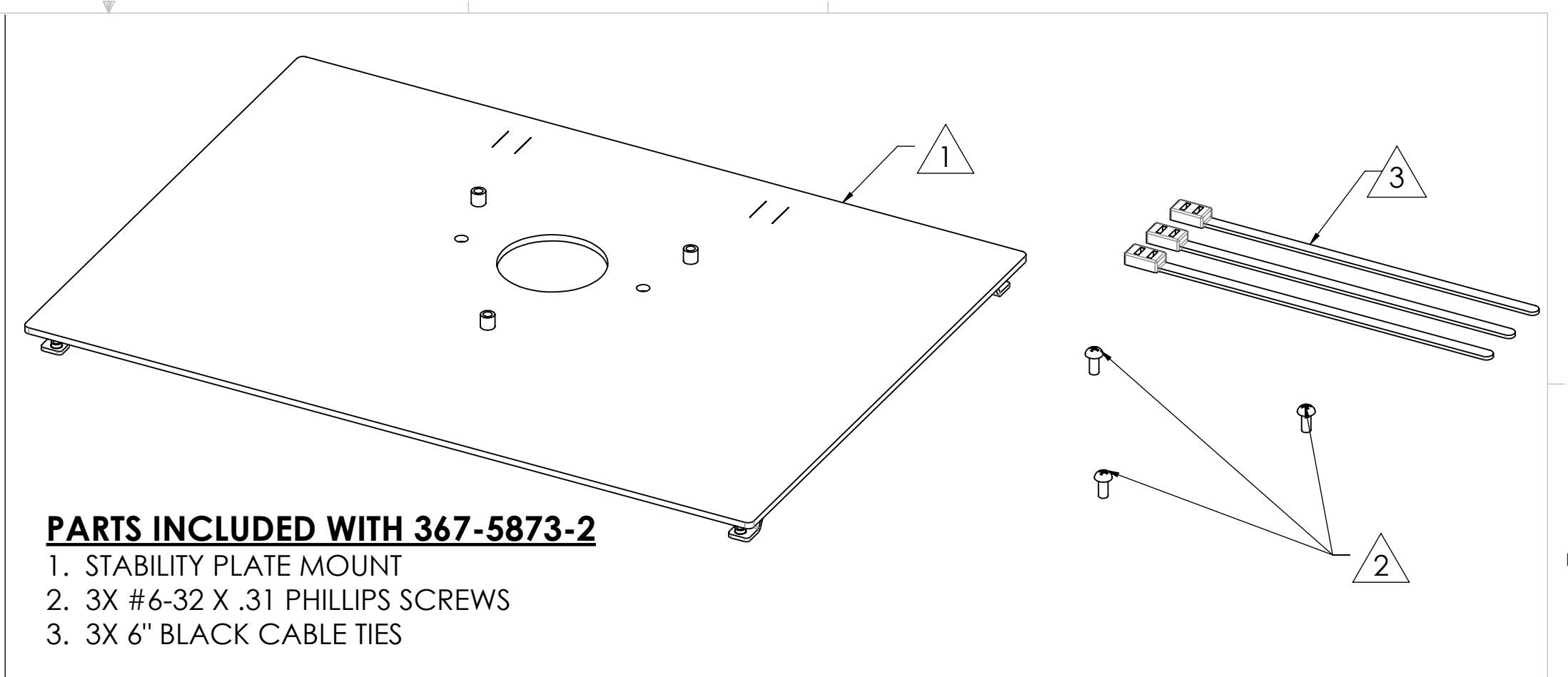
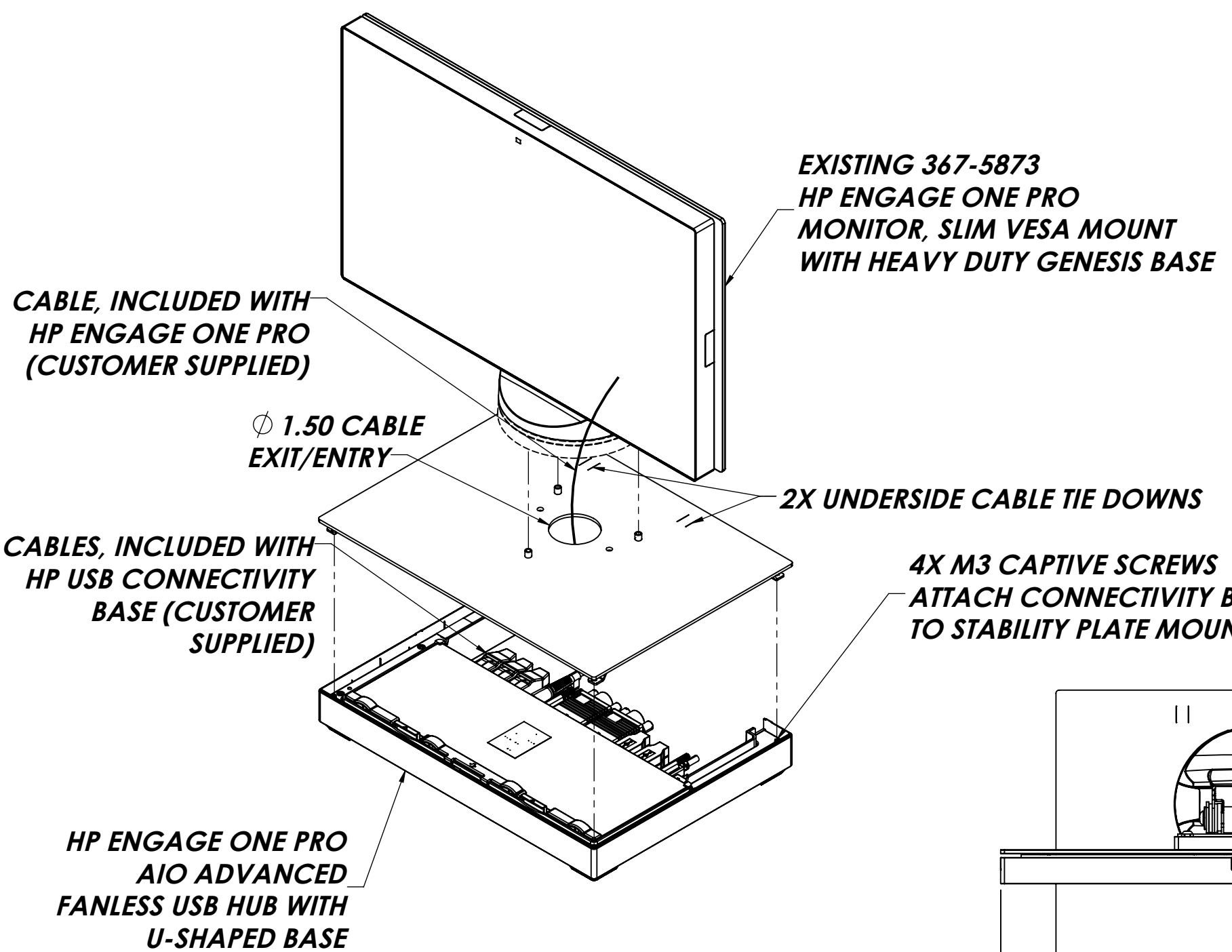


8 7 6 5 4 3 2 1

F
E
D
C
B
A

F
E
D
C
B
A



**ENS STABILITY PLATE MOUNT
CONNECTS ENS GENESIS STANDS TO
HP FANLESS HUB**
COLOR: ALL BLACK
LOCKING MECHANISM: N/A
HEIGHT ADJUST: N/A
PIVOT: N/A
SWIVEL: N/A
HEIGHT: 0.50"
WEIGHT: 3.2 lbs

THE INFORMATION CONTAINED IN THIS DRAWING IS THE SOLE PROPERTY OF HAVIS AND REPRODUCTION IN PART OR IN WHOLE WITHOUT THE WRITTEN PERMISSION OF HAVIS IS PROHIBITED.
 ALL DIMENSIONS ARE IN INCHES UNLESS STATED OTHERWISE.



B	REVISED STABILITY PLATE MOUNT	9/16/22	PFT	PFT
A	RELEASED FOR PROTOTYPE	12/3/21	TAS	
REV.	DESCRIPTION	DATE	BY	CHK'D
DRAWN	P. TRIBUNO			
DATE	12/3/2021			
CUSTOMER APPROVAL (SIGNATURE REQUIRED):				
DATE				
	TITLE	STABILITY PLATE MOUNT, FOR GENESIS BASE, HP ENGAGE ONE FANLESS HUB		
	SIZE	DWG. NO.	REV.	
	C	367-5873-2	B	
			SHEET 1 OF 1	

8 7 6 5 4 3 2 1