

STEPS 1-3, 6, 8

STEP 7

STEP 5

STEP 4, SIDE VIEW

TOOL LIST:

1. #2 PHILLIPS SCREW OR DRILL DRIVER

ASSEMBLY STEPS:

1. SECURE **HD GENESIS STAND** TO **STABILITY PLATE MOUNT** USING **3X #6-32 X 3/8 PHILLIPS SCREWS**.
2. SECURE **MONITOR** TO **MONITOR MOUNT PIVOT BRACKET** USING **4X M4 X 10MM LONG PHILLIPS SCREWS**.
3. ROUTE **MONITOR CABLE** DOWN THROUGH **HD GENESIS STAND, SWIVEL BASE, AND STABILITY PLATE MOUNT**.
4. SECURE **MONITOR CABLE** TO **BRIDGE LANCE** USING **CABLE TIE**. SEE SIDE VIEW.
5. SECURE **STABILITY PLATE MOUNT** TO **HP ENGAGE ONE FANLESS HUB** USING **4X CAPTIVE M3 SCREWS**.
6. **OPTIONAL:** TO ADJUST SWIVEL TENSION, ROTATE **SWIVEL TENSION ADJUSTMENT SCREW**.
7. ATTACH THE **2X BASE COVERS** TO THE **HD GENESIS STAND** AS SHOWN.
8. **OPTIONAL:** TO ADJUST THE TILT TENSION, ROTATE THE **2X TILT TENSION ADJUSTMENT SCREWS** BY USING A **5/32" HEX ALLEN WRENCH** (PROVIDED INSIDE BASE COVER).
9. SEE SHEET 2 FOR INSTALLATION OF **CABLE GROMMET**.

(OPTIONAL) INSTALL SWIVEL STOP SCREW (PROVIDED) IN 1 OF THE LOCATIONS SHOWN. ROTATE SWIVEL BASE TO ALIGN STOP SCREW WITH THREADS IN BASE.

TO ATTACH COVERS, INSERT 2X TABS INTO 2X SLOTS AS SHOWN

PULL FROM GROOVE TO REMOVE

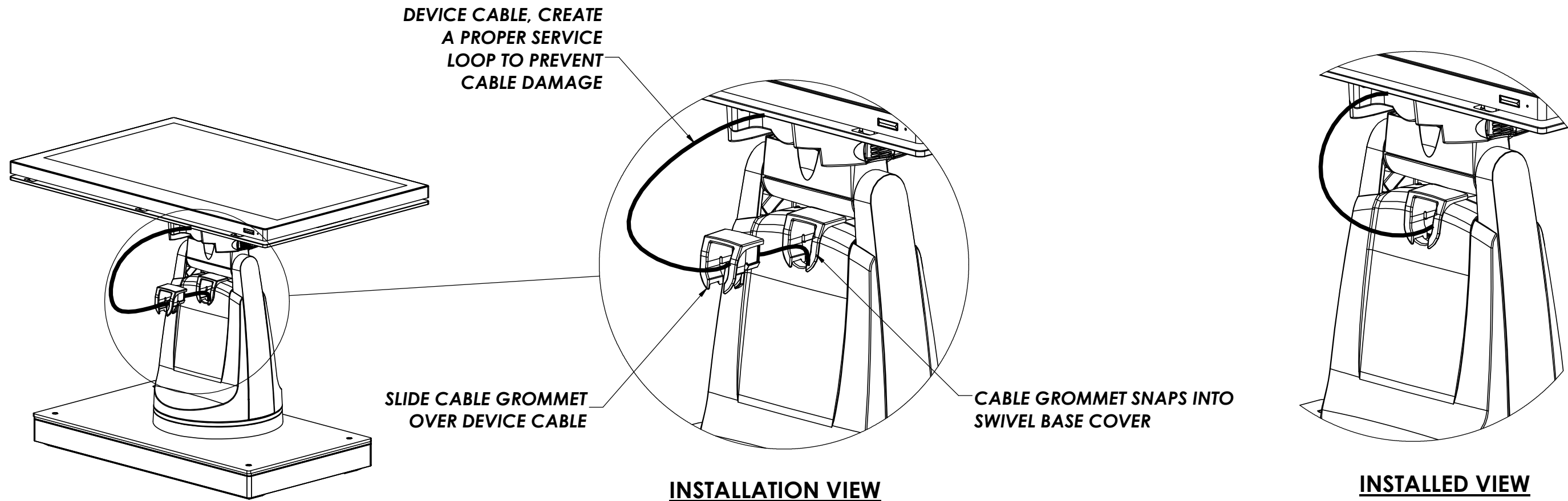
DWG. NO.	367-5892	REV.	B
DRAWN	P. TRIBUNO	DATE	8/15/2022

TITLE
STABILITY PLATE MOUNT WITH HD GENESIS STAND FOR HP ENGAGE ONE PRO FANLESS HUB



CUSTOMER INSTRUCTIONS

GROMMET INSTALLATION INSTRUCTIONS



DWG. NO.
367-5892

REV.
B

TITLE
STABILITY PLATE MOUNT WITH HD GENESIS STAND
FOR HP ENGAGE ONE PRO FANLESS HUB

DRAWN
P. TRIBUNO

DATE
8/15/2022

SHEET 2 OF 2

HAVIS

CUSTOMER INSTRUCTIONS

THE INFORMATION CONTAINED IN THIS DRAWING IS THE SOLE PROPERTY OF HAVIS AND REPRODUCTION IN PART OR IN WHOLE WITHOUT THE WRITTEN PERMISSION OF HAVIS IS PROHIBITED.