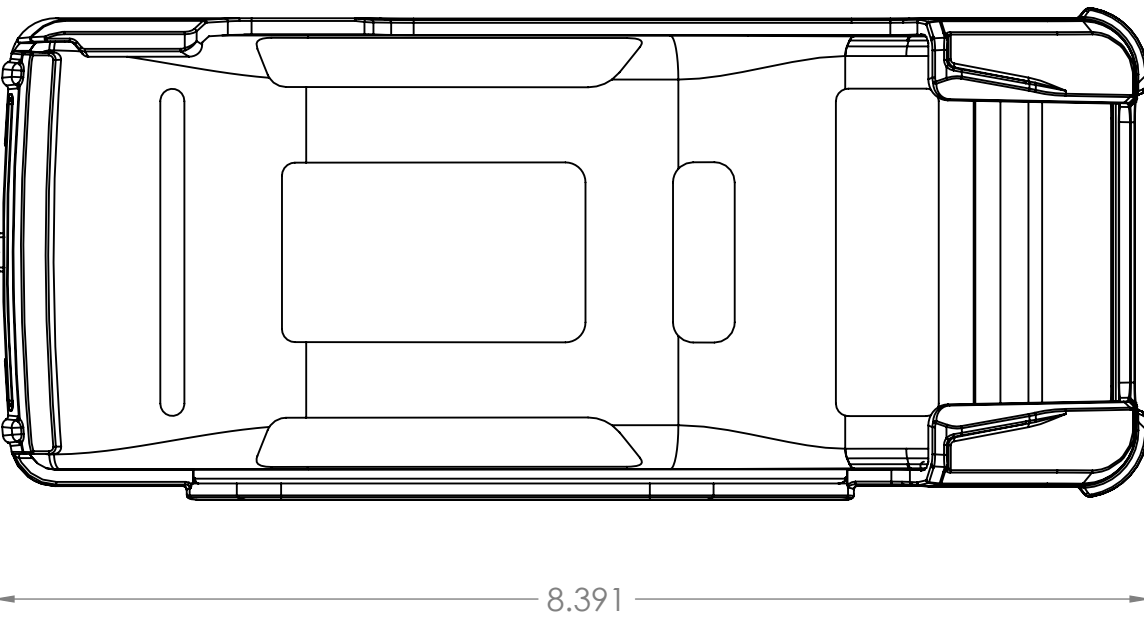
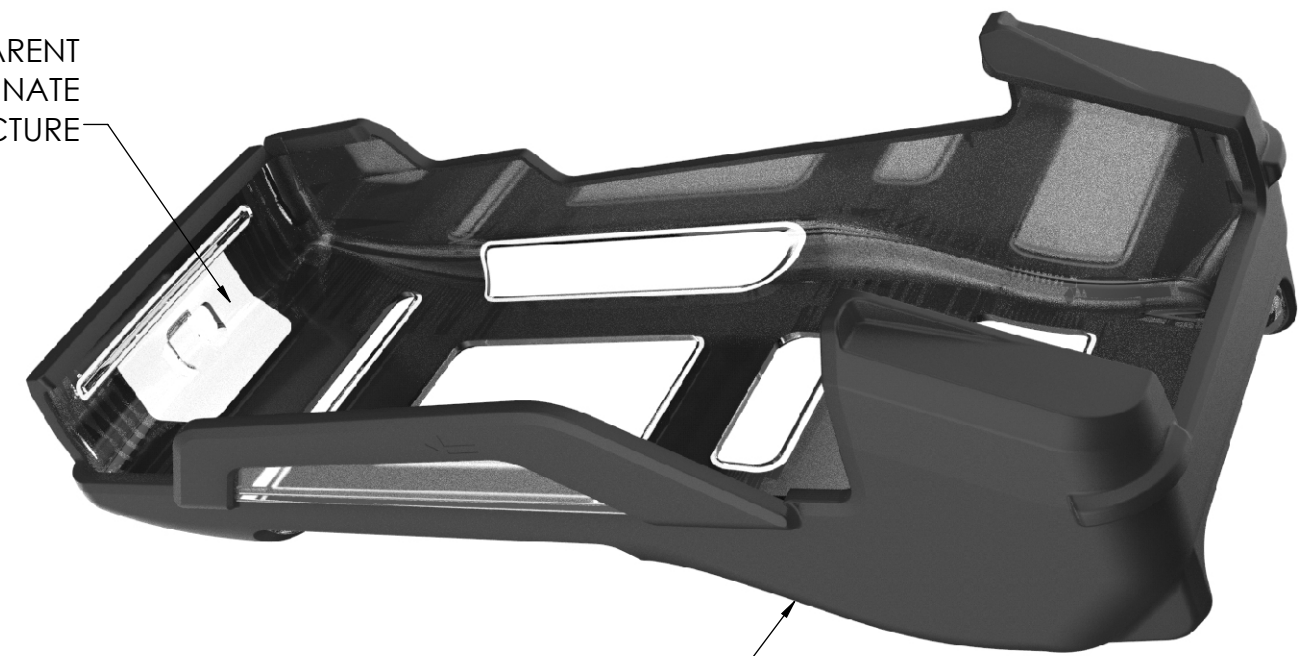


8 7 6 5 4 3 2 1

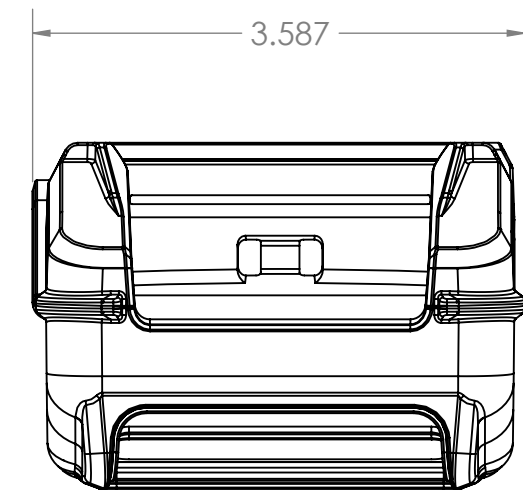
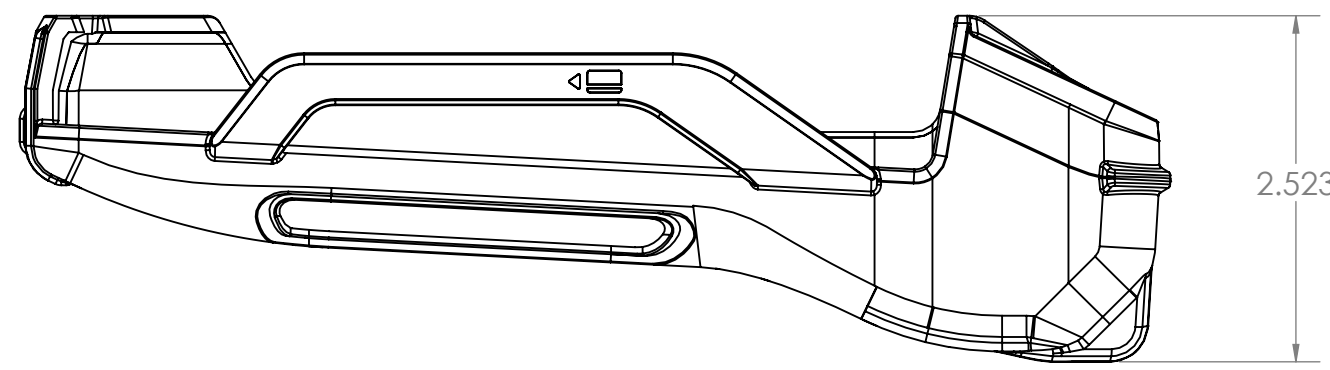
D
C
B
A



TRANSPARENT
POLYCARBONATE
STRUCTURE



RUBBERIZED TPU OUTER SHELL



DWG. NO.
367-5922

REV.
A

TITLE

**RUGGED MOBILE CASE
CASTLES S1F2**



SHEET 1 OF 1

REVISIONS				
REV	DESCRIPTION	DATE	BY	CHK'D
A	INITIAL RELEASE	02/08/23	JWB	JWB

THE INFORMATION CONTAINED IN THIS DRAWING IS THE SOLE PROPERTY OF HAVIS, INC. AND REPRODUCTION IN PART OR IN WHOLE WITHOUT THE WRITTEN PERMISSION OF HAVIS, INC. IS PROHIBITED.

TECHNICAL INFORMATION

8 7 6 5 4 3 2 1