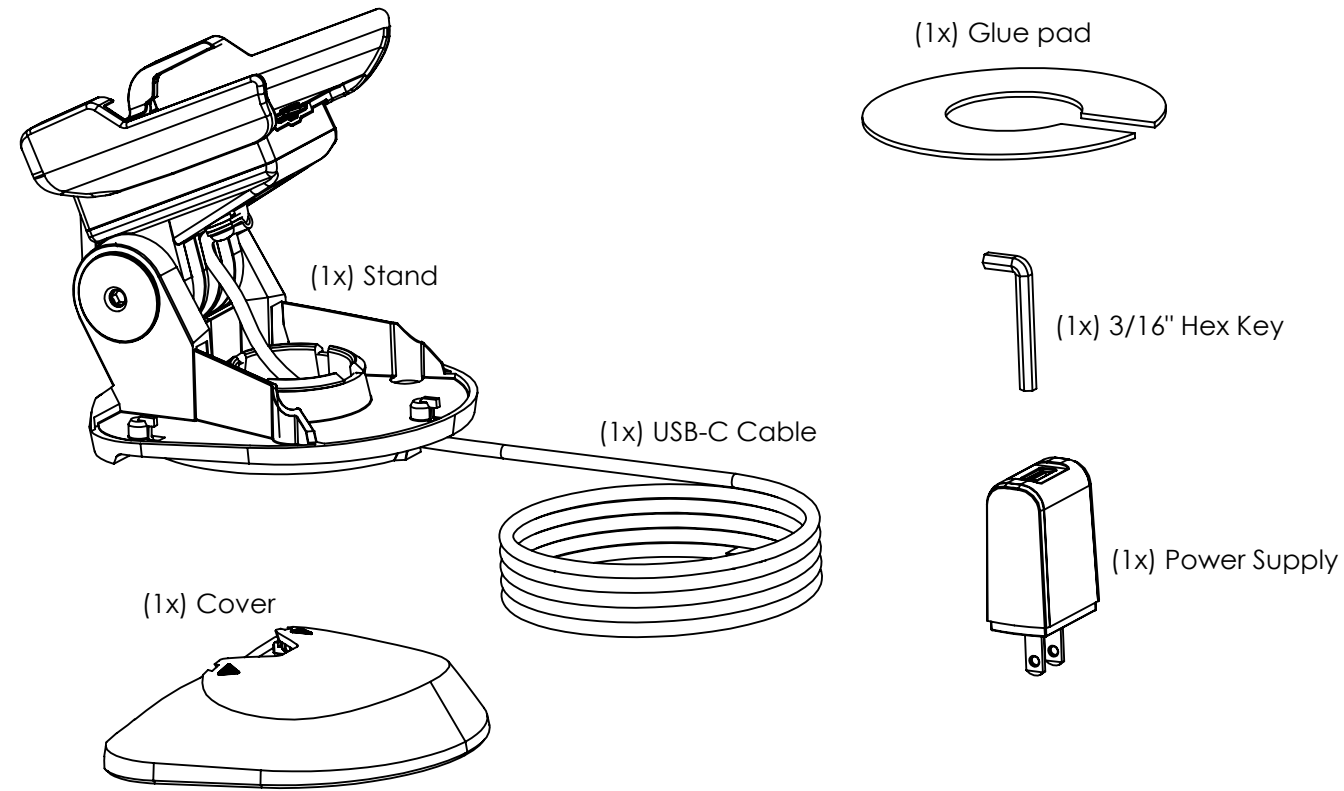
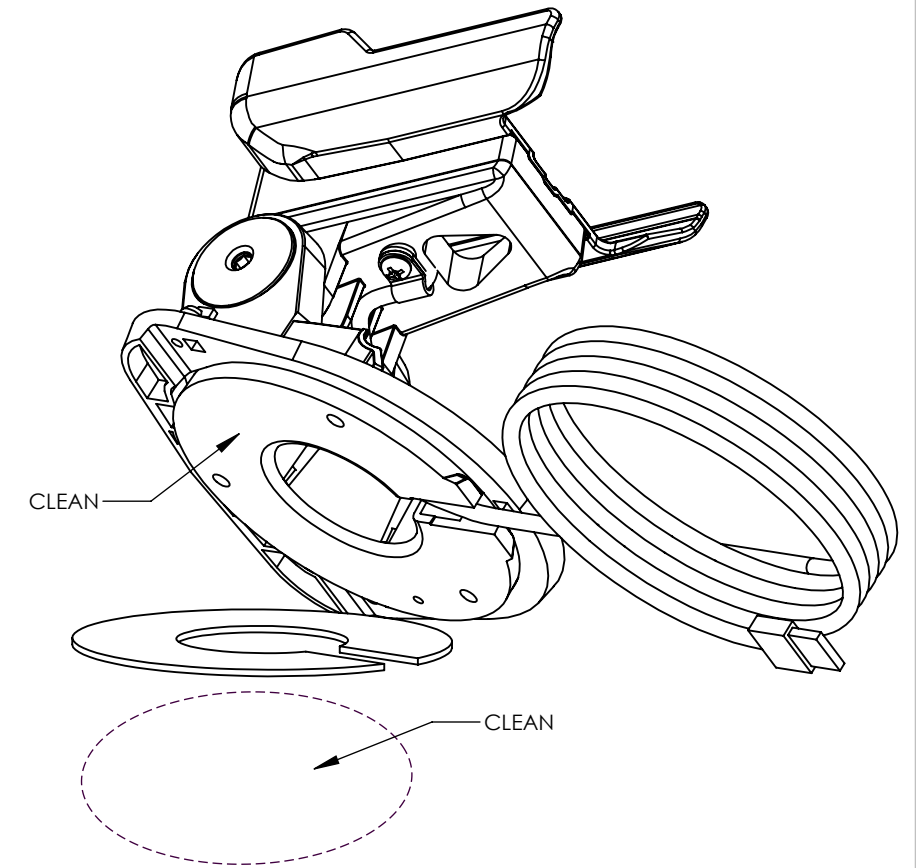


What's in the box



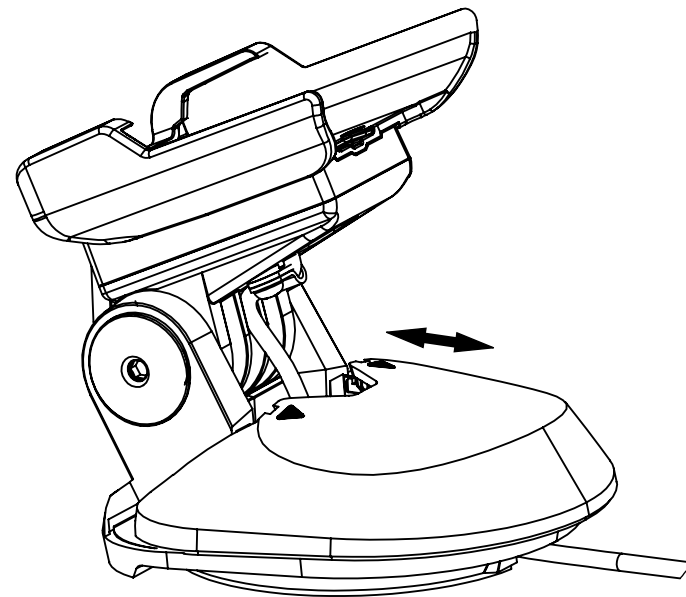
1. Route cable and install stand with glue pad

- Determine stand position
- Clean mounting surface and bottom surface of stand using provided alcohol whip
- Peel off backing paper from glue pad and adhere to bottom of stand
- Peel off backing paper from glue pad and adhere stand to surface by firmly pressing on stand



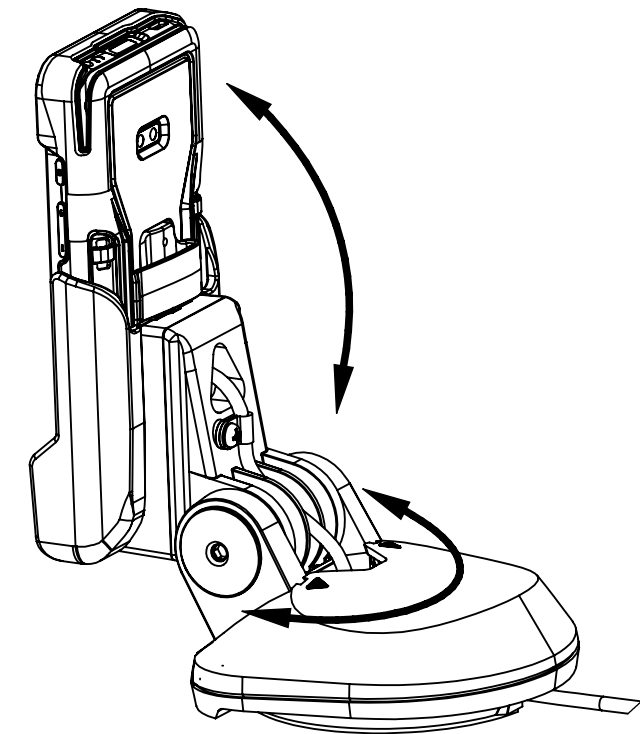
2. Install cover

- Place cover on stand and push forward on both sides using light downward force
- To remove cover, press down lightly on arrows and pull back



3. Verify and adjust

- Fully rotate and pitch payment stand through entire range of movements and verify cable is not stressed at any point
- If additional (or less) pitch tension is required, use the provided 3/16" hex key to adjust



DWG. NO. 367-5935

REV. A

TITLE

PAX A77 STAND INSTALLATION INSTRUCTIONS

DRAWN
R. WADDELL

DATE
10/19/22

HAVIS

Havis, Inc.
14451 Ewing Ave.
Burnsville, MN 55306

SHEET 1 OF 1

THE INFORMATION CONTAINED IN THE DRAWING IS THE SOLE PROPERTY OF HAVIS, INC. AND REPRODUCTION IN PART OR IN WHOLE WITHOUT THE WRITTEN PERMISSION OF HAVIS, INC. IS PROHIBITED.

CUSTOMER INSTRUCTIONS