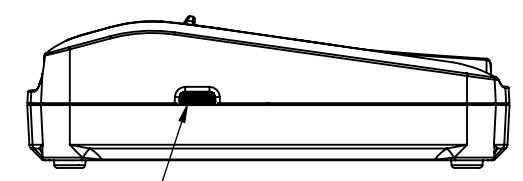
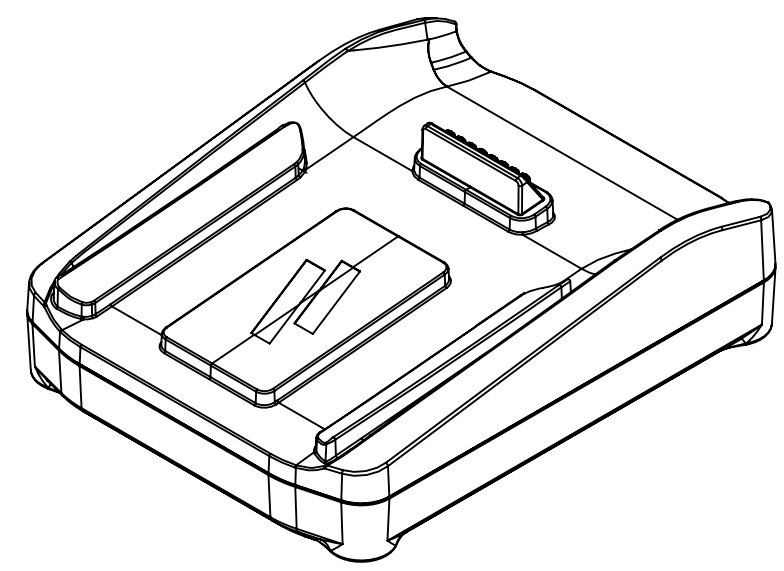
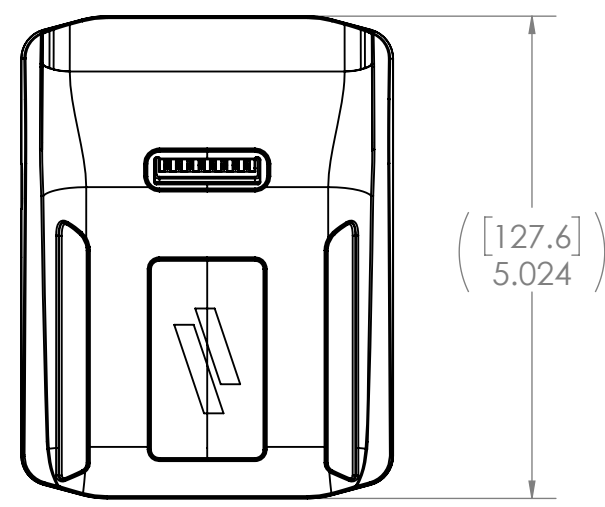


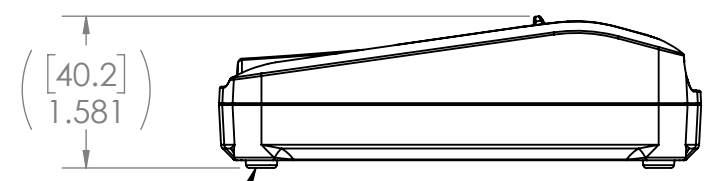
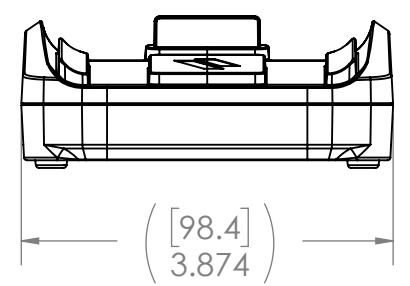
8 7 6 5 4 3 2 1

D
C
B
A

D
C
B
A



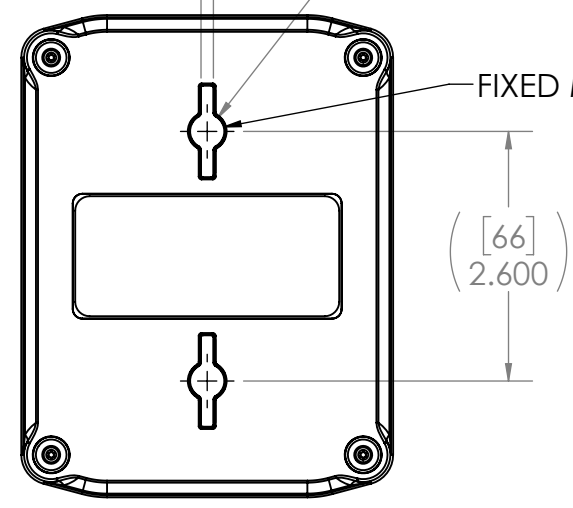
POWER INPUT
USB-C
POWER SUPPLY NOT INCLUDED
(SUPPLIED WITH DEVICE)



ANTI-SKID RUBBER FEET



FIXED MOUNTING FEATURES



PRODUCT INFORMATION
INPUT: 5VDC, 2A, 10.0W
TYPE 2 OR GREATER



DWG. NO. 367-5938-1	REV. B	TITLE SINGLE-BAY CHARGER S1F2	HAVIS	SHEET 1 OF 1
DRAWN J. BRANDT	DATE 10/7/2022			

REVISIONS				
REV	DESCRIPTION	DATE	BY	CHK'D
B	INITIAL RELEASE	10/09/23	JWB	

THE INFORMATION CONTAINED IN THIS DRAWING IS THE SOLE PROPERTY OF HAVIS, INC. AND REPRODUCTION IN PART OR IN WHOLE WITHOUT THE WRITTEN PERMISSION OF HAVIS, INC. IS PROHIBITED.

TECHNICAL INFORMATION

8 7 6 5 4 3 2 1