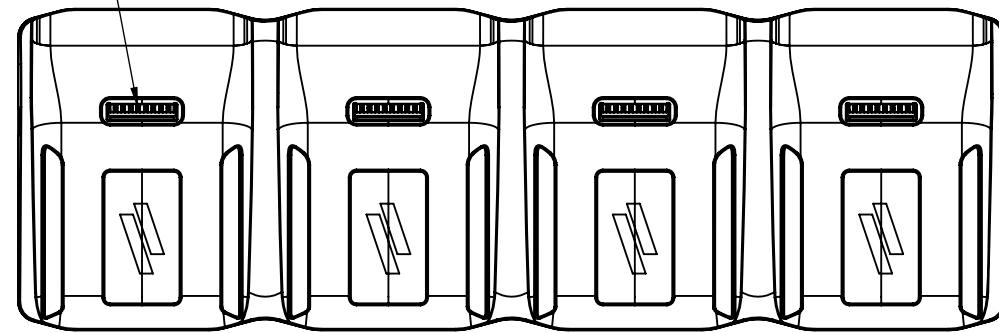
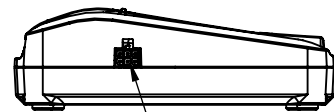
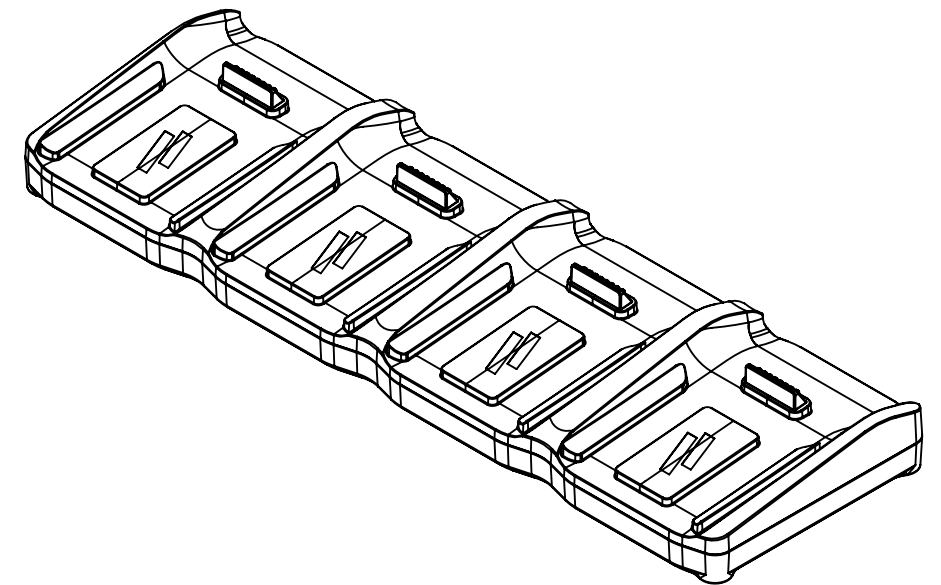


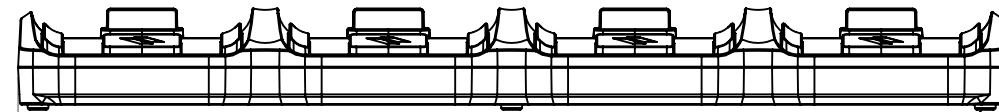
CHARGING CONTACTS



[97.8]
3.85
BETWEEN
BAYS

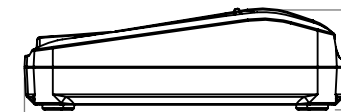


POWER INPUT
(POWER SUPPLY INCLUDED)



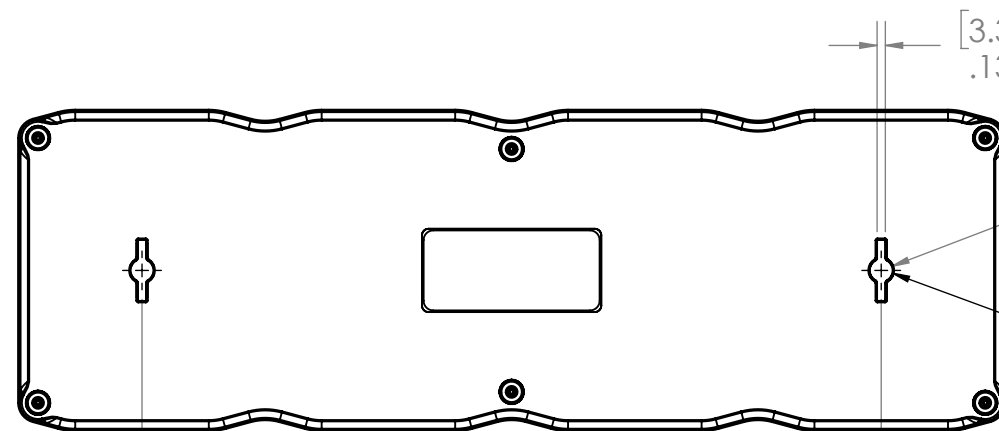
ANTI-SKID
RUBBER FEET

[391.8]
15.42



[39.6]
1.56

[127.6]
5.02



[9.1]
Ø.36

FIXED MOUNTING FEATURES

[293.4]
11.55

PRODUCT INFORMATION

INPUT: 5VDC, 8A, 40.0W
TYPE 2 OR GREATER

CAN BE USED ATTACHED WITH
HAVIS PROTECTIVE CASE P/N 367-5938



DWG. NO.
367-5938-4

REV.
B

TITLE

4-BAY CHARGER
S1F2



SHEET 1 OF 1

REVISIONS				
REV	DESCRIPTION	DATE	BY	CHK'D
A	INITIAL RELEASE	10/09/23	JWB	

TECHNICAL INFORMATION