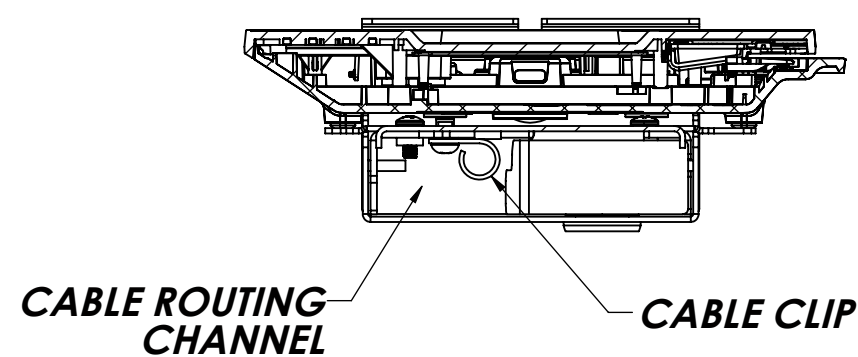
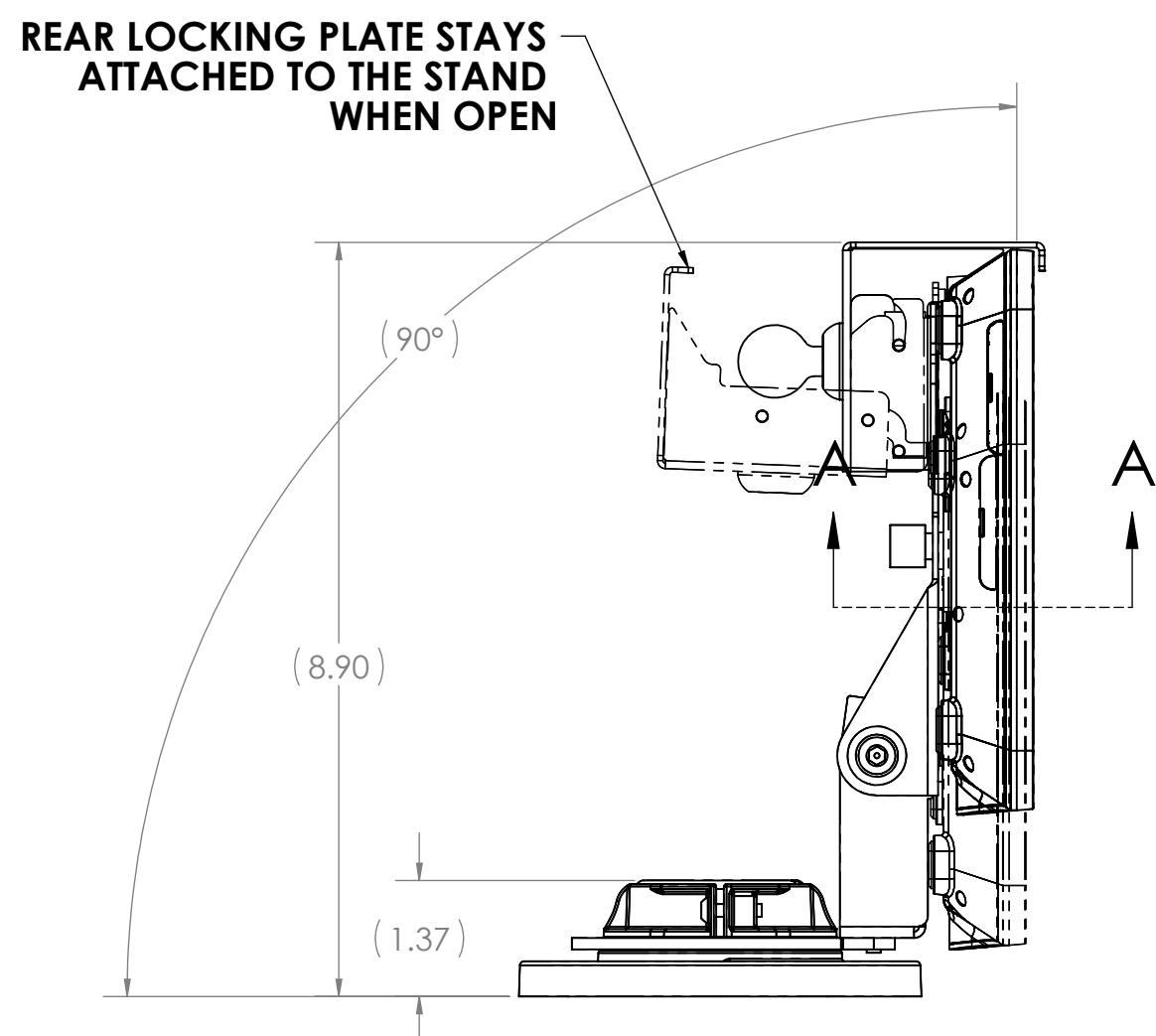
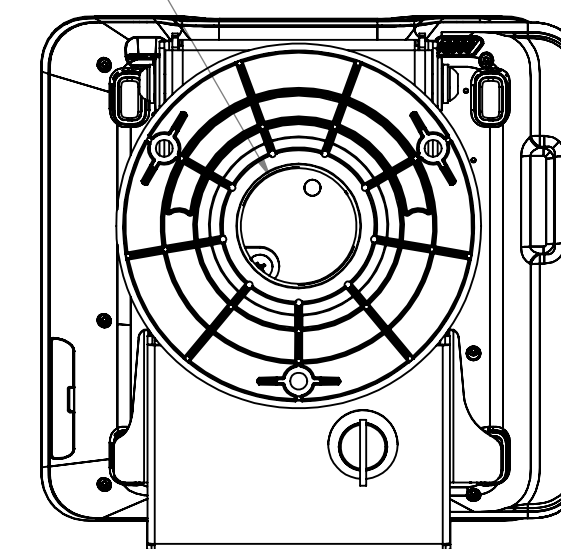


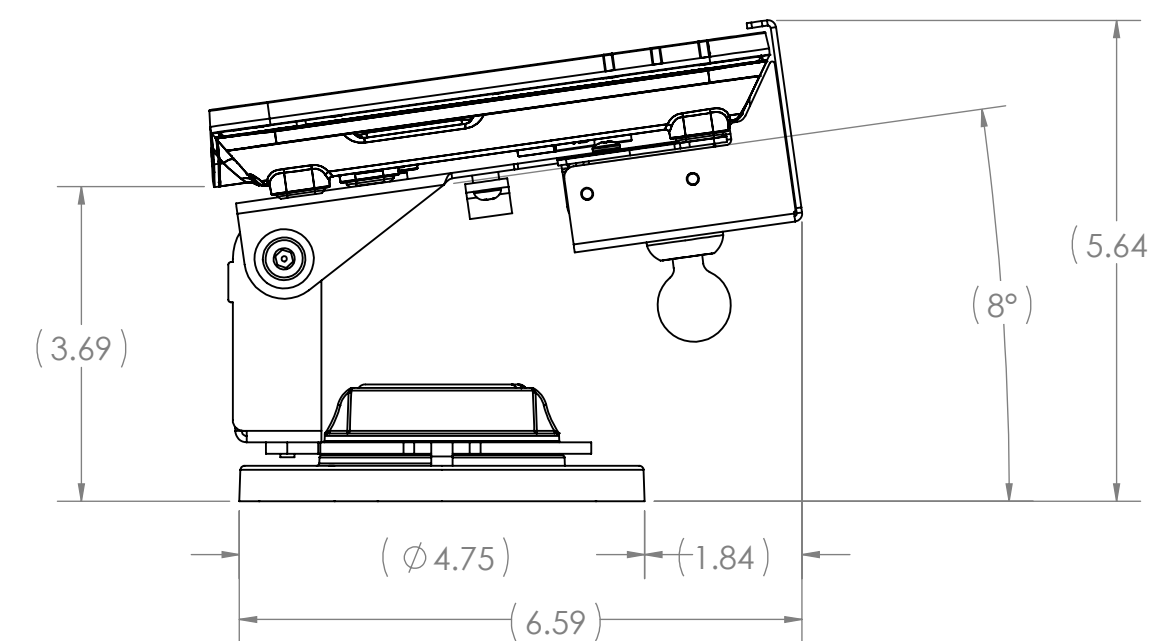
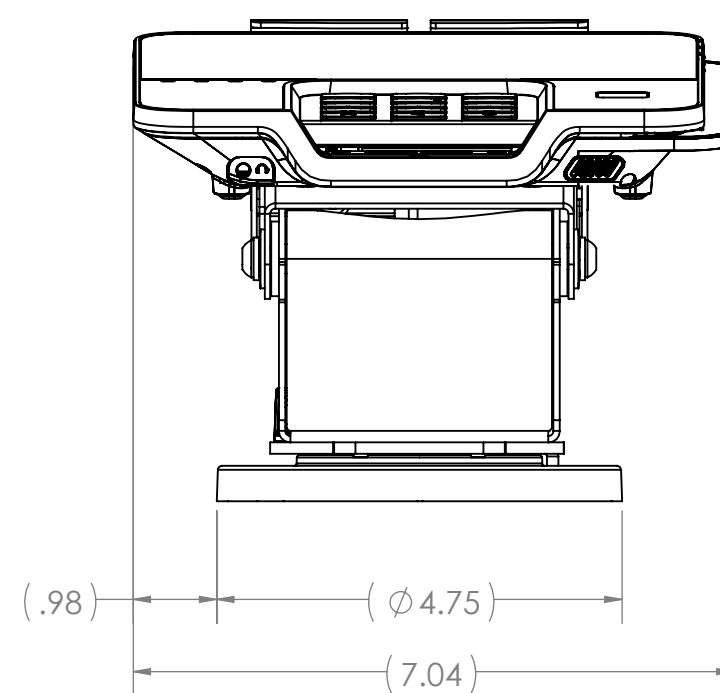
( $\phi$  1.51  
CABLE ENTRY/EXIT)



**SECTION A-A**



**BOTTOM VIEW**



**ROHS COMPLIANT**

THE INFORMATION CONTAINED IN THIS DRAWING IS THE SOLE PROPERTY OF HAVIS AND REPRODUCTION IN PART OR IN WHOLE WITHOUT THE WRITTEN PERMISSION OF HAVIS IS PROHIBITED.  
ALL DIMENSIONS ARE IN INCHES UNLESS STATED OTHERWISE.

**HAVIS**

REV.	DESCRIPTION	DATE	BY	CHK'D
A	RELEASED FOR PROTOTYPE	11/02/22	WJC	WJC

DRAWN W. CLAIRE  
DATE 11/2/2022

CUSTOMER APPROVAL (SIGNATURE REQUIRED):

DATE

SIZE C DWG. NO. 367-6076 REV. A SHEET 1 OF 1

**HAVIS**

TITLE LOW CONTOUR 8°-90°, WITH REAR LOCKING PLATE, CENTER HOLE SWIVEL STAND, ANTI SKIMMING FEATURE, EMV CARD CLEARANCE, VERIFONE M424