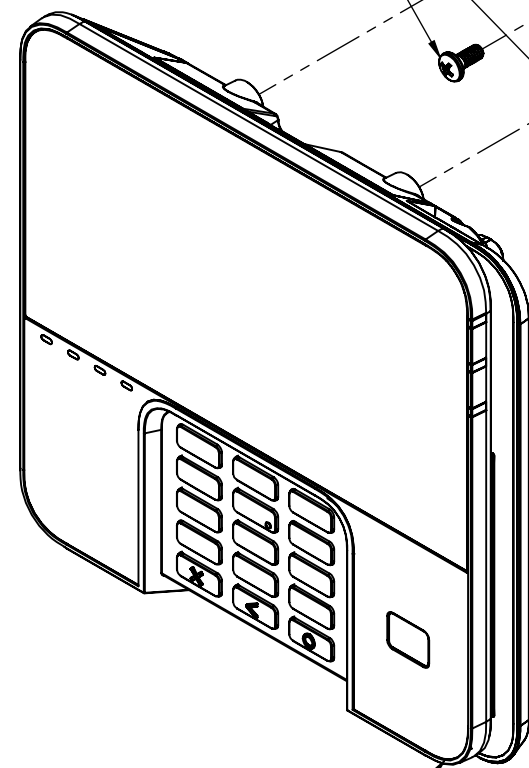


**REAR LOCKING BRACKET  
WORKS WITH VERIFONE M424  
(INCLUDED)**

**FIXED LOCKING BRACKET  
ATTACHES TO EXISTING ENS STAND  
(INCLUDED)**

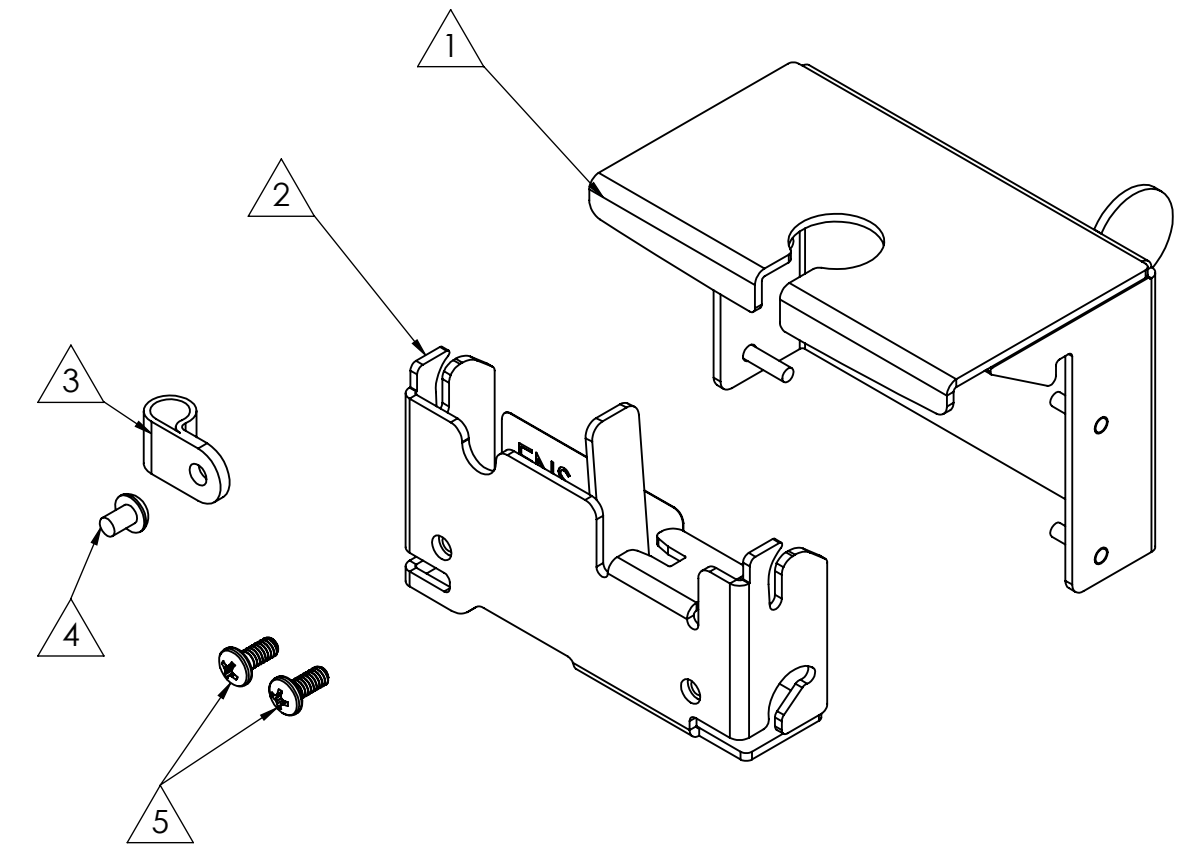
**CABLE MANAGEMENT CLIP  
AND ATTACHMENT SCREW  
(INCLUDED)**

**2X #8-32 X .38" LONG  
PHILLIPS SCREWS  
(INCLUDED)**



**CUSTOMER'S  
VERIFONE M424**

**CUSTOMER EXISTING SWIVEL STAND  
ENS P/N 367-3213 SHOWN FOR REFERENCE**



**367-6077-A PRODUCT INCLUDES:**

1. REAR LOCKING BRACKET
2. FIXED LOCKING BRACKET
3. CABLE CLIP
4. #8-32 X .25" LONG PHILLIPS SCREW
5. 2X #8-32 X .38" LONG PHILLIPS FLATHEAD SCREWS

**ROHS COMPLIANT**

**HAVIS**

THE INFORMATION CONTAINED IN THIS DRAWING IS THE SOLE PROPERTY OF HAVIS AND REPRODUCTION IN PART OR IN WHOLE WITHOUT THE WRITTEN PERMISSION OF HAVIS IS PROHIBITED.  
ALL DIMENSIONS ARE IN INCHES UNLESS STATED OTHERWISE.

|  |   |                   |        |              |
|--|---|-------------------|--------|--------------|
| REV. A                                     | RELEASED FOR PRODUCTION                       | 11/03/22          | WJC    | WJC          |
| REV.                                       | DESCRIPTION                                   | DATE              | BY     | CHK'D        |
| DRAWN                                      | W. CLAIRE                                     |                   |        |              |
| DATE                                       | 11/3/2022                                     |                   |        |              |
| CUSTOMER APPROVAL<br>(SIGNATURE REQUIRED): | TITLE REAR LOCKING, ADD-ON KIT, VERIFONE M424 |                   |        |              |
| DATE                                       | SIZE C  | DWG. NO. 367-6077 | REV. A | SHEET 1 OF 1 |