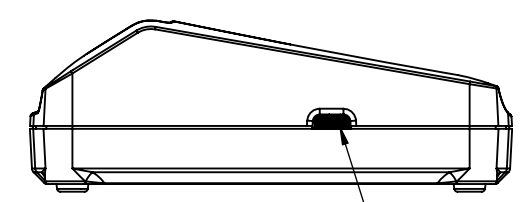
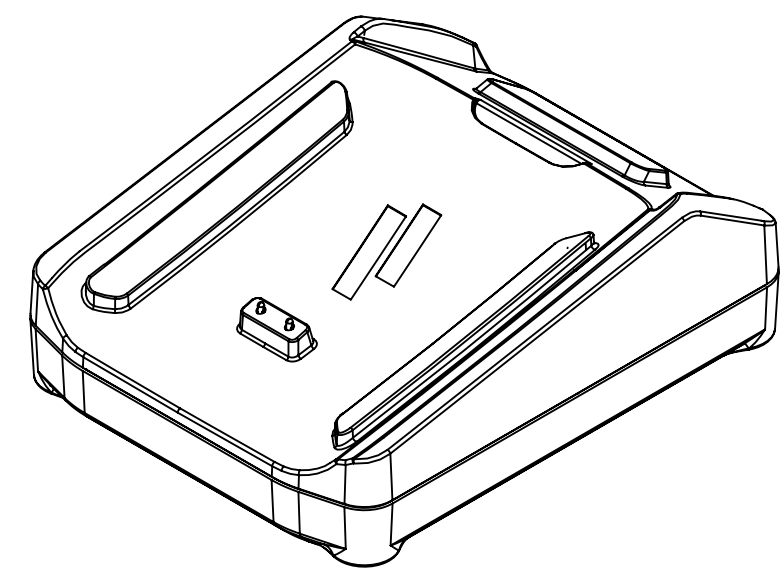
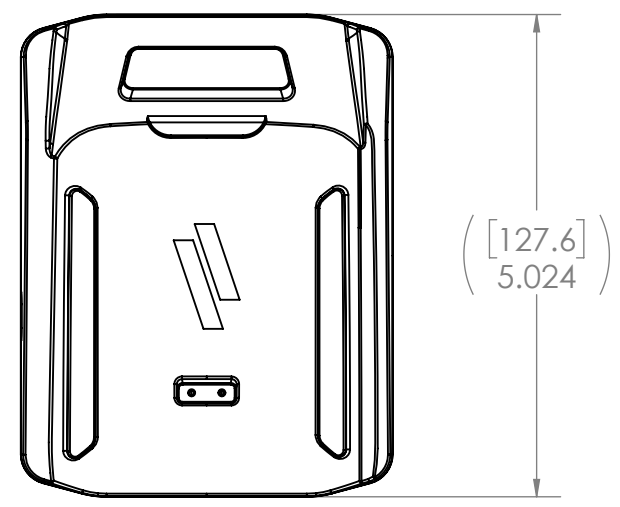


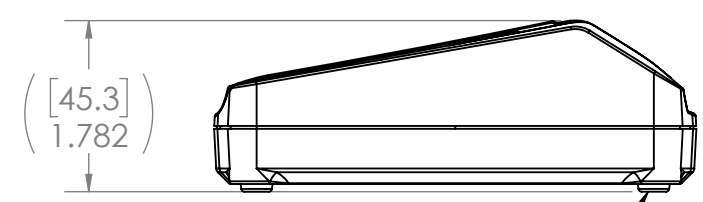
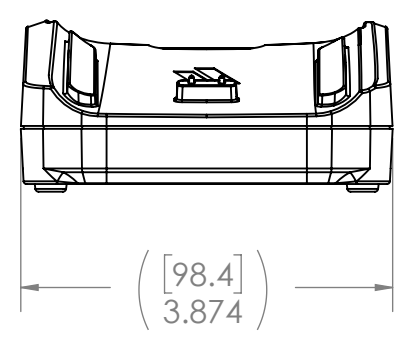
8 7 6 5 4 3 2 1

D
C
B
A

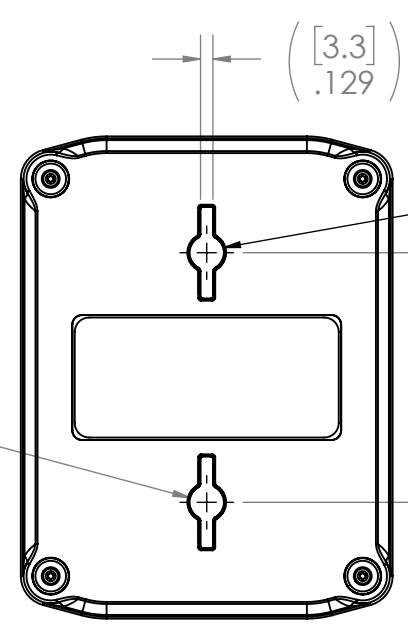
D
C
B
A



POWER INPUT
USB-C
POWER SUPPLY NOT INCLUDED
(SUPPLIED WITH DEVICE)



ANTI-SKID RUBBER FEET



FIXED MOUNTING FEATURES

PRODUCT INFORMATION
 INPUT: 5VDC, 2A, 10.0W
 TYPE 2 OR GREATER
 CAN BE USED ATTACHED WITH
 HAVIS PROTECTIVE CASE P/N 367-5876



DWG. NO. 367-6199-1	REV. A	TITLE SINGLE-BAY CHARGER INGENICO DX8000	 SHEET 1 OF 1
DRAWN J. BRANDT	DATE 8/15/2023		

REVISIONS				
REV	DESCRIPTION	DATE	BY	CHK'D
A	INITIAL RELEASE	02/01/24	JWB	

THE INFORMATION CONTAINED IN THIS DRAWING IS THE SOLE PROPERTY OF HAVIS, INC. AND REPRODUCTION IN PART OR IN WHOLE WITHOUT THE WRITTEN PERMISSION OF HAVIS, INC. IS PROHIBITED.

TECHNICAL INFORMATION

8 7 6 5 4 3 2 1