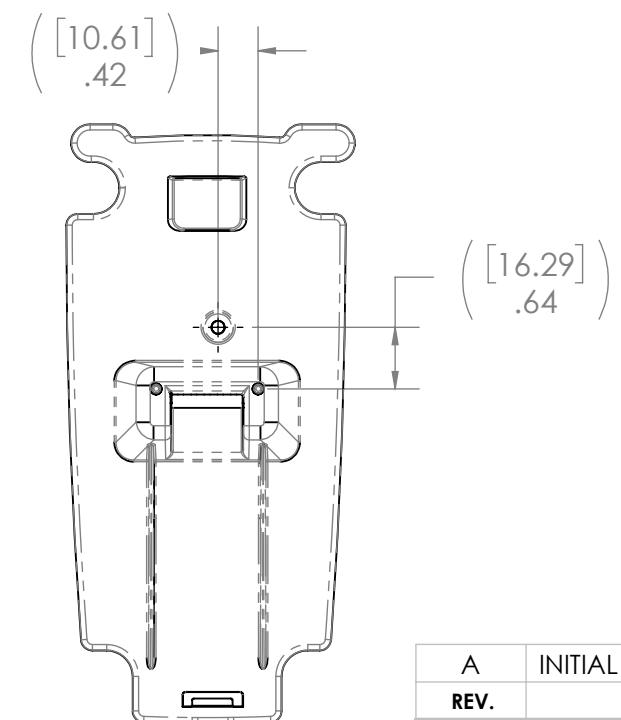
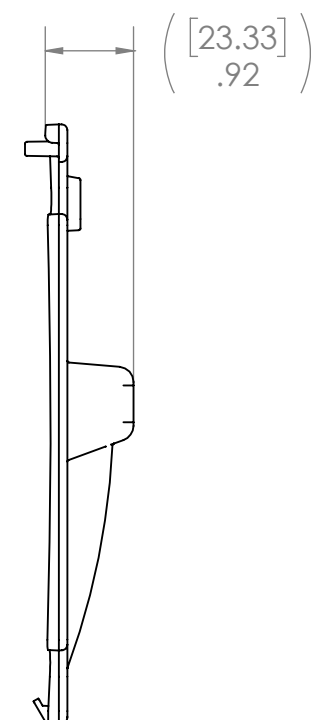
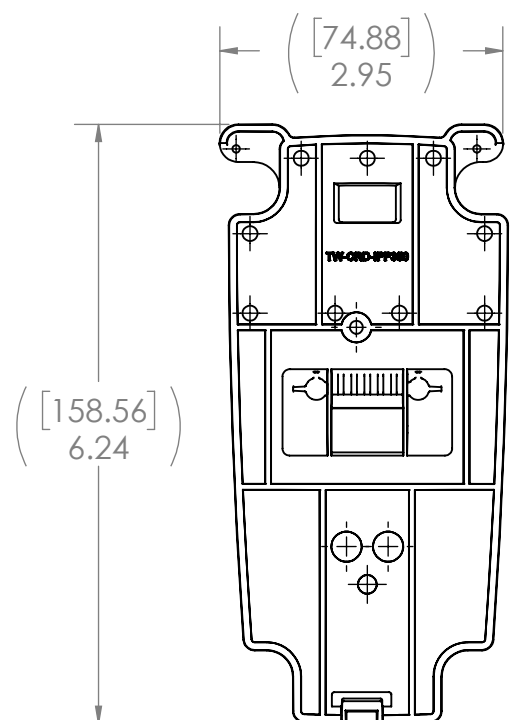
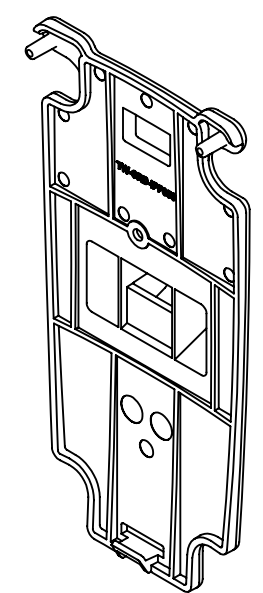


SHOWN WITH INGENICO IPP350



CUSTOMER VERIFICATION

REV.	DESCRIPTION	DATE	BY	CHK'D
A	INITIAL RELEASE	05/26/21	ARS	ARS
DRAWN A. SCHLEY				
DATE 05/26/21				
CUSTOMER APPROVAL (SIGNATURE REQUIRED):				
14451 Ewing Ave - Burnsville, MN 55306 952-767-1005				
TITLE BACKPLATE FOR INGENICO IPP320/350				
ALL DIMENSIONS ARE [mm]/INCHES		SIZE B		REV. A
DATE	DWG. NO.	CST00119a		SHEET 1 OF 1