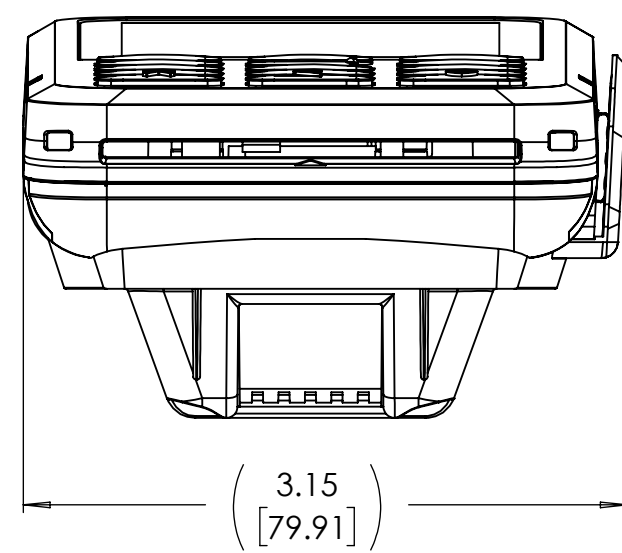
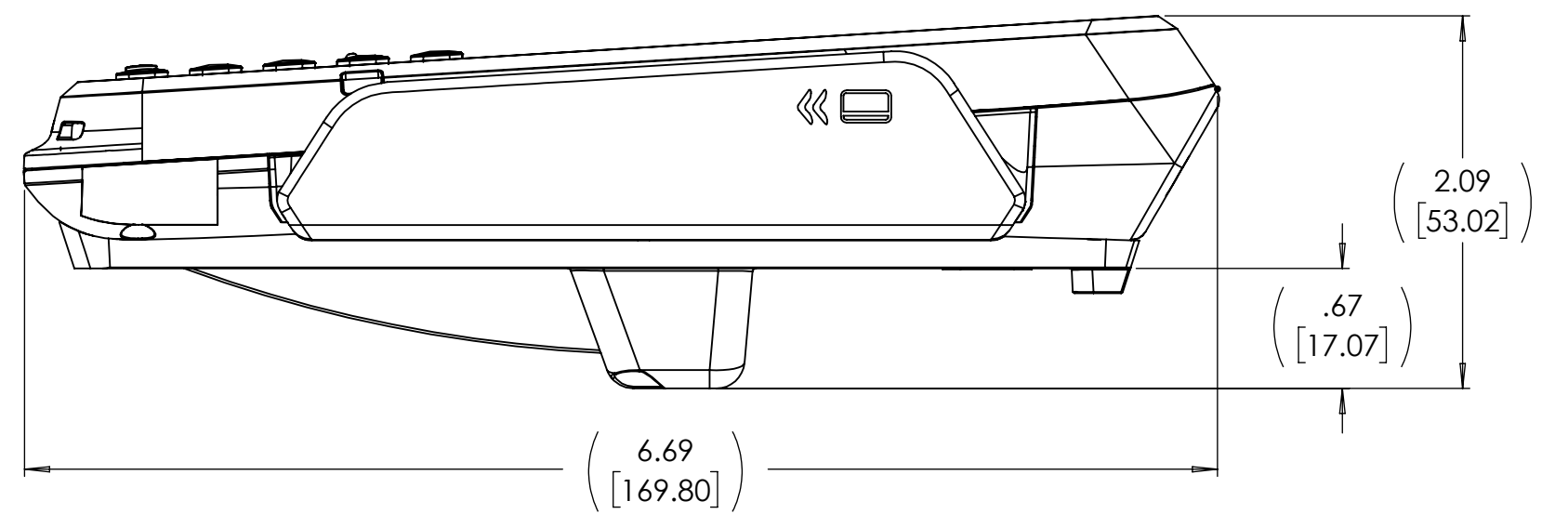


PARTS PROVIDED WITH CST00189

1. BACKPLATE (FITS VERIFONE P630 DEVICE)
2. 2X M3 X 6MM SCREWS ATTACH BACKPLATE TO DEVICE



**FRONT VIEW
BACKPLATE ASSEMBLY**




**SIDE VIEW
BACKPLATE ASSEMBLY**

NOTES:
1. DIMENSIONS SHOWN ARE [mm] / IN

THE INFORMATION CONTAINED IN THIS DRAWING IS THE SOLE PROPERTY OF HAVIS AND REPRODUCTION IN PART OR IN WHOLE WITHOUT THE WRITTEN PERMISSION OF HAVIS IS PROHIBITED.
ALL DIMENSIONS ARE IN INCHES UNLESS STATED OTHERWISE.

CUSTOMER VERIFICATION AND AUTHORIZATION

HAVIS

REV.	A	RELEASED FOR PROTOTYPE	04/14/21	AN	AN
		DESCRIPTION	DATE	BY	CHK'D
DRAWN	A. NORLING				
DATE	04/14/2021				
CUSTOMER APPROVAL (SIGNATURE REQUIRED):	 BACKPLATE, FOR VERIFONE P630				
DATE					
SIZE	C	DWG. NO.	CST00189	REV.	A
					SHEET 1 OF 1