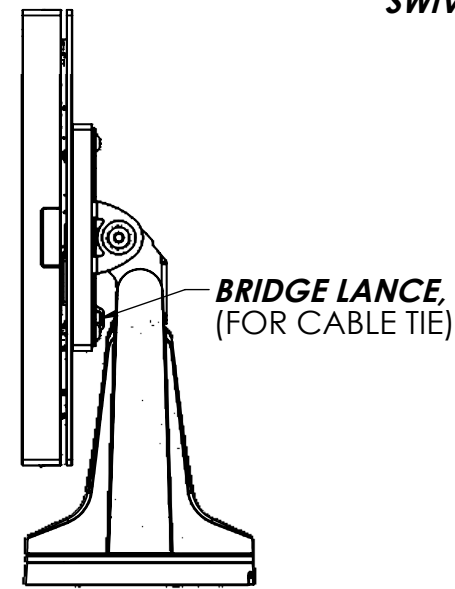
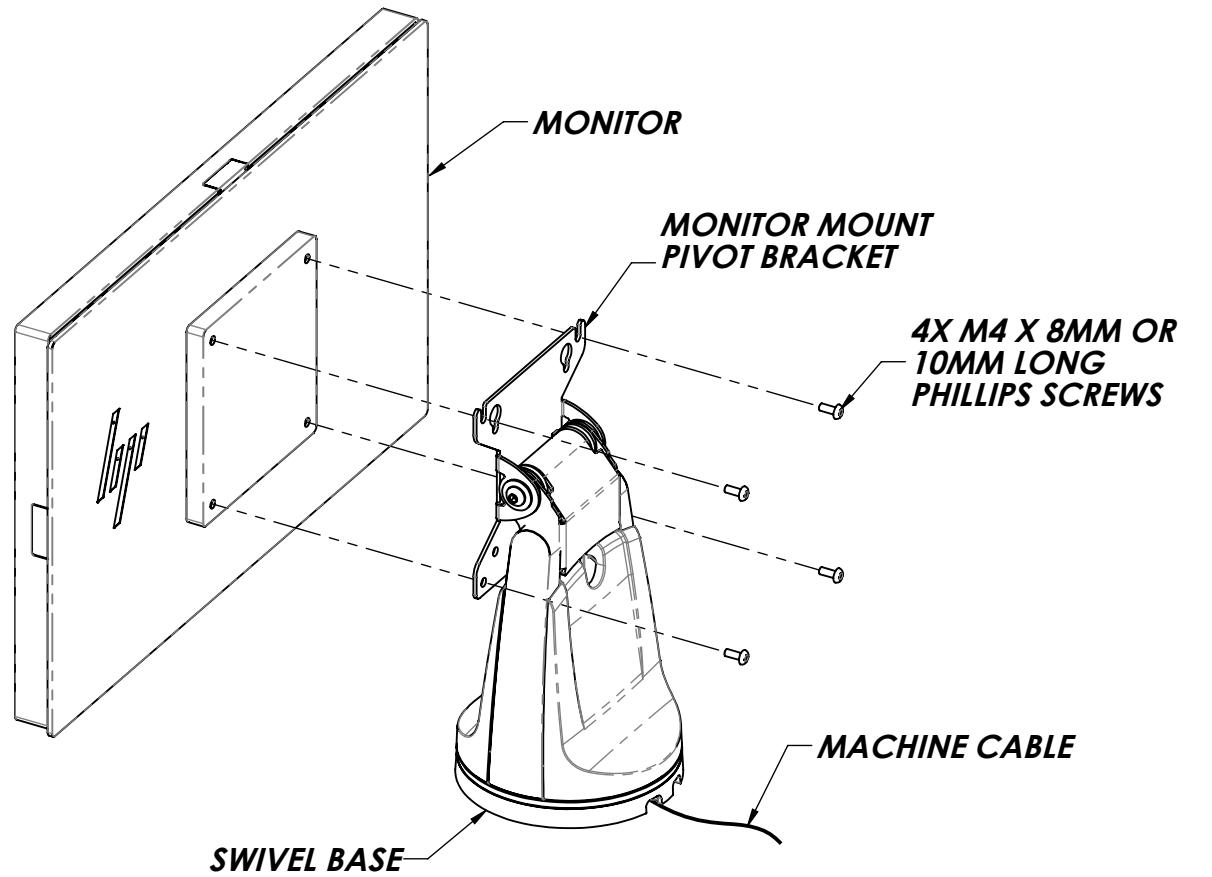
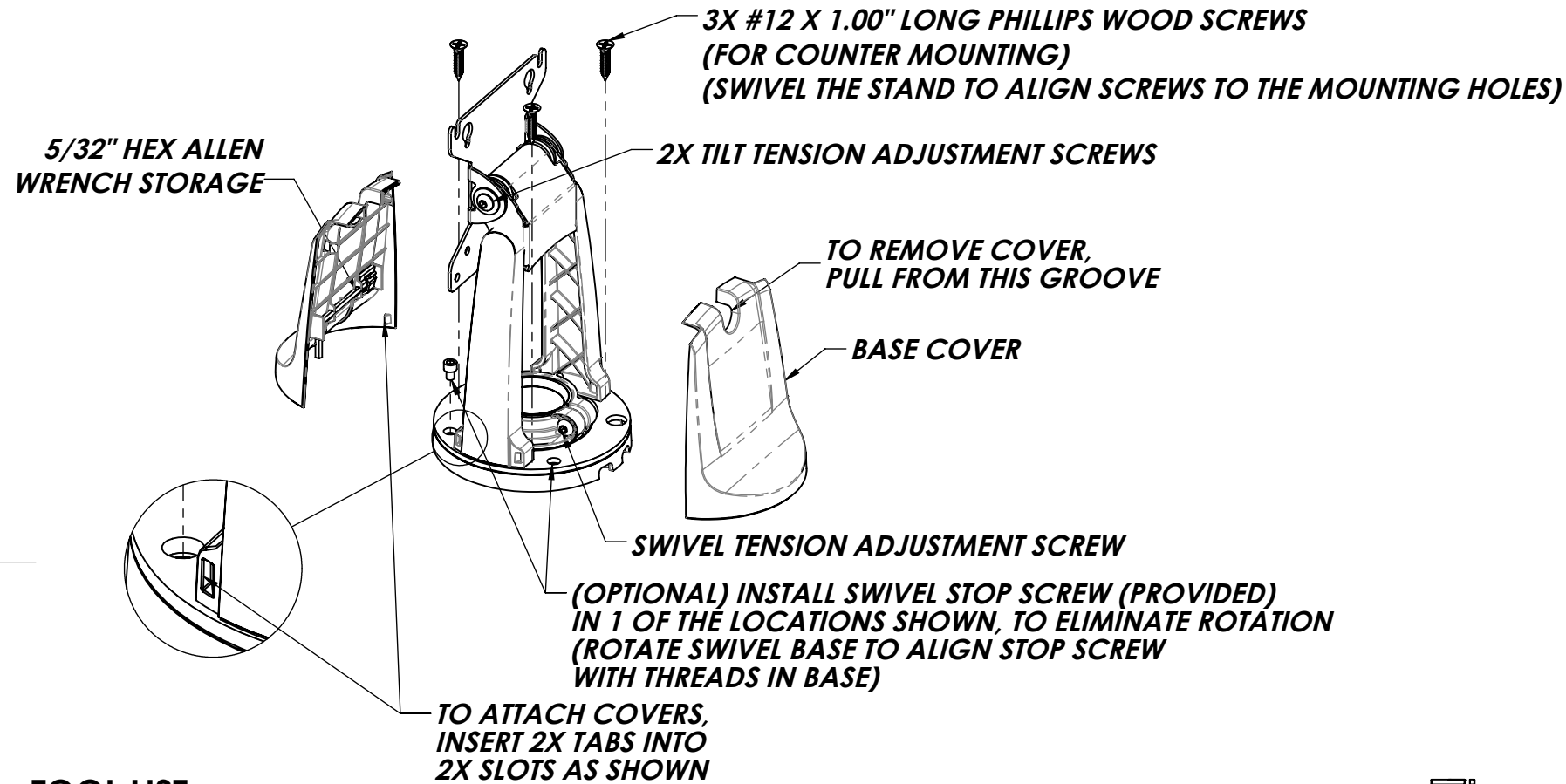


# INSTALLATION INSTRUCTIONS



**SIDE VIEW**

**TOOL LIST:**

- #2 PHILLIPS SCREW OR DRILL DRIVER.
- 3/32" DRILL BIT.
- OPTIONAL** 1 1/2" (1.50") HOLE SAW.

**ASSEMBLY STEPS:**

1. USING **SWIVEL BASE** AS A TEMPLATE, MARK AND DRILL 3X 3/32" HOLES FOR USE WITH **3X #12 X 1.00 PHILLIPS WOOD SCREWS**.
2. (OPTIONAL) DRILL A 1 1/2" (1.50") THROUGH HOLE INTO YOUR **COUNTER/WALL** FOR CABLE PASS THROUGH.
3. ATTACH **SWIVEL BASE** TO **COUNTER/WALL** USING **3X #12 X 1.00 PHILLIPS WOOD SCREWS** AS SHOWN.
4. INSTALL THE **CUSTOMER'S MONITOR** ONTO THE **MONITOR MOUNT PIVOT BRACKET** BY USING THE **4X M4 X 8MM LONG OR 10MM LONG PHILLIPS SCREWS**.
5. ROUTE **MONITOR CABLE** THROUGH BOTTOM AND OUT THE SLOT IN THE **SWIVEL BASE**. SECURE **MONITOR CABLE** TO **BRIDGE LANCE** BY USING A **CABLE TIE**. SEE **SIDE VIEW**.
6. TO ADJUST THE SWIVEL TENSION, ADJUST THE **SWIVEL TENSION ADJUSTMENT SCREW**.
7. ATTACH THE **2X BASE COVERS** TO THE **SWIVEL BASE** AS SHOWN.
8. **OPTIONAL:** TO ADJUST THE TILT TENSION, ADJUST THE **2X TILT TENSION ADJUSTMENT SCREWS** BY USING A 5/32" HEX ALLEN WRENCH (PROVIDED INSIDE BASE COVER). **SEE SHEET 2 TO INSTALLATION OF CABLE GROMMET**

DWG. NO. DM-10-111	REV. A	TITLE
DRAWN S. YANG	DATE 2/14/2022	

DISPLAY MOUNT,  
SINGLE VESA  
HEAVY DUTY



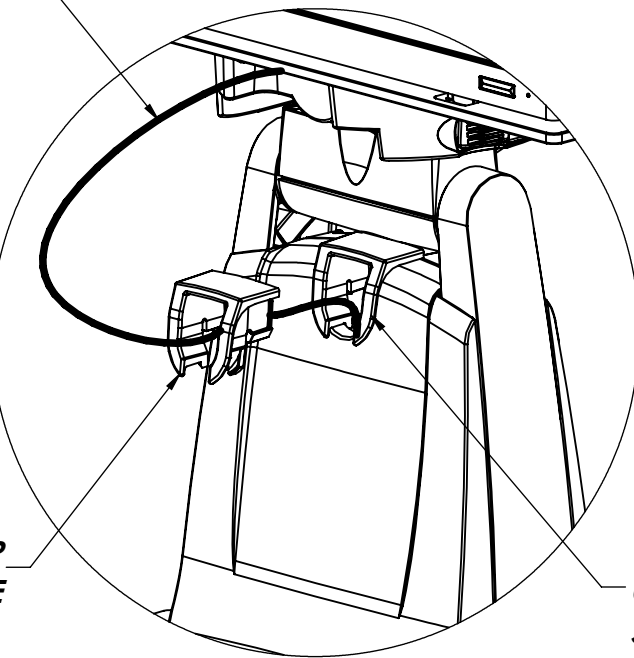
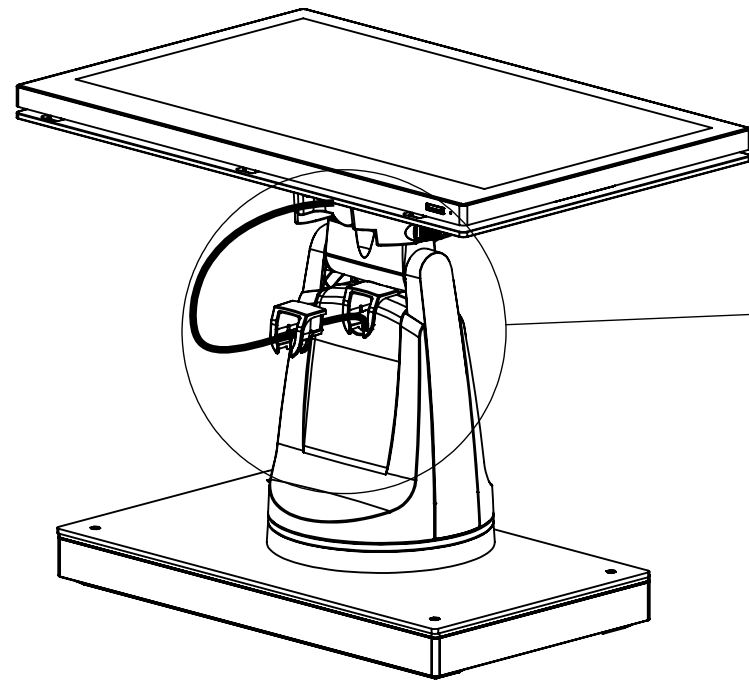
SHEET 1 OF 2

A		02/14/22	SY
REV.	DESCRIPTION	DATE	BY

**CUSTOMER INSTRUCTIONS**

# INSTALLATION INSTRUCTIONS

*DEVICE CABLE,  
CREATEA PROPER SERVICE LOOP  
TO PREVENT CABLE DAMAGE*



*SLIDE CABLE CLIP  
OVER DEVICE CABLE*

*CABLE CLIP SNAPS INTO  
SWIVEL BASE COVER*

**INSTALLATION VIEW**



**INSTALLED VIEW**

DWG. NO.  
DM-10-111

REV.  
A

TITLE

DISPLAY MOUNT,  
SINGLE VESA  
HEAVY DUTY

DRAWN  
S. YANG

DATE  
2/14/2022

SHEET 2 OF 2



**CUSTOMER INSTRUCTIONS**