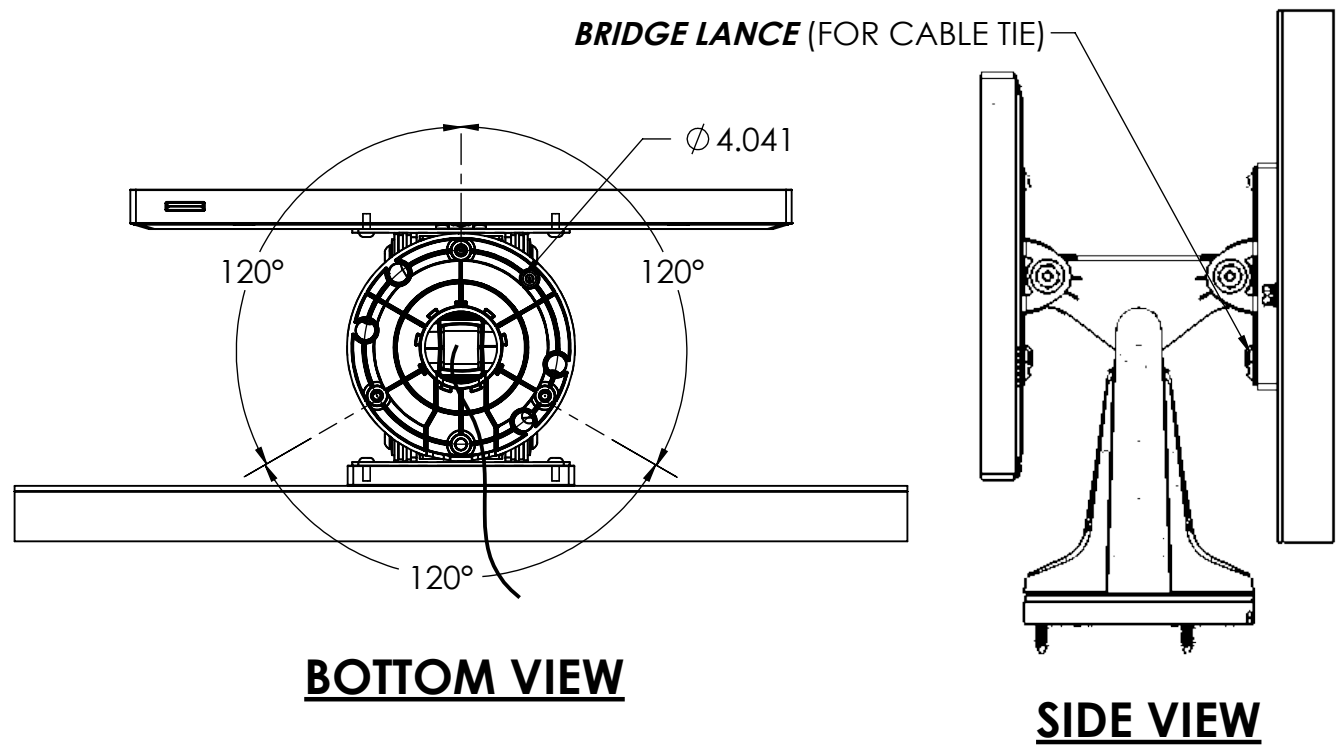


TOOL LIST:

1. #2 PHILLIPS SCREW DRIVER.
2. 2.5MM HEX ALLEN WRENCH.
3. OPTIONAL: 1-1/2" HOLE SAW.

ASSEMBLY STEPS:

1. USING **SWIVEL BASE** AS A TEMPLATE, MARK AND DRILL 3X 3/32" HOLES FOR USE WITH **3X #12 X 1.00 PHILLIPS FLAT HEAD SCREWS**.
2. (OPTIONAL) DRILL A 1 1/2" (1.50") THROUGH HOLE INTO YOUR **COUNTER/WALL** FOR CABLE PASS THROUGH.
3. INSTALL THE **CUSTOMER'S MONITORS** ONTO THE **MONITOR MOUNT PIVOT BRACKETS** BY USING THE **8X M4 X 8MM LONG** OR **10MM LONG PHILLIPS SCREWS**.
4. ROUTE **MONITOR CABLES** THROUGH BOTTOM AND OUT THE SLOT IN THE **SWIVEL BASE**. SECURE **MONITOR CABLES** TO **BRIDGE LANCE** BY USING A **CABLE TIE**. SEE **SIDE VIEW**.
5. TO ADJUST THE SWIVEL TENSION, ADJUST THE **SWIVEL TENSION ADJUSTMENT SCREW**.
6. ATTACH THE **2X BASE COVERS** TO THE **SWIVEL BASE** AS SHOWN.
7. OPTIONAL: TO ADJUST THE TILT TENSION IF NEEDED, ADJUST THE **4X TILT TENSION ADJUSTMENT SCREWS** BY USING A 5/32" HEX ALLEN WRENCH (PROVIDED).



DWG. NO. DM-10-211	REV. A	TITLE
DRAWN S. YANG	DATE 2/14/2022	

DISPLAY MOUNT,
DUAL VESA,
HEAVY DUTY



SHEET 1 OF 1

CUSTOMER INSTRUCTIONS