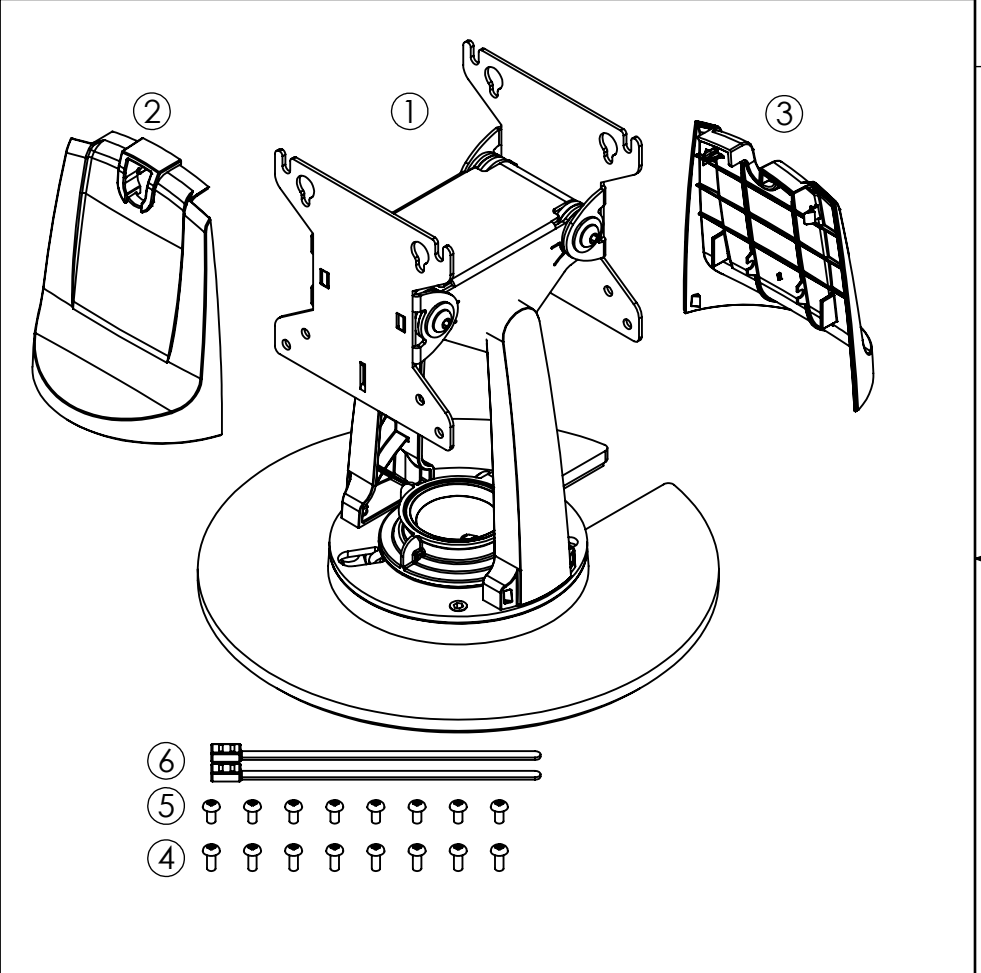


**MAXIMUM LOAD: 18 LBS. [8.2 KG] PER DISPLAY**  
**MAXIMUM DISPLAY THICKNESS: 2.00" [50.8MM]**



- DM-10-212 INCLUDES:**
1. FREE STANDING BASE WITH DUAL DISPLAY MOUNT
  2. FRONT COVER WITH GROMMET
  3. REAR COVER
  4. 8X M4 X 10MM PHILLIPS SCREWS
  5. 8X M4 X 8MM PHILLIPS SCREWS
  6. 2X CABLE TIES

CUSTOMER APPROVAL  
(SIGNATURE REQUIRED):

DWG. NO.  
**DM-10-212**

REV.  
**A**

DRAWN  
**S. YANG**

DATE  
**2/14/2022**

TITLE  
**DISPLAY MOUNT,  
DUAL VESA, HEAVY DUTY,  
FREE STANDING BASE**

**HAVIS**

SHEET 1 OF 1

REVISIONS				
REV	DESCRIPTION	DATE	BY	CHK'D
A	INITIAL RELEASE	02/14/2022	SY	

**TECHNICAL INFORMATION**