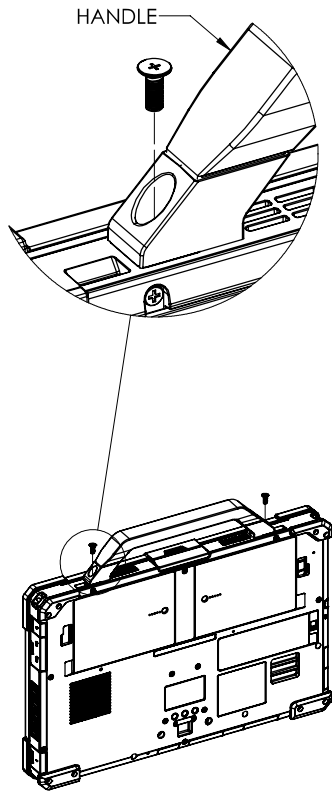
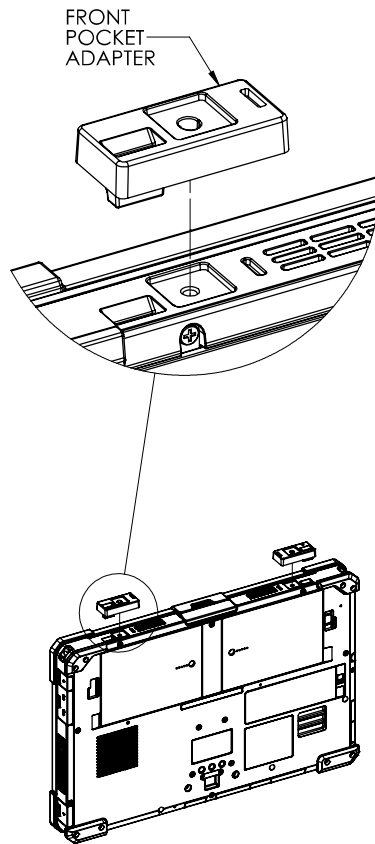


## INSTALLATION INSTRUCTIONS (WITH HANDLE):

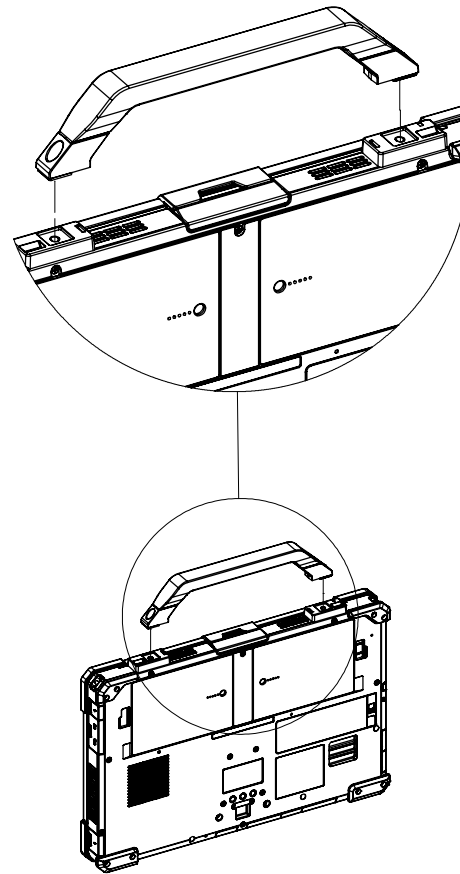
**STEP 1:** Place the computer on a flat surface with the handle facing up. Use a PH2 drive to unscrew the two fasteners of the handle. Then put away the fasteners.



**STEP 2:** Align both Front Pocket Adapters to the computer, as shown. Then insert into position.



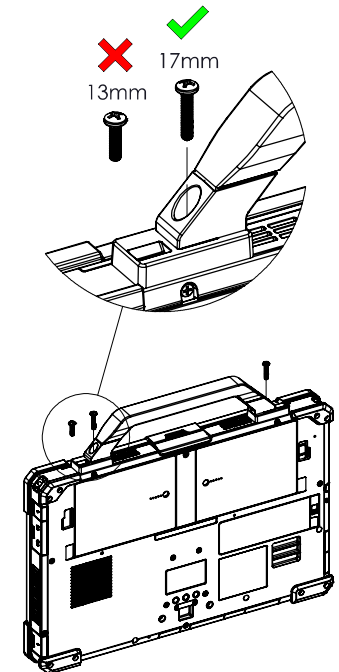
**STEP 3:** Align handle to the computer, as shown. Then insert into position.



### **WARNING**

ENSURE CORRECT SCREW LENGTH IS USED FOR THIS STEP. OTHERWISE, DAMAGE TO COMPUTER WILL OCCUR.

**STEP 4:** Fasten handle at both ends using the supplied 17mm screws.



### HARDWARE KIT CONTENTS:

ITEM #	QTY.	DESCRIPTION	DRIVE STYLE
1	2	MACHINE SCREW, PAN HEAD, M3.5 X 0.6MM X 17MM	PH2
2	2	MACHINE SCREW, PAN HEAD, M3.5 X 0.6MM X 13MM	PH2

**WARNING:** ALL HAVIS INC. PRODUCTS ARE DESIGNED WITH SAFETY OF USE AND INSTALLATION IN MIND. HOWEVER, IT IS THE SOLE RESPONSIBILITY OF THE OWNER/OPERATOR OF A VEHICLE USING HAVIS INC. MOUNTING AND DOCKING EQUIPMENT, TO INSURE THAT THE EQUIPMENT IS INSTALLED SO THAT IT WILL NOT INTERFERE WITH VEHICLE OPERATION, INTERFERE WITH SAFETY DEVICES, OBSTRUCT VIEW OF DRIVING CONDITIONS, OR IN ANY WAY DEGRADE OCCUPANT SAFETY. IMPROPER INSTALLATION CAN CAUSE SERIOUS INJURY IN THE EVENT OF AN ACCIDENT. INSTALLATION SHOULD ONLY BE PERFORMED BY QUALIFIED PROFESSIONALS. COMPUTERS AND MOTION DEVICES MUST BE MOVED TO AND STOWED/SECURED IN THEIR SAFE DRIVING POSITIONS BEFORE OPERATING VEHICLE.

DRAWING NO.

**DS-DA-113\_INST**

PRODUCT DESCRIPTION

**RETRO FIT KIT FOR DELL  
LATITUDE RUGGED  
COMPUTERS 5430 & 7330**

**HAVIS**

1-800-524-9900  
WWW.HAVIS.COM

WEIGHT: (LBS)

**0.03**

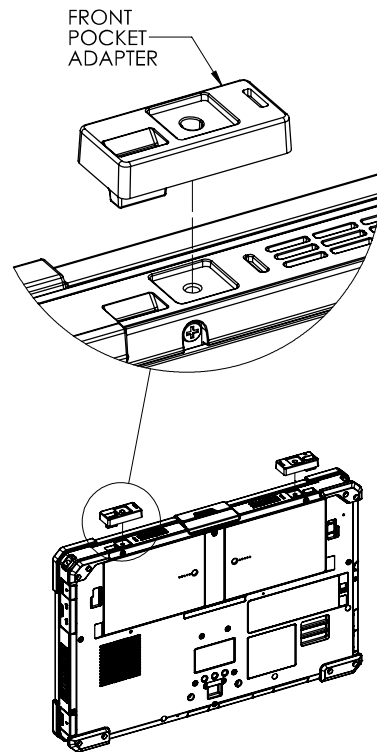
REV. DATE

**1-25-24**

F-730-019 REV B

## INSTALLATION INSTRUCTIONS (NO HANDLE):

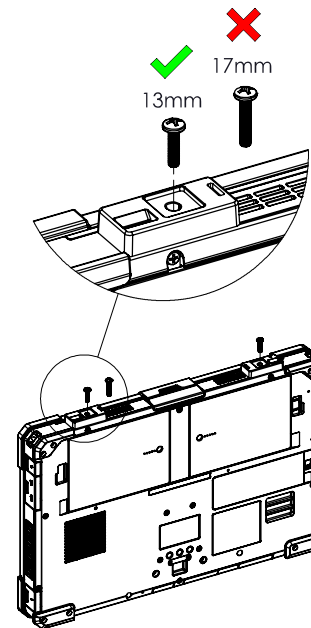
**STEP 1:** Align both Front Pocket Adapters to the computer, as shown. Then insert into position.



### **WARNING**

ENSURE CORRECT SCREW LENGTH IS USED FOR THIS STEP. OTHERWISE, DAMAGE TO COMPUTER WILL OCCUR.

**STEP 2:** Fasten both Front Pocket Adapters using the supplied 13mm screws.



### HARDWARE KIT CONTENTS:

ITEM #	QTY.	DESCRIPTION	DRIVE STYLE
1	2	MACHINE SCREW, PAN HEAD, M3.5 X 0.6MM X 17MM	PH2
2	2	MACHINE SCREW, PAN HEAD, M3.5 X 0.6MM X 13MM	PH2

**WARNING:** ALL HAVIS INC. PRODUCTS ARE DESIGNED WITH SAFETY OF USE AND INSTALLATION IN MIND. HOWEVER, IT IS THE SOLE RESPONSIBILITY OF THE OWNER/OPERATOR OF A VEHICLE USING HAVIS INC. MOUNTING AND DOCKING EQUIPMENT, TO INSURE THAT THE EQUIPMENT IS INSTALLED SO THAT IT WILL NOT INTERFERE WITH VEHICLE OPERATION, INTERFERE WITH SAFETY DEVICES, OBSTRUCT VIEW OF DRIVING CONDITIONS, OR IN ANY WAY DEGRADE OCCUPANT SAFETY. IMPROPER INSTALLATION CAN CAUSE SERIOUS INJURY IN THE EVENT OF AN ACCIDENT. INSTALLATION SHOULD ONLY BE PERFORMED BY QUALIFIED PROFESSIONALS. COMPUTERS AND MOTION DEVICES MUST BE MOVED TO AND STOWED/SECURED IN THEIR SAFE DRIVING POSITIONS BEFORE OPERATING VEHICLE.

DRAWING NO.

**DS-DA-113\_INST**

PRODUCT DESCRIPTION

**RETRO FIT KIT FOR DELL  
LATITUDE RUGGED  
COMPUTERS 5430 & 7330**

**HAVIS**

1-800-524-9900  
WWW.HAVIS.COM

WEIGHT: (LBS)

**0.03**

REV. DATE

**1-25-24**

F-730-019 REV B