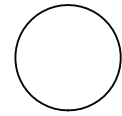
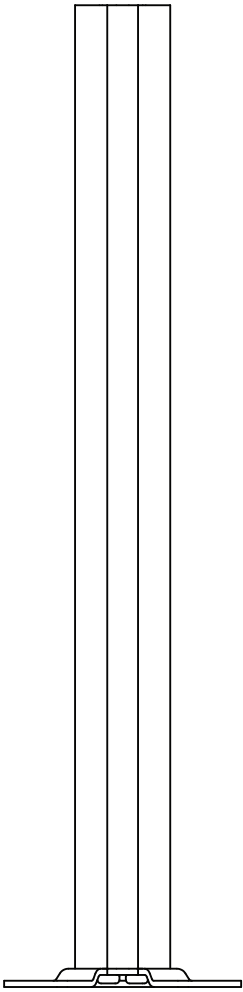
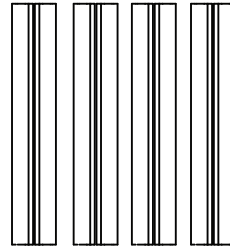


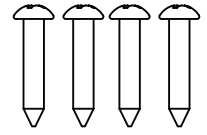
**HAVIS, INC MM-10-116 & MM-10-124 PARTS
INCLUDED IN POLE INSTALLATION**



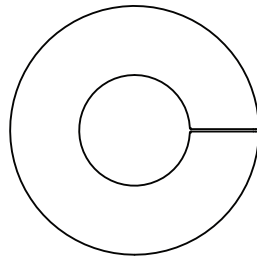
Pole Cap



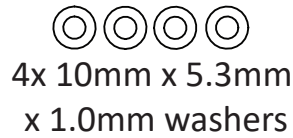
Cable Covers
(See Chart Below)



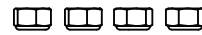
4x #10 x 1.0"
Phillip Screws



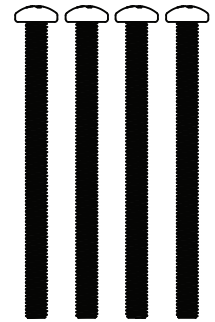
Base Cover



4x 10mm x 5.3mm
x 1.0mm washers



4x M5 Nylock Nuts

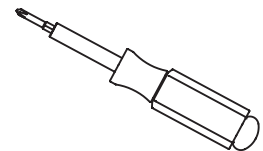
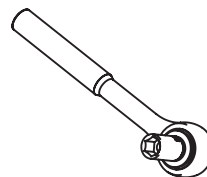
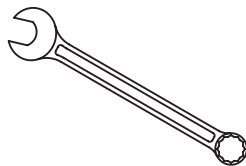
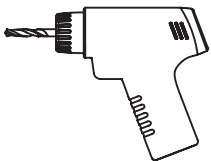


4x M5 x 70mm
Phillip Screws

16" or 24"
Pole and Base Plate

Pole Product Number (Height)	Cable Covers - Lengths and Quantities Provided					
	2" (5.1cm)	4" (10.2cm)	12" (30.5cm)	16" (40.6cm)	18" (45.7cm)	24" (61 cm)
MM-10-116 (16" Pole)	0	6	2	3	0	0
MM-10-124 (24" Pole)	4	9	0	0	2	3

Tools Required:



HAVIS, INC MM-10-116 & MM-10-124 POLE & BASE INSTALLATION

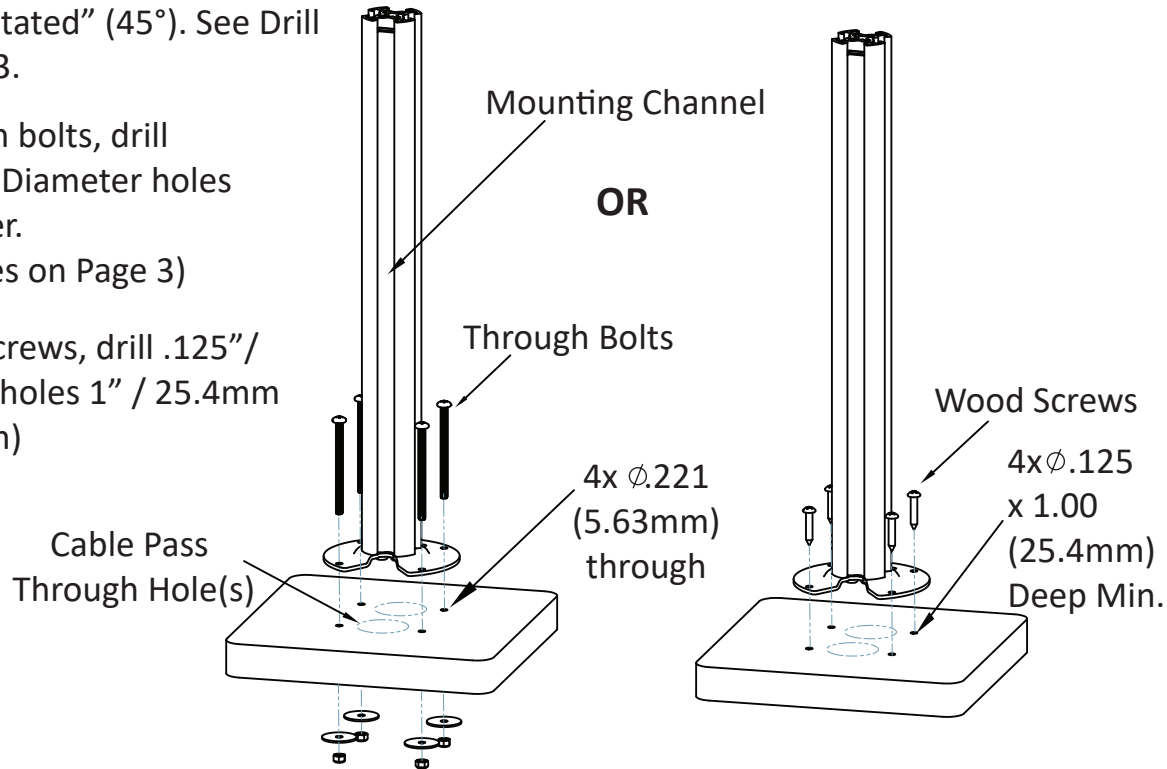


Tools Required:
M5 Wrench or Socket Wrench
#2 Phillips Screwdriver

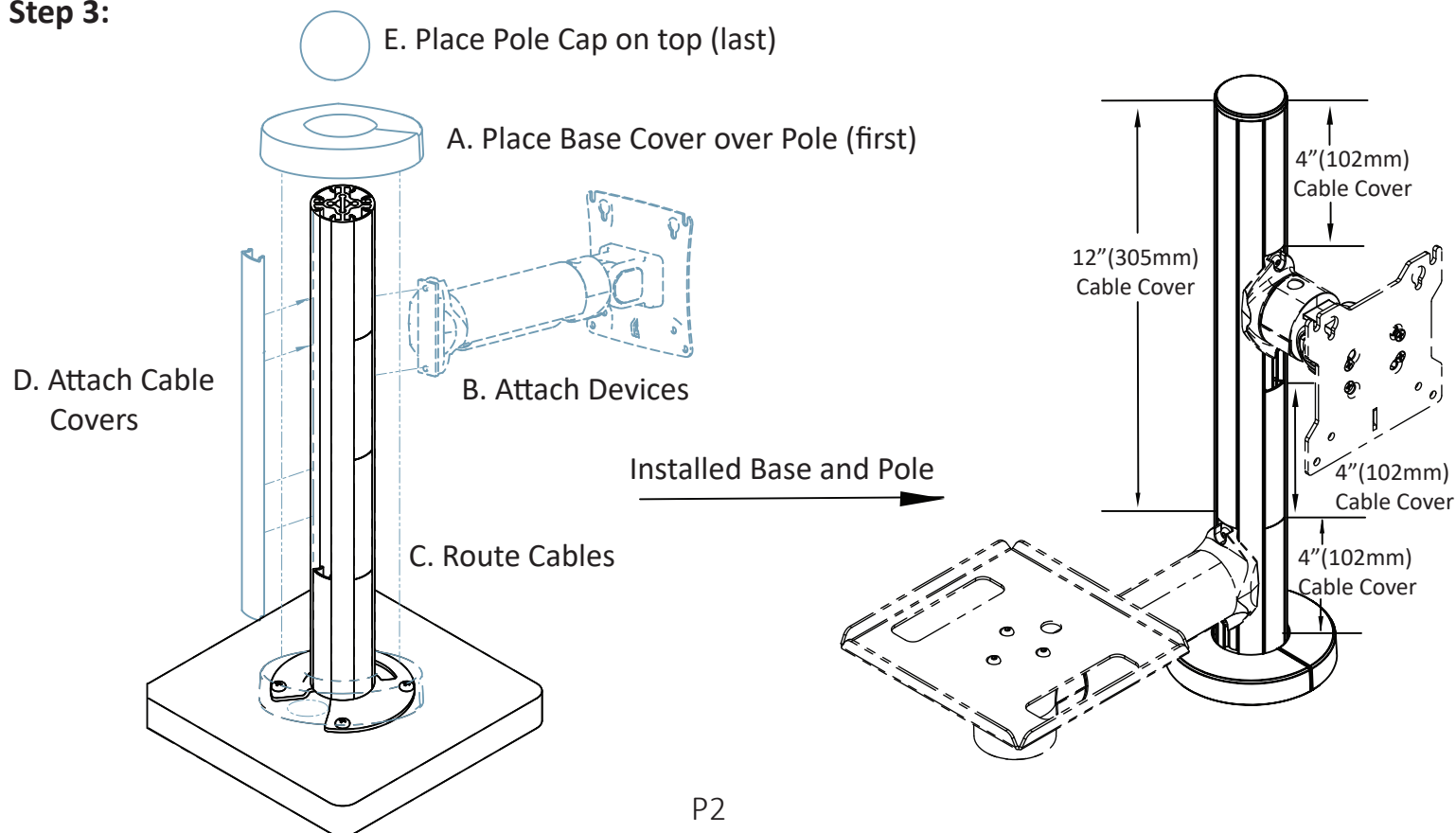
Step 1: Determine if you want the Mounting Channels in your Pole oriented "Straight" (front/back/left/right) or "Rotated" (45°). See Drill Guides on page 3.

Step 2A: If using through bolts, drill .221"/5.63mm Diameter holes through counter.
(See Drill Guides on Page 3)

Step 2B: If using wood screws, drill .125"/3.175mm pilot holes 1" / 25.4mm deep (minimum)



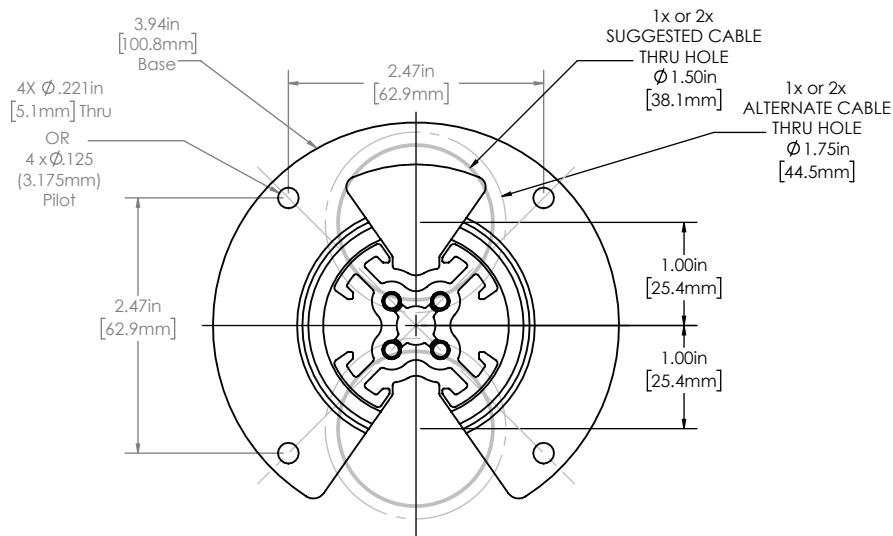
Step 3:



HAVIS, INC MM-10-116 & MM-10-124
POLE & BASE INSTALLATION

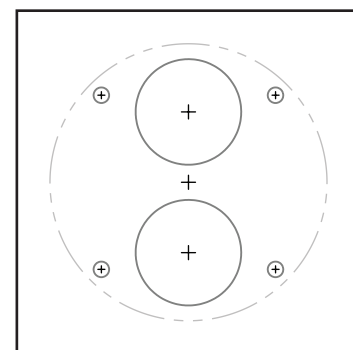
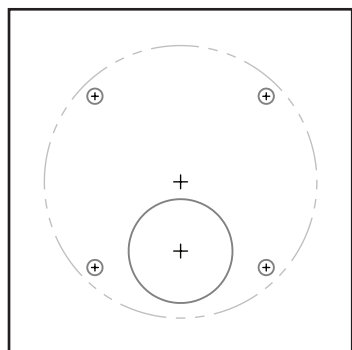


CUSTOMER

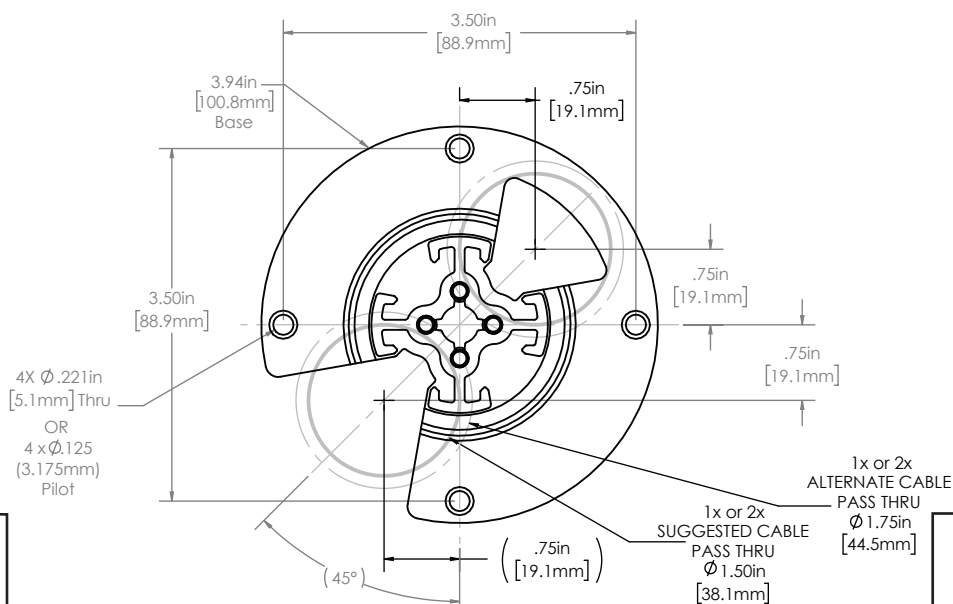


ASSOCIATE

Straight Pole
Drill Guide



CUSTOMER



ASSOCIATE

Rotated Pole
Drill Guide

