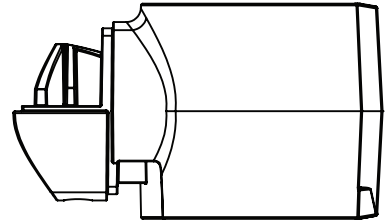
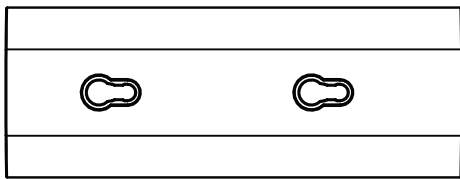


MM-10-202 Collar Arm

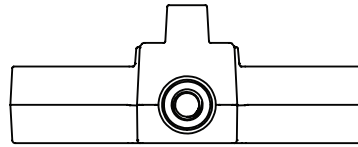
OR



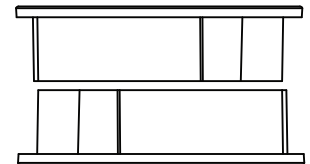
MM-10-201 Collar Mount



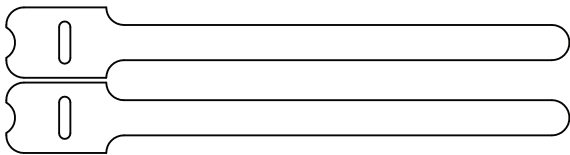
Arm Cable Cover



Stop Ring



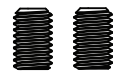
Bushings



2 x 8" Cable Ties



2.5 mm Hex Wrench



2x M5 x 8mm
Socket Set Screws

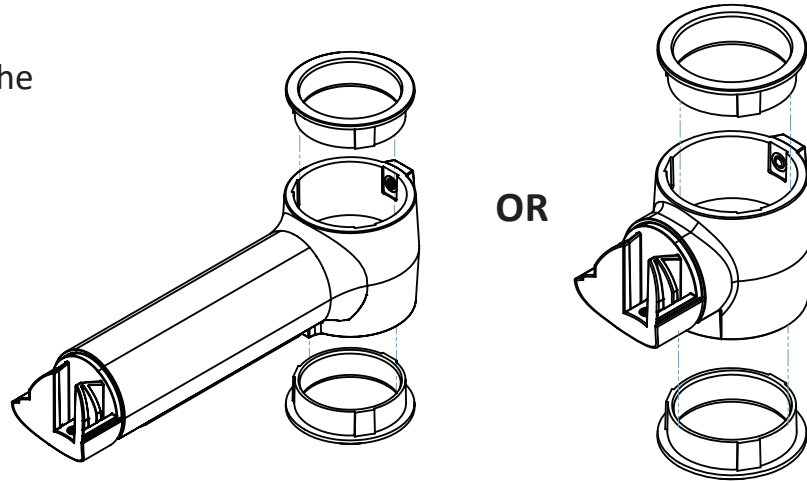
HAVIS, INC MM-10-201 & MM-10-202 Instructions

COLLAR MOUNT INSTALLATION

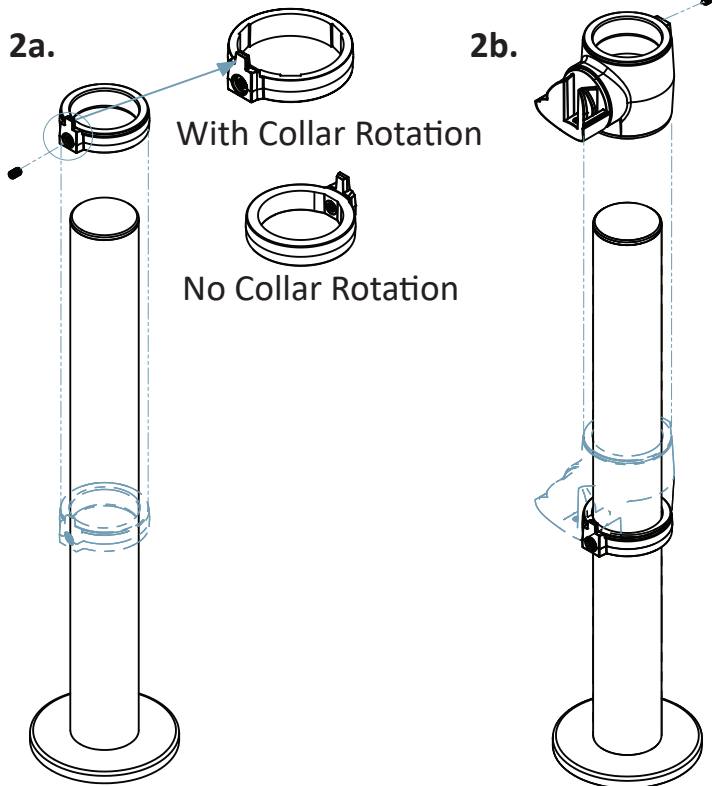


Tool Required:
2.5mm Hex Wrench (Provided)

Step 1: Press Bushings into the Collar



Step 2: Attach lowest Collar first



Step 3: Collar Arm Only

