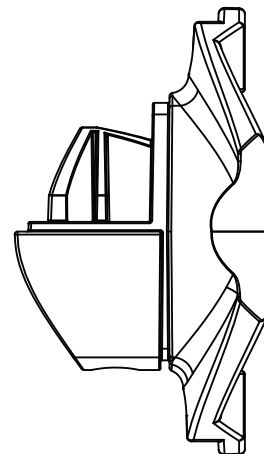
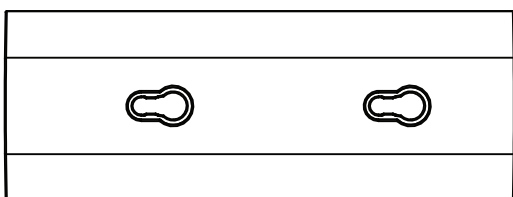


Channel Arm  
MM-10-204

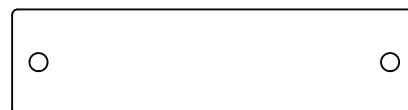
OR



Channel Mount  
MM-10-203



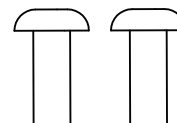
Arm Cable Cover



Channel Clamping Plate



2.5 mm Hex Wrench



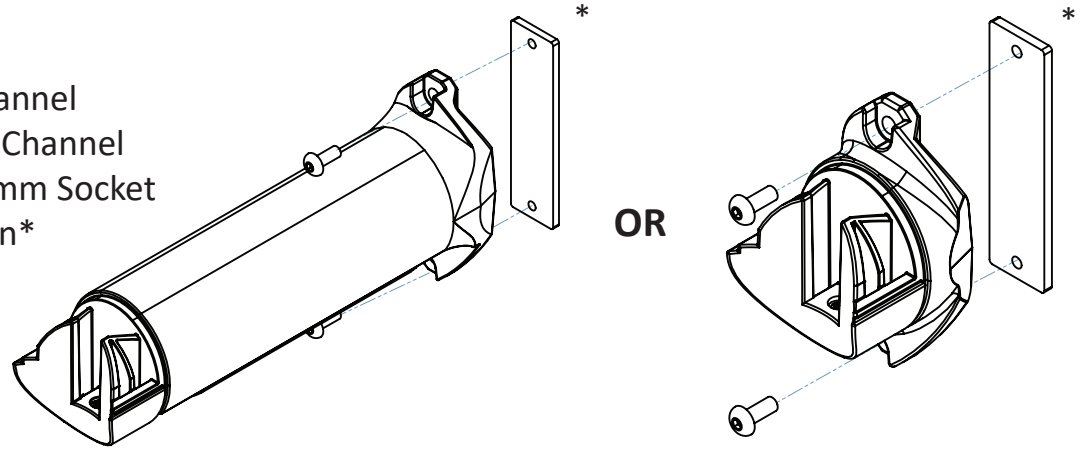
2x M4 x 10mm  
Socket Head Screws

# HAVIS, INC MM-10-203 & MM-10-204 CHANNEL MOUNT INSTALLATION



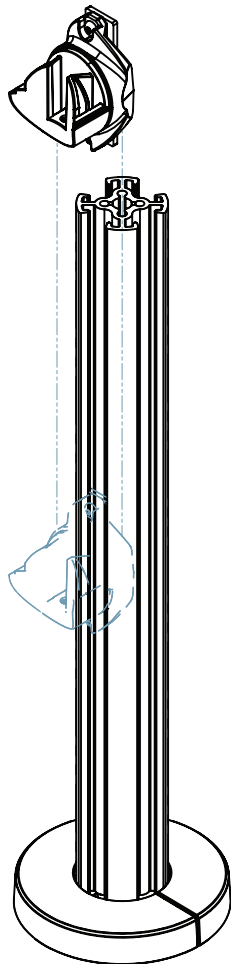
*Tool Required:*  
2.5mm Hex Wrench (Provided)

**Step 1:** Loosely attach the Channel Clamping Plate to the Channel Mount using M4 x 10mm Socket Head Screws as shown\*



\*Note: Install lower device mounts on the same side of pole first. To add a lower Channel Mount or Arm on an adjacent side of the pole, slide the Clamping Plate into the Pole Channel first and then attach the channel Mount or Arm

**Step 2:** Attach lowest Channel Mounts first



**Step 3:** Channel Arm only

