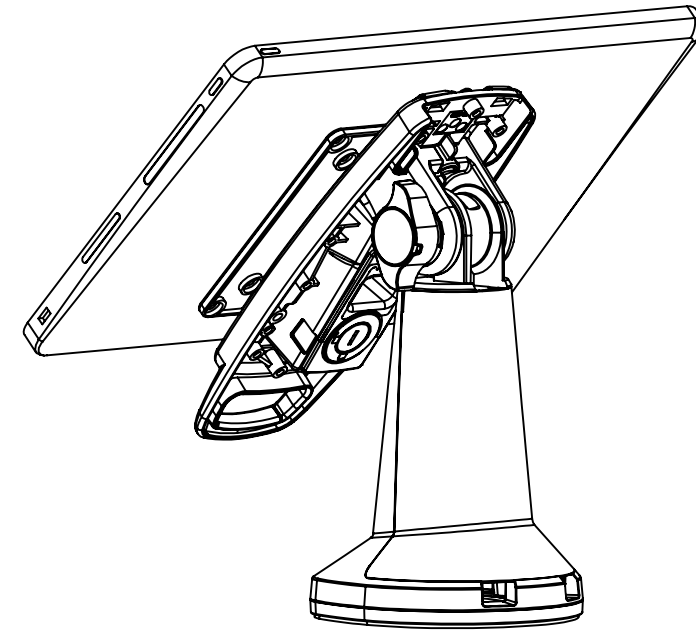
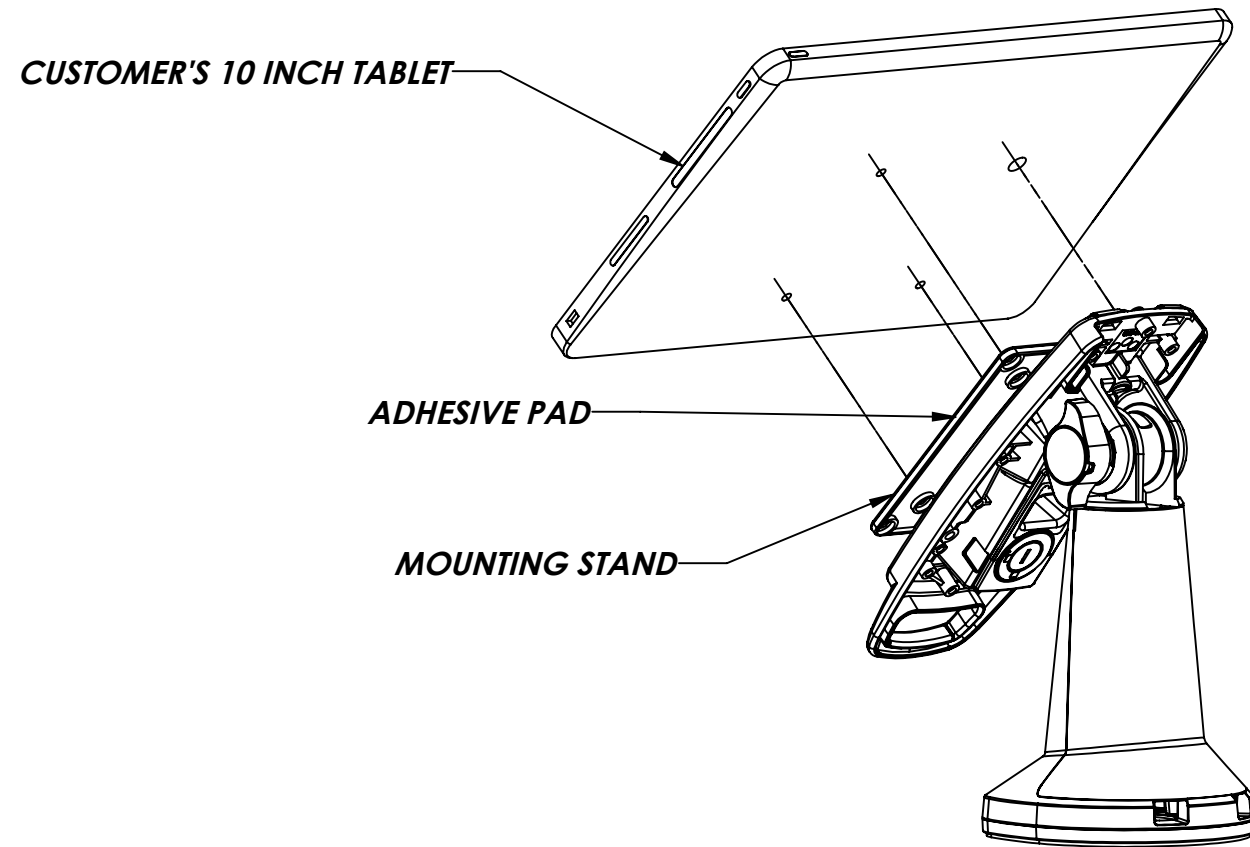


INSTALLATION INSTRUCTIONS



ASSEMBLY STEPS:

1. REMOVE PAPER BACKER FROM GLUE PAD UNDER FROM **MOUNTING STAND** AND ATTACH THE **CUSTOMER'S 10 INCH TABLET** UNTO THE **MOUNTING STAND** AS SHOWN.
2. ROUTE THE **DEVICE CABLE**.

CUSTOMER INSTRUCTIONS

REV.	DESCRIPTION	DATE	BY	CHK'D
A	INITIAL RELEASE	06/02/21	JVT	JVT
DRAWN J. TERVEER				
DATE 6/2/2021				
CUSTOMER APPROVAL (SIGNATURE REQUIRED):		14451 Ewing Ave - Burnsville, MN 55306 952-767-1005		
ALL DIMENSIONS ARE IN INCHES		TITLE FLEXPOLE TAB LOCKING		
DATE	SIZE B	DWG. NO. TAB20121	REV. A	
				SHEET 1 OF 1