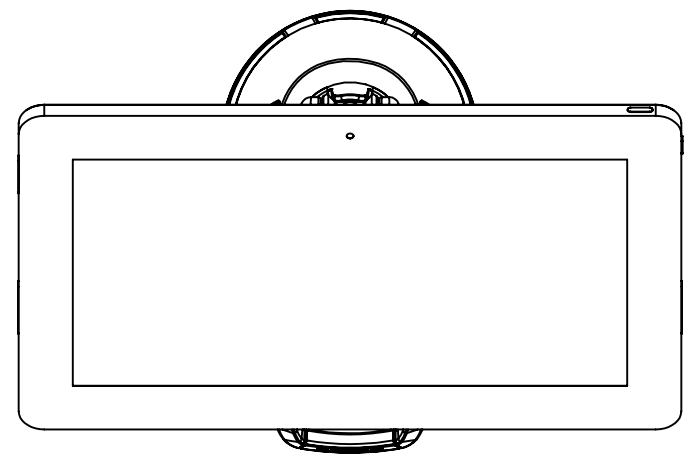
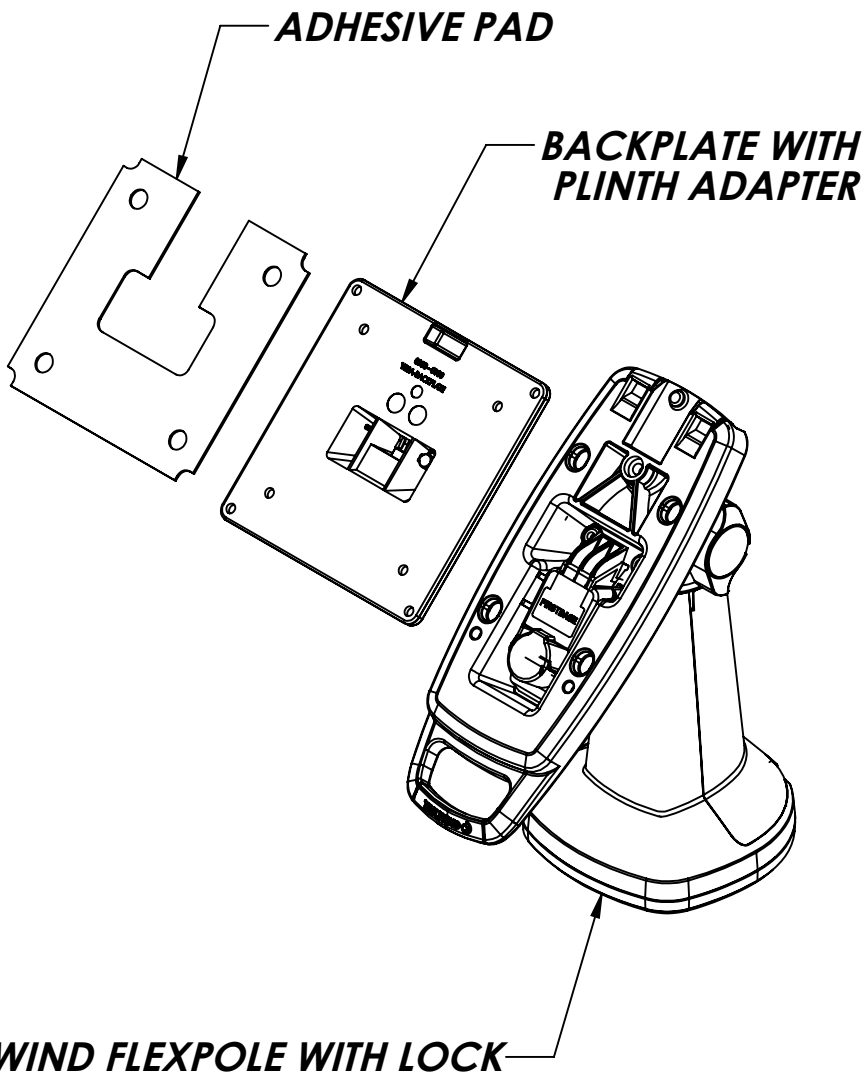


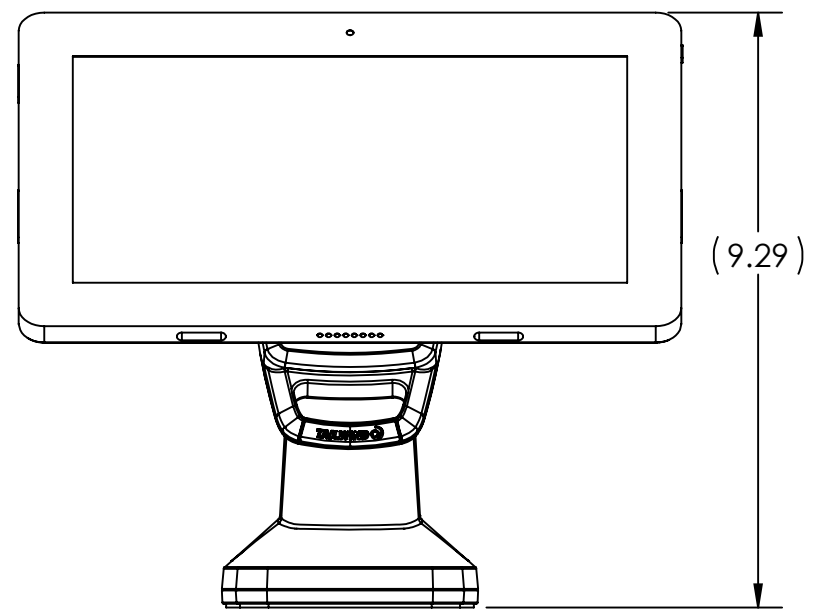
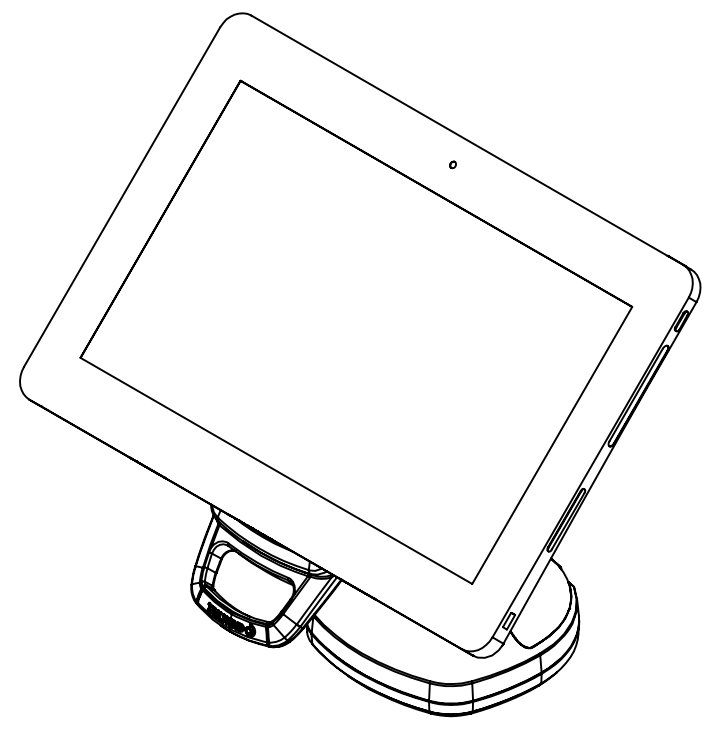
8 7 6 5 4 3 2 1

D
C
B
A

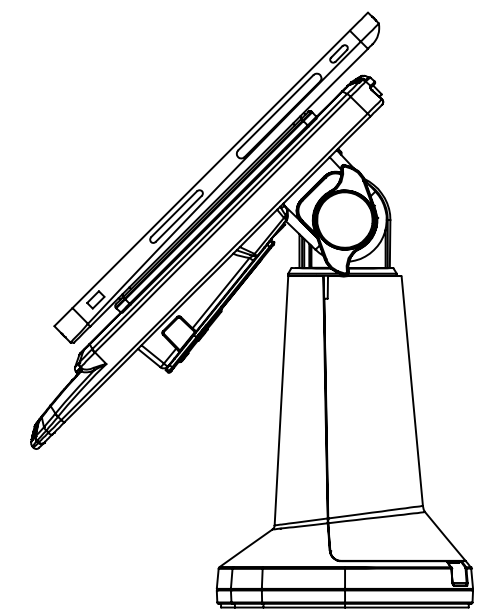
D
C
B
A



TOP VIEW



FRONT VIEW




SIDE VIEW

TAILWIND FLEXPOLE WITH LOCK

ADHESIVE PAD

BACKPLATE WITH PLINTH ADAPTER

CUSTOMER VERIFICATION

REV.	DESCRIPTION	DATE	BY	CHK'D
A	INITIAL RELEASE	06/02/21	JVT	
DRAWN J. TERVEER		 14451 Ewing Ave - Burnsville, MN 55306 952-767-1005		
DATE 6/2/2021				
CUSTOMER APPROVAL (SIGNATURE REQUIRED):		TITLE FLEXPole TAB LOCKING		
ALL DIMENSIONS ARE IN INCHES		SIZE B	DWG. NO. TAB20121	REV. A
DATE				SHEET 1 OF 1

8 7 6 5 4 3 2 1