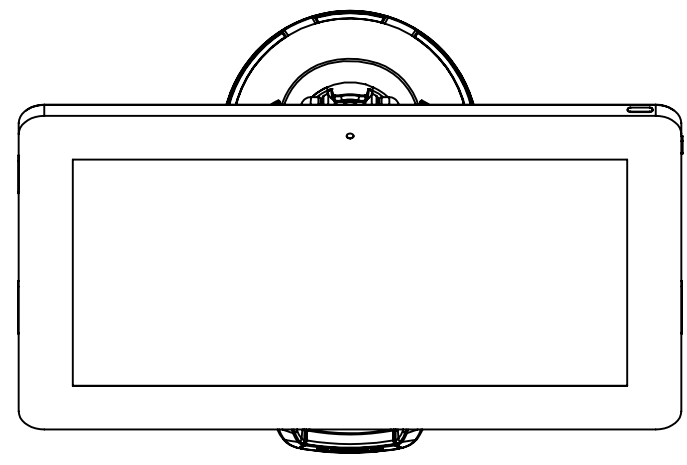
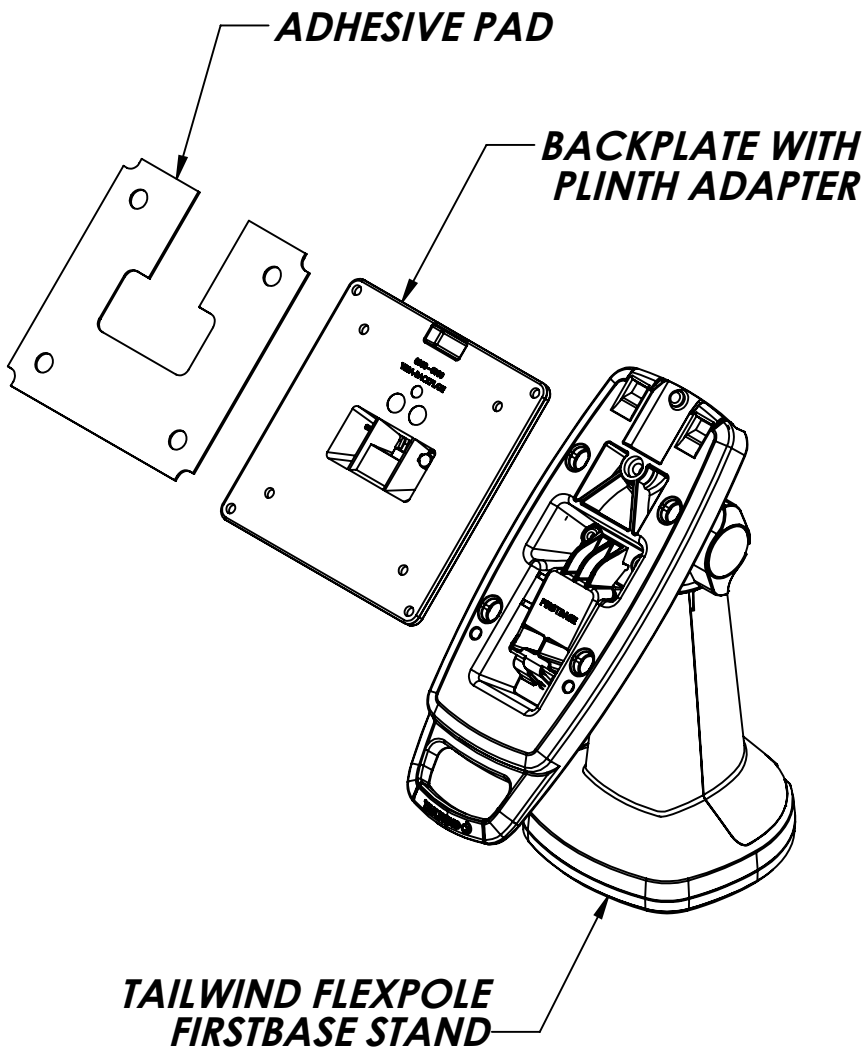
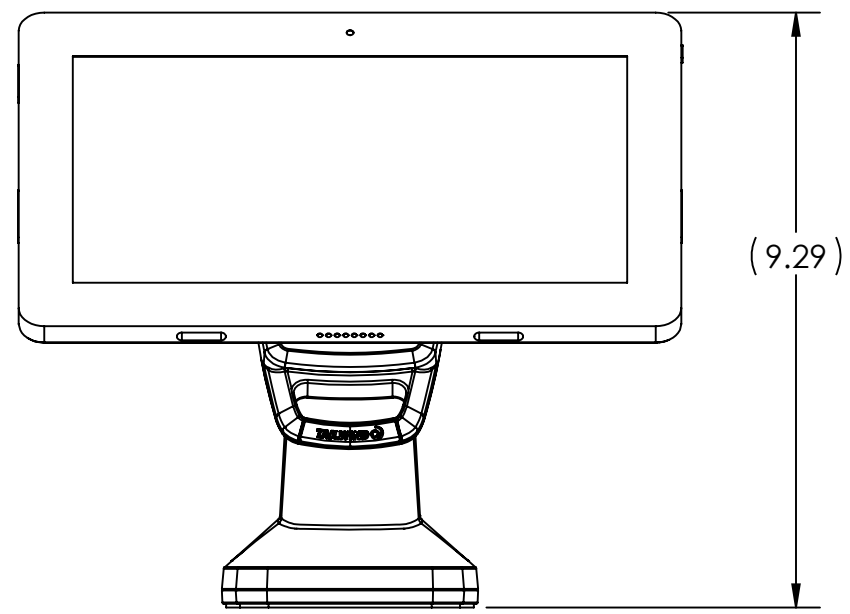
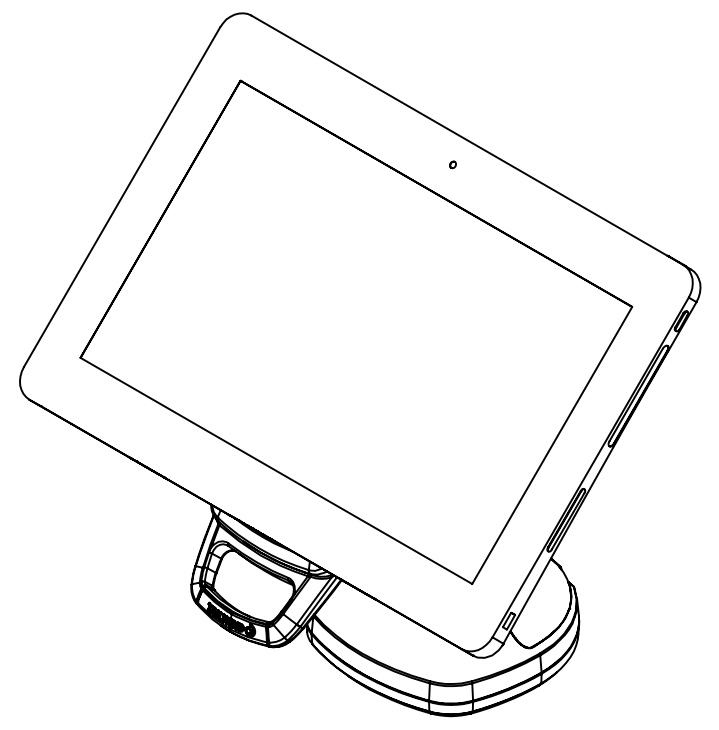


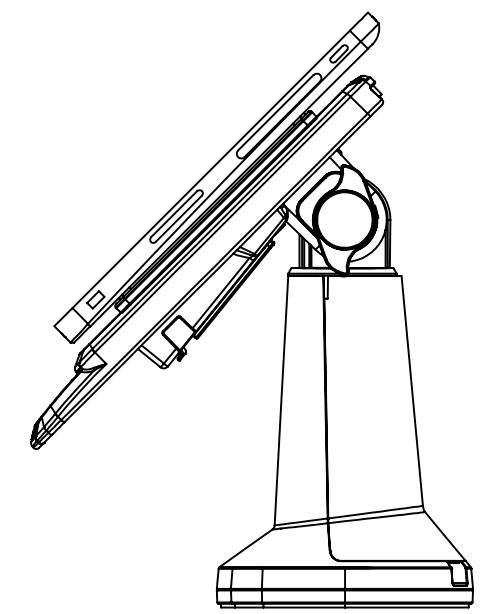
8 7 6 5 4 3 2 1



**TOP VIEW**




**FRONT VIEW**



**SIDE VIEW**

**CV + CI**

**CUSTOMER VERIFICATION**

REV.	DESCRIPTION	DATE	BY	CHK'D
A	INITIAL RELEASE	06/02/21	JVT	
DRAWN J. TERVEER				
DATE 6/2/2021				
CUSTOMER APPROVAL (SIGNATURE REQUIRED):		14451 Ewing Ave - Burnsville, MN 55306 952-767-1005		
ALL DIMENSIONS ARE IN INCHES		TITLE FLEXPOLE FIRSTBASE STAND		
DATE	SIZE B	DWG. NO. TAB40121	REV. A	
				SHEET 1 OF 1

8 7 6 5 4 3 2 1